

570A-1 Outdoor PIR Timer – Three wire IP66

The 570A-1 Outdoor PIR Timer is part of the Elkay family of switches, timers and detectors which save energy and increase convenience in and around your home or business premises.



Product description

This is an Outdoor IP66 rated electronic time delay sensor from the Elkay Illuminated family of timers. The 570A-1 Outdoor PIR Timer can be used to provide energy saving functionality by timing power source off to avoid unnecessary power usage (neutral required). The unit is switched ON by the detection of moving body heat within its detection range. When body movement is no longer detected, the unit will switch OFF after the adjustable time has elapsed.

This intelligent unit has a lux level adjustment, which measures the ambient light levels and prevents the lighting being switched ON when there is enough light in the area. It also provides variable timing selection.

Typical Product usage

The 570A-1 Outdoor PIR timer is commonly used to control all types of external loads from lighting to heating and is particularly popular for use for controlling outdoor loads where the load is only required in people's presence. It can be used for outdoor lighting or patio heaters provided it is positioned well away from the heat source. The product requires a neutral. Applications for suitable use include outdoor lighting such as LED lighting, LED floodlights, fluorescent and compact fluorescent lighting, amenity lighting, pond pumps and waterfalls and outdoor heating appliances*

Key features

- 16A any load type
- 3 wire (Live, Switch live and Neutral required)
- Blue Locator ring
- Re-set timing sequence at any time during countdown
- Manual override of the Lux Level setting
- Override OFF capability
- Can be interlinked with other 3 wire Outdoor master for 2-way switching.
- 56mm deep IP66 rated outdoor backboxes provided to maintain IP rating.
- 360° detection utilising an elliptical beam.
- 5 – 7 m detection range
- 16 Timer settings from 2 mins to 2 hours
- Recommendations: Used IP66 rated back box provided with nylon sealing washers. For final connections to the box, it is advisable to use the appropriate IP rated Cable glands, IP rated SWA glands. Connections should be tight, and a condensation drain hole can be drilled as an option where applicable and at the discretion of the installer.

Technical Specification

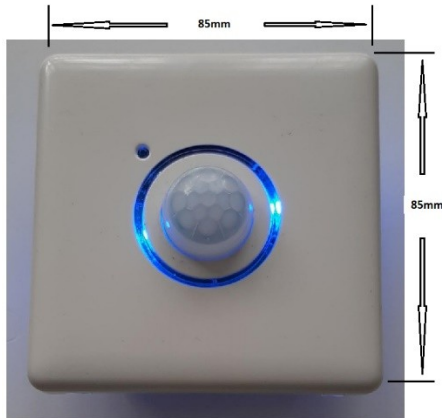
- **Voltage:** 240V a.c.
- **Frequency:** 50/60Hz
- **Timing:** 2 minutes to 2 hours
- **Detection Range:** 5-7m range with a 360° elliptical beam
- **Connections:** Live | Switch Live | Neutral |
- **Loading:** Up to 16A all load types**
- **Marking:** CE & UKCA
- **Terminal Capacity:** 2.5mm²
- **Standards:** BS EN 60669, 60669-1, 60669-2-1, 60669-2-3.
- **Power Consumption:** 0.65W
- **Material:** Flame Retardant ABS / UV Resistant
- **Compliances:** RoHS compliant, WEEE Policy, ISO9001, ISO14001.
- **Total Product Weight (each):** 245g
- **Total Plastic Weight (each):** 115.3g

*When using PIRs with outdoor heating sources it is advisable to ensure that the PIR sensor is in a position where it will not be affected **by** the heat source and false trigger and stay on

**All load type switching means that all load types such as LED, Fluorescent, Compact fluorescent, Resistive and Induction can be switched at 16Amps (3680W) without the need to derate.

Dimensions

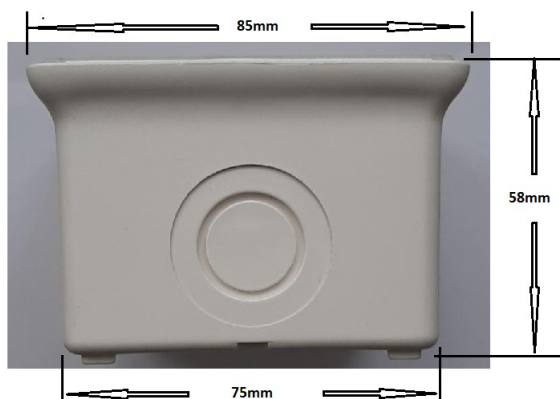
Front View



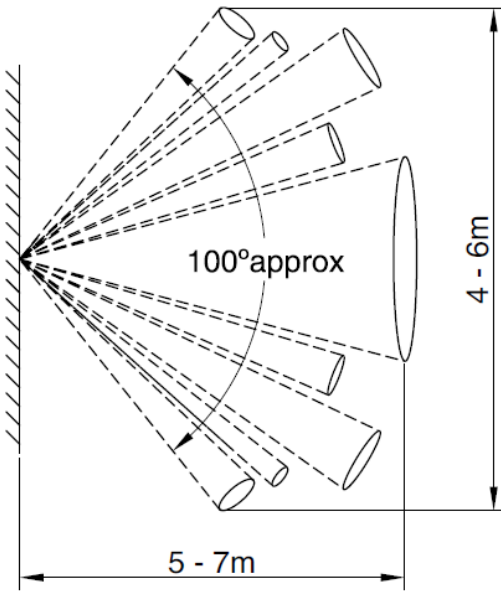
Side View



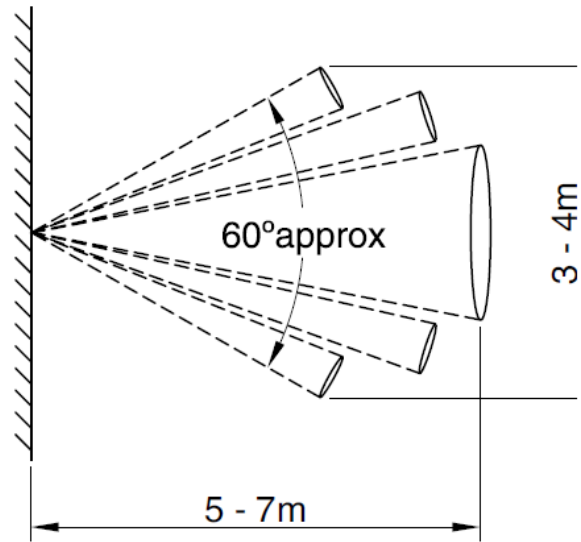
Back Box



Plan View

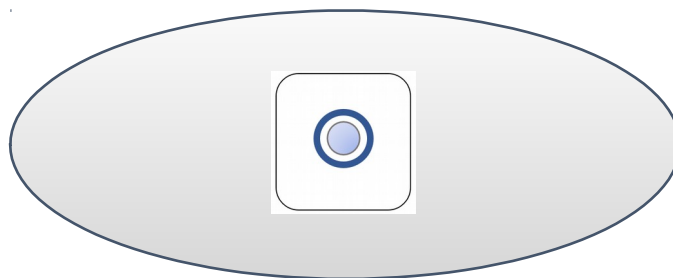


Side View



The elliptical beam gives 360° detection with a Plan view arc of 100° and Side view arc of 60° and detects infra red body heat passing or approaching the sensor.

Front View



Amendments Record

Action	Date
Draft Issue	07/06/2021

