

CLIFF

1/4" (6.35mm) JACK SOCKETS

Designed to receive both mono and stereo 1/4" jack plugs, these jack sockets are produced from grade 1, black nylon. Contacts are tin plated and are either solder tag or PC mounting.

General Specification

Withstand voltage: 2000V DC minimum.

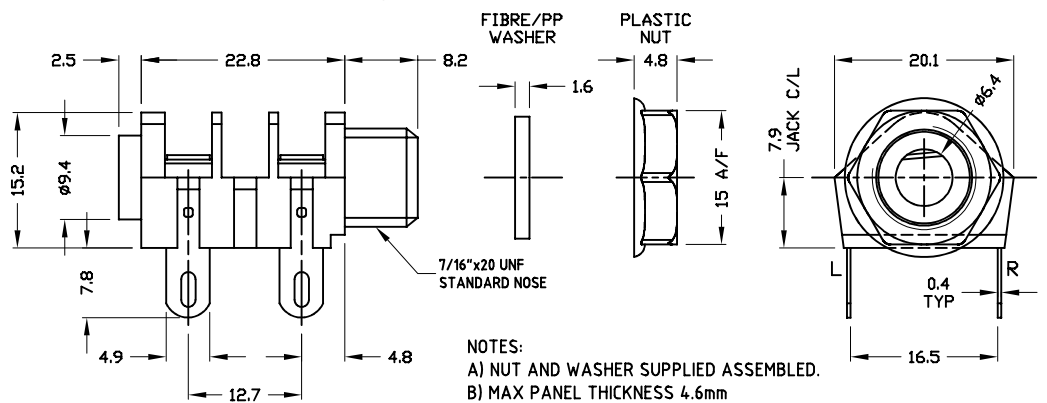
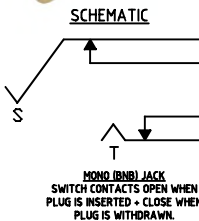
Maximum current: 5 amps.

Temperature rating: -10°C to +70°C.

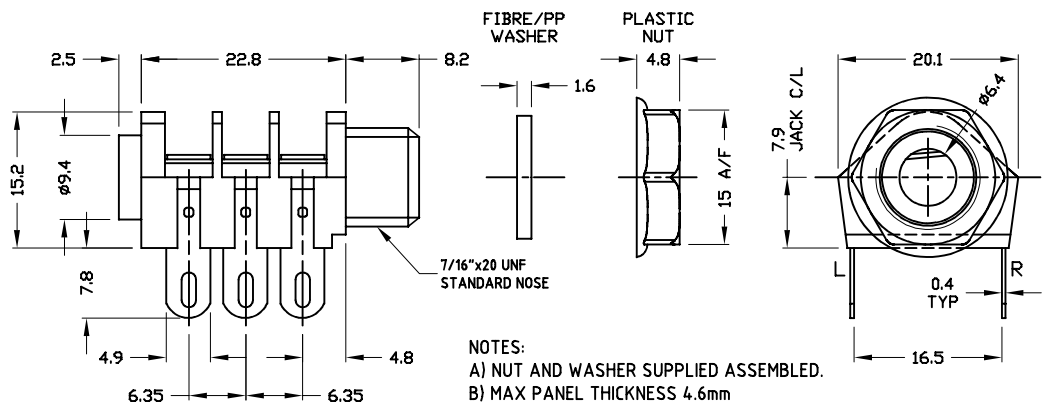
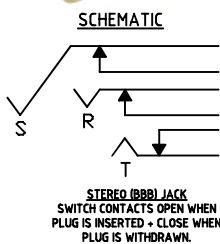
Life: Minimum 10,000+ operations.

Nominal contact resistance: < 50mΩ.

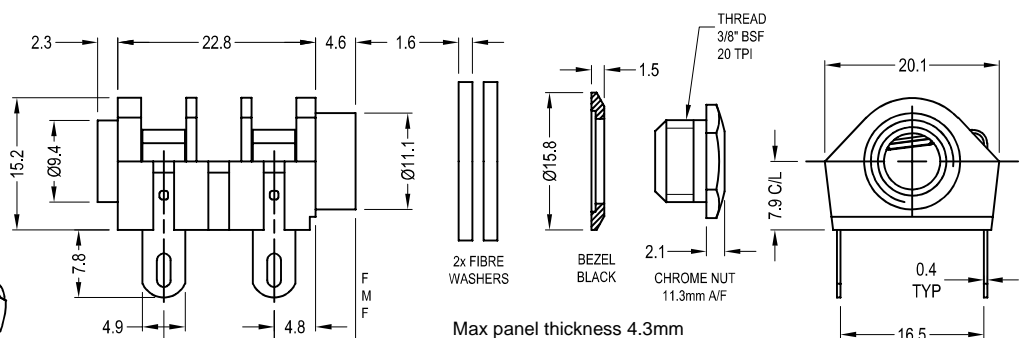
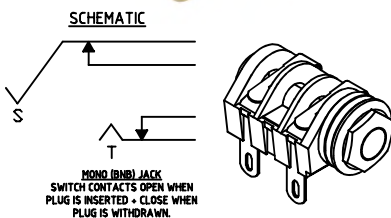
CL1160A - S2/BNB Mono Jack Socket, Solder Tags, Assembled



CL1220A - S2/BBB Stereo Jack Socket, Solder Tags, Assembled



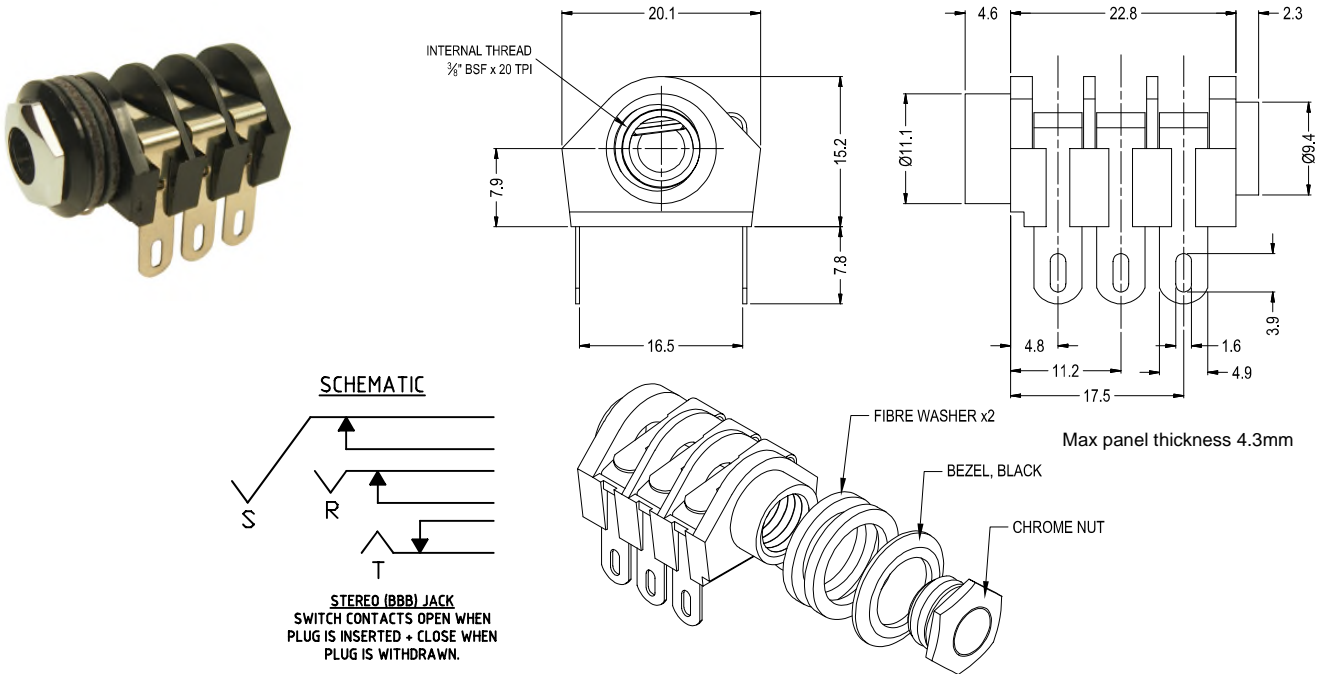
CL1298U - S4/BNB Mono Jack Socket, Solder Tags



CLIFF

1/4" (6.35mm) JACK SOCKETS

CL1322U - S4/BBB Stereo Jack Socket, Solder Tag



CL1334 - S4/BBB/PCC Stereo Jack Socket, PC Mounting

