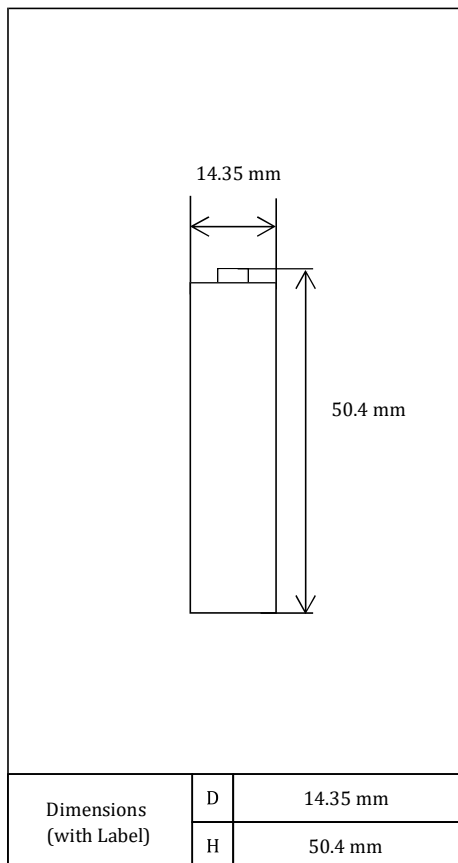




To PECE

Specifications



Type : Nickel-Metal Hydride Battery		Size : AA Consumer Type
Country of origin		Japan
Capacity ¹⁾	Minimum	1900mAh
Nominal Voltage		1.2V
Charging Current x Time	Fast Charge ²⁾	Max.1900mA
Ambient Temp.	Charge Condition	Fast Charge ²⁾
		0°C - 40°C
	Discharge Condition	
		-5°C - 50°C
Storage Condition	Less than 90days	-20°C - 40°C
	Less than 1year	-20°C - 30°C
Internal Impedance ³⁾ (after discharge to E.V.=1.0V)		Approx. 25mΩ(at 1000Hz)
Weight ⁴⁾		Approx.27g
Size ⁴⁾ :(Diameter) x (Height)		14.35(D) x 50.4(H) mm

- 1) Single cell capacity under the following condition.
Charge: 190 mA x 16h, Discharge: 380 mA (E.V = 1.0V at 25deg. C)
- 2) Use recommended of charging system
- 3) After a few charge and discharge cycles under the above first condition.
- 4) With label