



Product / Process Change Notification (PCN)

- Major change
 Minor change

| | |
|---|---|
| <p>PCN #: PCN_IndTIS_20220729</p> <p>Affected Series: WE-TIS; 7447471xxx</p> <p>PCN Date: April 29, 2022</p> <p>Effective Date: July 29, 2022</p> | <p>Change Category:</p> <p><input checked="" type="checkbox"/> Equipment / Location <input type="checkbox"/> General Data <input type="checkbox"/> Material <input type="checkbox"/> Process <input type="checkbox"/> Product Design <input checked="" type="checkbox"/> Shipping / Packaging <input type="checkbox"/> Supplier <input type="checkbox"/> Software</p> |
| <p>Contact: Product Management</p> <p>Phone: +49 (0) 7942 - 945 5001</p> <p>Fax: +49 (0) 7942 - 945 5179</p> <p>E-Mail: pcn.eisos@we-online.com</p> | <p>Data Sheet Change:</p> <p><input checked="" type="checkbox"/> Yes <input type="checkbox"/> No</p> <p>Attachment:</p> <p><input checked="" type="checkbox"/> Yes <input type="checkbox"/> No</p> |

Description and purpose of change:
 There will be two changes for the articles 7447471013, 7447471022 and 7447471033 of the product series WE-TIS.

- To increase the production capability, Würth Elektronik will move the production to a new production site.
- Due to packaging optimizations, Würth Elektronik will change the tray packaging type.



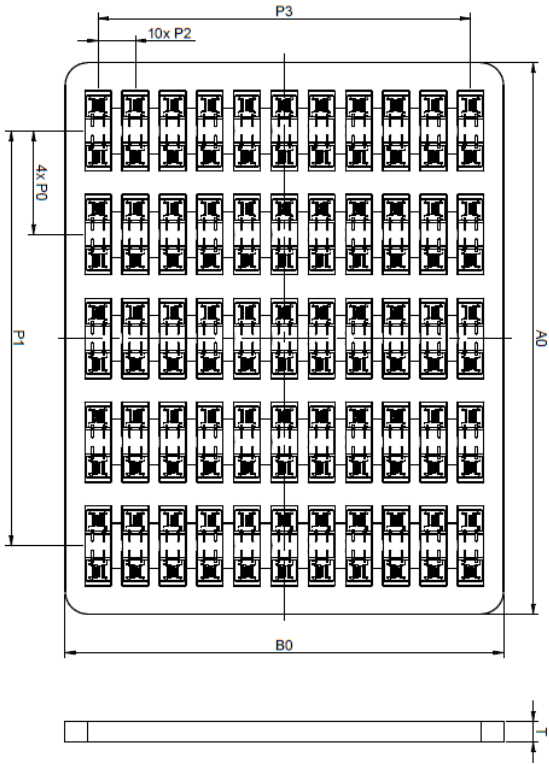
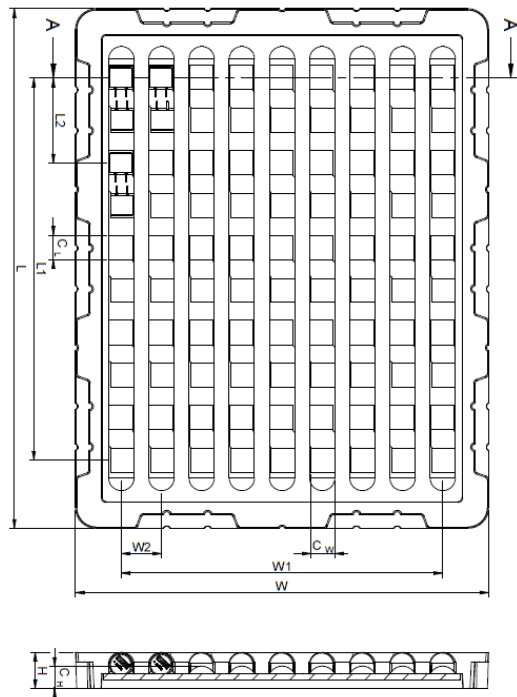
All products with date code 2022-07-29 or later, will be affected by these changes.
 There will be no change in form, fit, function, quality or reliability of the product.

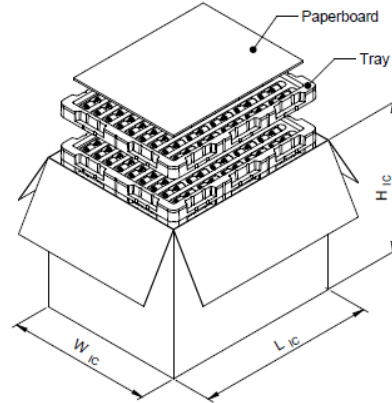
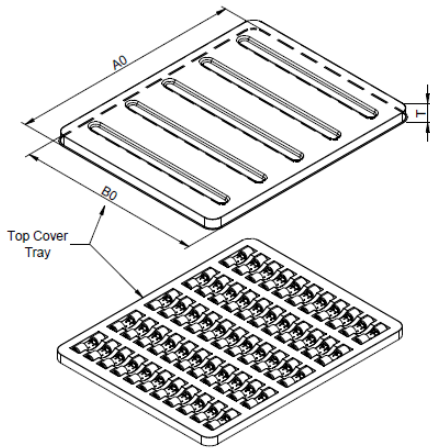
Detail of Change:

- The new production site can be identified by the first three digits of the lot number

| Already established production sites | New production site |
|---|---|
| Lot number beginning with 227 Country of origin: China | Lot number beginning with 321 Country of origin: China |
| Lot number beginning with 363 Country of origin: China | |

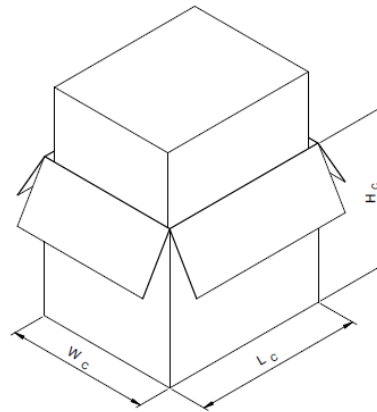
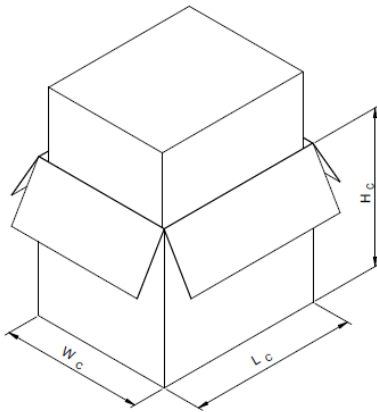
2. Details about the packaging change can be seen below

| Before change | After change | | | | | | | | | | | | | | | | | | | | | | | | | | | | | | | | | | | | | | | | | | | | | | | | | | | | | | | | | | | | | | | | | | | | | | | | |
|--|--|---------|---------|---------|-------------|----------|--------|------|------------------------------------|------------------------------------|-----------|------|------|------|------|------|------|------|--|--|------|------|--------|--------|-------|--------|-------|--------|------|---------|---|--|--------|---------|---------|---------|--------|---------|-----------|------|------|------|------|------|------|-------|--------|--------|-------|-------|--------|--------|--|---------|---------|--------|---------|-------------|----------|-----------|------|------|------|------|--|--|-------|-------|-------|-------|-------|----|----|
|  |  | | | | | | | | | | | | | | | | | | | | | | | | | | | | | | | | | | | | | | | | | | | | | | | | | | | | | | | | | | | | | | | | | | | | | | | | |
|  |  | | | | | | | | | | | | | | | | | | | | | | | | | | | | | | | | | | | | | | | | | | | | | | | | | | | | | | | | | | | | | | | | | | | | | | | | |
| <table border="1" style="width: 100%; border-collapse: collapse;"> <thead> <tr> <th></th> <th>A0</th> <th>B0</th> <th>P0</th> <th>P1</th> <th>P2</th> <th>P3</th> <th>T</th> <th>Tray</th> <th>VPE / packaging unit pcs.</th> </tr> </thead> <tbody> <tr> <td>tolerance</td> <td>typ.</td> <td>typ.</td> <td>ref.</td> <td>ref.</td> <td>ref.</td> <td>ref.</td> <td>ref.</td> <td></td> <td></td> </tr> <tr> <td>size</td> <td>1111</td> <td>244.00</td> <td>194.00</td> <td>45.50</td> <td>182.00</td> <td>16.30</td> <td>163.00</td> <td>9.80</td> <td>PET 110</td> </tr> </tbody> </table> | | A0 | B0 | P0 | P1 | P2 | P3 | T | Tray | VPE / packaging unit pcs. | tolerance | typ. | typ. | ref. | ref. | ref. | ref. | ref. | | | size | 1111 | 244.00 | 194.00 | 45.50 | 182.00 | 16.30 | 163.00 | 9.80 | PET 110 | <table border="1" style="width: 100%; border-collapse: collapse;"> <thead> <tr> <th></th> <th>L (mm)</th> <th>L1 (mm)</th> <th>L2 (mm)</th> <th>CL (mm)</th> <th>W (mm)</th> <th>W1 (mm)</th> </tr> </thead> <tbody> <tr> <td>Tolerance</td> <td>typ.</td> <td>typ.</td> <td>typ.</td> <td>typ.</td> <td>typ.</td> <td>typ.</td> </tr> <tr> <td>Value</td> <td>245,00</td> <td>180,00</td> <td>40,00</td> <td>12,20</td> <td>195,00</td> <td>151,20</td> </tr> <tr> <th></th> <th>W2 (mm)</th> <th>CW (mm)</th> <th>H (mm)</th> <th>CH (mm)</th> <th>Qty. (pcs.)</th> <th>Material</th> </tr> <tr> <td>Tolerance</td> <td>typ.</td> <td>typ.</td> <td>typ.</td> <td>typ.</td> <td></td> <td></td> </tr> <tr> <td>Value</td> <td>18,90</td> <td>11,60</td> <td>17,00</td> <td>11,00</td> <td>90</td> <td>PS</td> </tr> </tbody> </table> | | L (mm) | L1 (mm) | L2 (mm) | CL (mm) | W (mm) | W1 (mm) | Tolerance | typ. | typ. | typ. | typ. | typ. | typ. | Value | 245,00 | 180,00 | 40,00 | 12,20 | 195,00 | 151,20 | | W2 (mm) | CW (mm) | H (mm) | CH (mm) | Qty. (pcs.) | Material | Tolerance | typ. | typ. | typ. | typ. | | | Value | 18,90 | 11,60 | 17,00 | 11,00 | 90 | PS |
| | A0 | B0 | P0 | P1 | P2 | P3 | T | Tray | VPE / packaging unit pcs. | | | | | | | | | | | | | | | | | | | | | | | | | | | | | | | | | | | | | | | | | | | | | | | | | | | | | | | | | | | | | | | | |
| tolerance | typ. | typ. | ref. | ref. | ref. | ref. | ref. | | | | | | | | | | | | | | | | | | | | | | | | | | | | | | | | | | | | | | | | | | | | | | | | | | | | | | | | | | | | | | | | | | |
| size | 1111 | 244.00 | 194.00 | 45.50 | 182.00 | 16.30 | 163.00 | 9.80 | PET 110 | | | | | | | | | | | | | | | | | | | | | | | | | | | | | | | | | | | | | | | | | | | | | | | | | | | | | | | | | | | | | | | | |
| | L (mm) | L1 (mm) | L2 (mm) | CL (mm) | W (mm) | W1 (mm) | | | | | | | | | | | | | | | | | | | | | | | | | | | | | | | | | | | | | | | | | | | | | | | | | | | | | | | | | | | | | | | | | | | |
| Tolerance | typ. | typ. | typ. | typ. | typ. | typ. | | | | | | | | | | | | | | | | | | | | | | | | | | | | | | | | | | | | | | | | | | | | | | | | | | | | | | | | | | | | | | | | | | | |
| Value | 245,00 | 180,00 | 40,00 | 12,20 | 195,00 | 151,20 | | | | | | | | | | | | | | | | | | | | | | | | | | | | | | | | | | | | | | | | | | | | | | | | | | | | | | | | | | | | | | | | | | | |
| | W2 (mm) | CW (mm) | H (mm) | CH (mm) | Qty. (pcs.) | Material | | | | | | | | | | | | | | | | | | | | | | | | | | | | | | | | | | | | | | | | | | | | | | | | | | | | | | | | | | | | | | | | | | | |
| Tolerance | typ. | typ. | typ. | typ. | | | | | | | | | | | | | | | | | | | | | | | | | | | | | | | | | | | | | | | | | | | | | | | | | | | | | | | | | | | | | | | | | | | | | |
| Value | 18,90 | 11,60 | 17,00 | 11,00 | 90 | PS | | | | | | | | | | | | | | | | | | | | | | | | | | | | | | | | | | | | | | | | | | | | | | | | | | | | | | | | | | | | | | | | | | | |



| | A0 | B0 | T | Top Cover |
|-----------|------|--------|--------|-----------|
| tolerance | typ. | typ. | ref. | |
| size | 1111 | 245.00 | 195.00 | 10.00 PET |

| | LIC (mm) | WIC (mm) | HIC (mm) | No. of Tray (pcs.) | Qty. (pcs.) | Material |
|-----------|----------|----------|----------|--------------------|-------------|----------|
| Tolerance | typ. | typ. | typ. | | | |
| Value | 260,00 | 210,00 | 217,00 | 12 | 1080 | Paper |



| | LC (mm) | WC (mm) | HC (mm) | No. of Inner Carton (pcs.) | Qty. (pcs.) | Material |
|-----------|---------|---------|---------|----------------------------|-------------|----------|
| Tolerance | typ. | typ. | typ. | | | |
| Value | 275,00 | 232,00 | 255,00 | 1 | 1760 | Paper |

| | LC (mm) | WC (mm) | HC (mm) | No. of Inner Carton (pcs.) | Qty. (pcs.) | Material |
|-----------|---------|---------|---------|----------------------------|-------------|----------|
| Tolerance | typ. | typ. | typ. | | | |
| Value | 275,00 | 232,00 | 255,00 | 1 | 1080 | Paper |



Reliability / Qualification Summary:

Qualification according AEC-Q200 REVD Table5

- High Temperature Exposure / MIL-STD-202-108
- Temperature Cycling / JESD22 Method JA-104
- Biased Humidity / MIL-STD-202-103
- Operational Life / MIL-PRF-27
- External Visual / MIL-STD-883-2009
- Physical Dimension / JESD22 Method JB-100
- Terminal Strength(Leaded) / MIL-STD-202-211
- Resistance to Solvents / MIL-STD-202-215
- Mechanical Shock / MIL-STD-202-213
- Vibration / MIL-STD-202-204
- Resistance to Soldering Heat / MIL-STD-202-210
- ESD / AEC-Q200-002 or ISO/DIS10605
- Solderability(leaded) / J-STD-002
- Electrical Characterization / User Spec.
- Low Temperature Storage Life / JESD22-A119