



SOVEREIGN PRO 8-225

BASS / MID-RANGE DRIVER

8" / 203.2 mm

CHASSIS DIAMETER

450 W

PROGRAM POWER

55 Hz - 5 kHz

FREQUENCY RESPONSE

2" / 50.8 mm

VOICE COIL

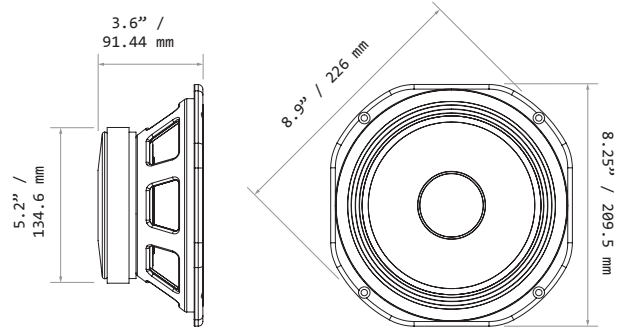
97 dB

SENSITIVITY (1W/ 1m)

5.5 mm Xmax

MAX. LINEAR EXCURSION

- + Excellent for compact two-way PA cabinets.
- + Superb vocal coverage and coherence when deployed in small format line array.
- + High output and low distortion.
- + Exceptional efficiency, power handling and frequency coverage from compact design.
- + Smooth and refined tone with extended usable frequency up to 5 kHz.
- + Can be used well as mid-range unit in small sealed enclosures as part of a larger system.
- + 2-Inch Copper voice coil.



GENERAL SPECIFICATIONS

Nominal Chassis Diameter	8" / 203.2 mm
Nominal Impedance ⁽¹⁾	8 Ohm
Minimum Impedance Zmin	7.8 Ω
AES Power Handling ⁽²⁾	225 W (A.E.S.)
Program Power	450 W
Peak Power (6dB Crest Factor)	900 W
Frequency Range ^(6dB)	55 Hz - 5 kHz
Sensitivity (1W/ 1m)	97 dB
Magnet Material	Ferrite
Magnet Weight	34 oz
Magnetic Gap Depth	0.31" / 8 mm
Flux Density	1 Tesla
Former Material	Glass Fibre
Voice Coil Material	Copper
Coil Winding Height	0.59" / 15 mm
Voice Coil Diameter	2" / 50.8 mm
Cone/ Dust Dome Material	Paper / Paper
Surround / Edge Termination	Polyvinyl Damped Multi Roll. Poly Cotton

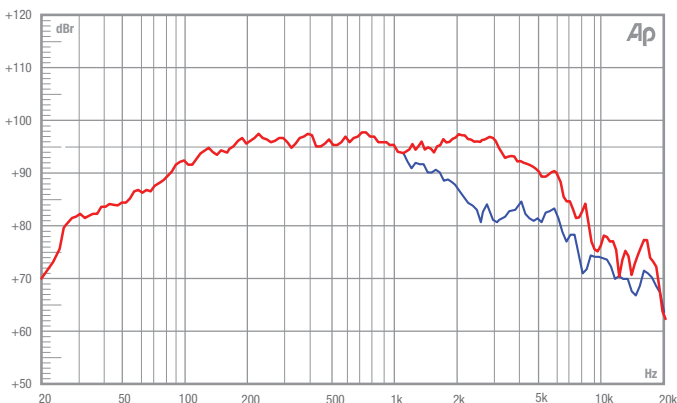
TECHNICAL & THIELE SMALL PARAMETERS

Fs	62 Hz
Re	6.1 Ω
Qms	4.3
Qes	0.42
Qts	0.38
Vas	22 Litres
Vd	0.118 Litres
Cms	0.318 mm/N
Bl	11 T/m
Mms	20.69 g
Xmax	5.5 mm
Sd	220 cm ²
Efficiency	1.25 %
Le (1k Hz)	1.2 mH
EBP	147.62 Hz
Effective Piston Diameter	6.5" / 165mm
Rec. Enclosure Volume	20 - 35 Litres

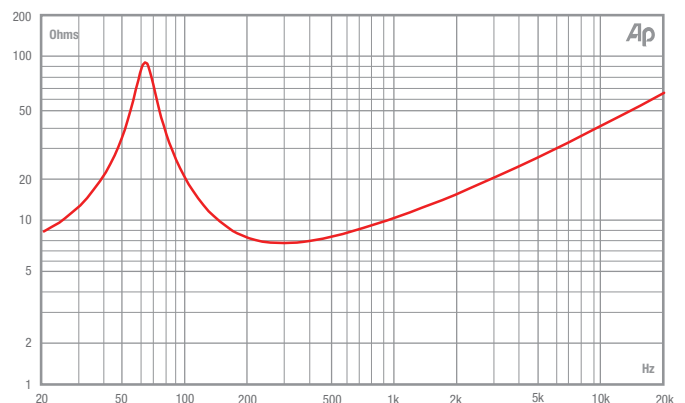
MOUNTING / SHIPPING INFORMATION

Overall Diameter	8.9" / 226 mm
Width Across Flats	8.25" / 209.5 mm
Depth	3.6" / 91.44 mm
Flange Height	0.28" / 7 mm
Baffle Hole Diameter F/M	7.33" / 186 mm
Baffle Hole Diameter R/M	N/A
Chassis Material	Die-cast Aluminium
Gasket Supplied	Front & Rear
Outer Fixing Holes	4x ø 5.5 mm on 214 mm PCD
Inner Fixing Holes	N/A
Connectors ⁽⁴⁾	Push-button Spring Terminals
Weight	6.9 lb / 3.13 Kg
Shipping Weight	8.5 lb / 3.86 Kg
Packing Carton Dimensions (mm)	(W) 235 (D) 235 (H) 130

FREQUENCY RESPONSE DATA⁽³⁾



IMPEDANCE



(1) Please enquire about alternative impedances.

(2) A.E.S. power handling test. Pink noise bandpass filtered at 12 dB per octave with cutoff frequencies of 55 Hz and 550 Hz. Driver mounted in free air, test signal applied at rated power for two hours.

(3) Half space response measured in a 965 Litre sealed box. Blue line = fundamental 45° off-axis. Please note that the frequency response measurements are supplied for comparison only and are not a measure of the low frequency performance which may be achieved in a fully optimised system.

(4) Positive voltage at red terminal causes forward motion of cone.