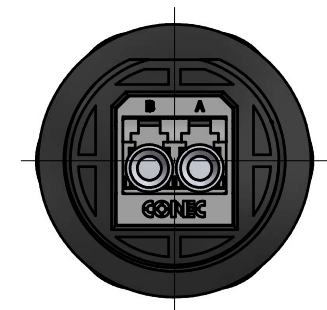
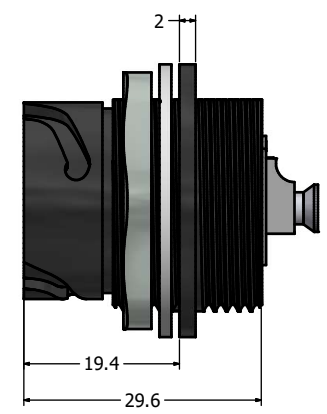
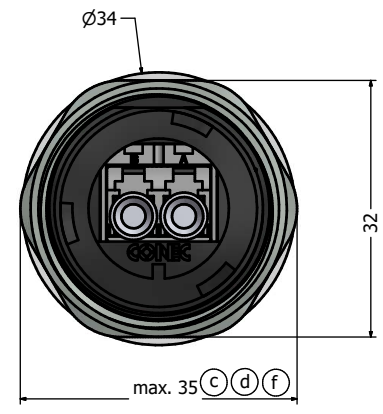
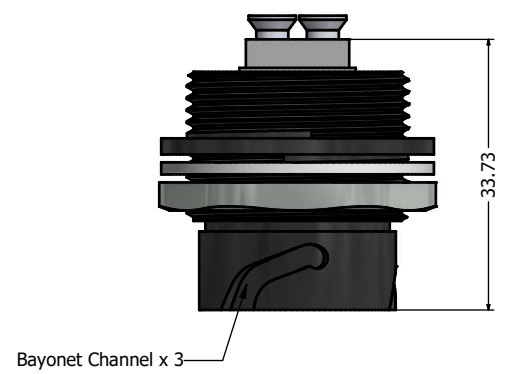
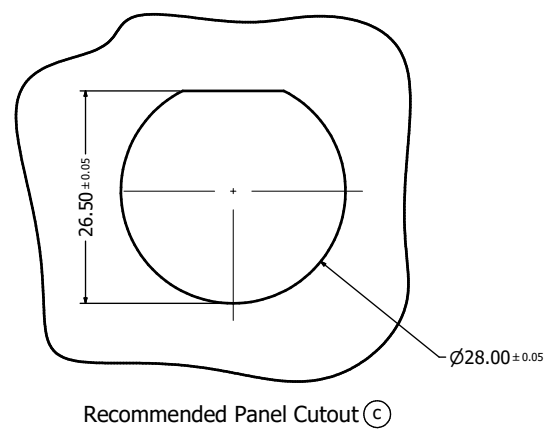
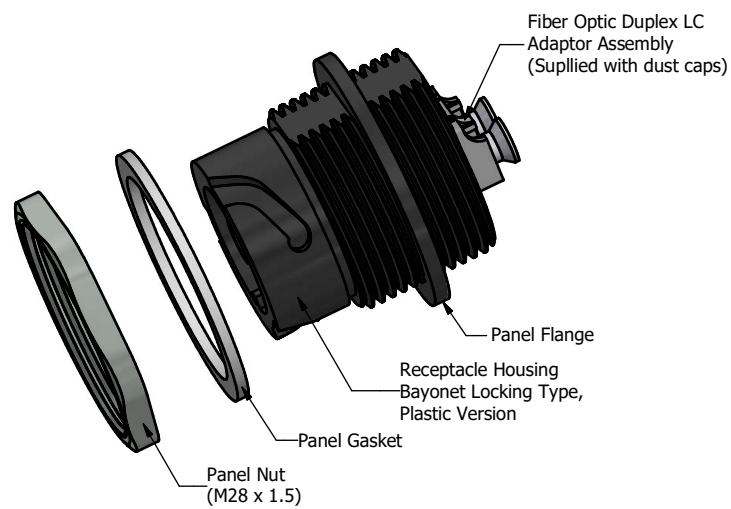


6 5 4 3 2 1



- Notes:**
- Material and Finish:
    - Receptacle Housing: Polyester (Black); UL94 V-0
    - Panel Nut: Brass, Finish: Nickel Plated
    - Panel Gasket: Silicone, Color: White
    - Duplex LC Adaptor Assembly:
      - Housing: Mod. PPO, UL94 V-0, Color: **SM Blue/MM Beige/APC SM Green** (b)
      - Alignment Sleeves: SM Ceramic/MM Phosphor Bronze
      - Dust Cap: PP, Color: Neutral transparent
      - Operating Temperature: -40~C to +85~C
  - Connector can be front or rear mounted to a maximum panel thickness of 3.2mm.
  - (e) IP67/IP68 rated when covered or fully mated with the appropriate mating connector
  - (d) Recommended Mounting Panel Nut torque is 20 to 25 lb-inch

Description	Part Number
Single Mode (SM)	17-300010
Multi Mode (MM)	17-300020
(C) APC Single Mode (APC SM)	17-300170

RoHS compliant

THIS DRAWING MAY NOT BE COPIED OR REPRODUCED IN ANY MANNER OR ON A THIRD PARTY WITHOUT WRITTEN PERMISSION. OWNERSHIP AND COPYRIGHT OF CONEC CORPORATION. DOT NOT ALTER CAD DRAWING BY HAND.	Customer:			Tolerance Unless otherwise specified		Autodesk Inventor	Scale: 1.5:1	Dim. in mm
	Name	Title	Approval Date	(d)	0 PLC ± 0.50 1 PLC ± 0.38 2 PLC ± 0.25 3 PLC ± 0.10 ANGLES ± 3°		Material: See Notes	
	1 x f	A21-0426	25.10.2021	Bub	2008	Date	Name	Title: IP67 Industrial Duplex LC Receptacle Assembly Kit Plastic Version
	e	1 x e	Dec/03/2015	Vincent Ke	Draw.	Jun. 06	Vincent Ke	
	d	3 x d	Sep/25/2013	Vincent Ke	Appd.	Jun. 06	J. Chaudry	
c	3 x c	Feb/25/2011	Vincent Ke	Norm.			Drawing No.: 17K1A002 Part No.: SEE PART NUMBER TABLE	
b	1 x b	May/28/2009	Vincent Ke	D-old				DIN A3
a	Original			CONEC®			Sheet 1/1	
Rev.	Changes	Date	Name					

6 5 4 3 2 1