

5746881-2 ✓ ACTIVE

AMPLIMITE | AMPLIMITE HDF

TE Internal #: 5746881-2

D-Sub Locking & Mounting, Screw Retainer Kit, Screw Length 7.62 mm [.3 in], AMPLIMITE HDF

[View on TE.com >](#)



Connectors > D-Shaped Connectors > D-Sub Accessories > D-Sub Locking & Mounting



D-Shaped Connector Accessories: **Screw Retainer Kit**

Screw Length: **7.62 mm [.3 in]**

Features

Product Type Features

Product Type	Accessory
D-Shaped Connector Accessories	Screw Retainer Kit

Mechanical Attachment

Screw Plating Material	Zinc
Screw Material	Steel
Screw Finish	Clear Chromate
Screw & Hole Thread Size	4-40
Screw Length	7.62 mm [.3 in]

Operation/Application

For Use With	Metal Shell and All Plastic Connectors (HDF)
--------------	--

Packaging Features

Packaging Quantity	1000
Packaging Method	Bag, Bulk

Product Compliance

[For compliance documentation, visit the product page on TE.com>](#)

EU RoHS Directive 2011/65/EU

Compliant with Exemptions

EU ELV Directive 2000/53/EC

Compliant with Exemptions

China RoHS 2 Directive MIIT Order No 32, 2016

Restricted Materials Above Threshold

EU REACH Regulation (EC) No. 1907/2006

Current ECHA Candidate List: JAN 2023
(233)Candidate List Declared Against: JUNE
2022 (224)

SVHC > Threshold:

Pb (.35% in Component Part)

Article Safe Usage Statements:Do not eat, drink or smoke when using this product. Wash thoroughly after
handling. Recycle if possible and dispose of the article by following all applicable
governmental regulations relevant to your geographic location.

Halogen Content

Low Halogen - Br, Cl, F, I < 900 ppm per
homogenous material. Also BFR/CFR/PVC
Free

Solder Process Capability

Not applicable for solder process capability

Product Compliance Disclaimer

This information is provided based on reasonable inquiry of our suppliers and represents our current actual knowledge based on the information they provided. This information is subject to change. The part numbers that TE has identified as EU RoHS compliant have a maximum concentration of 0.1% by weight in homogenous materials for lead, hexavalent chromium, mercury, PBB, PBDE, DBP, BBP, DEHP, DIBP, and 0.01% for cadmium, or qualify for an exemption to these limits as defined in the Annexes of Directive 2011/65/EU (RoHS2). Finished electrical and electronic equipment products will be CE marked as required by Directive 2011/65/EU. Components may not be CE marked. Additionally, the part numbers that TE has identified as EU ELV compliant have a maximum concentration of 0.1% by weight in homogenous materials for lead, hexavalent chromium, and mercury, and 0.01% for cadmium, or qualify for an exemption to these limits as defined in the Annexes of Directive 2000/53/EC (ELV). Regarding the REACH Regulation, the information TE provides on SVHC in articles for this part number is based on the latest European Chemicals Agency (ECHA) 'Guidance on requirements for substances in articles' posted at this URL: <https://echa.europa.eu/guidance-documents/guidance-on-reach>

Compatible Parts

Also in the Series | **AMPLIMITE HDF**

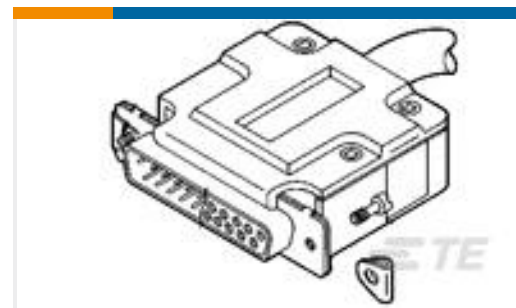
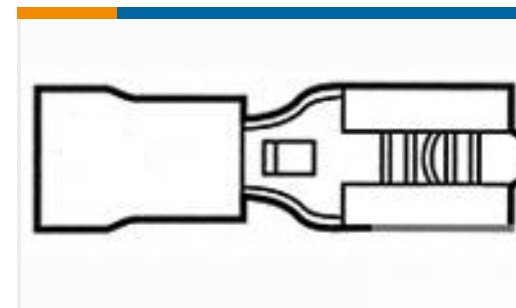


D-Sub Locking & Mounting(8)



IDC D-Sub Connectors(36)

Customers Also Bought

TE Part #1879234-4
SMF5 680R 5%TE Part #1-770007-0
UMNL II PIN AUSN/NI/BRTE Part #5207908-1
STRAIN RELIEF W/SCREW RET KITTE Part #9-160483-1
4,8 PIDG FASTON RECTE Part #LL01-1AA04
LL01 1/4" NPT 48" CABLE 80CTE Part #34114
SOLIS R 22-16COMM22-18MIL 5/16TE Part #34125
TERMINAL,SOLIS R 16-14 5/16TE Part #1-794616-6
FREE HANG DBL ROW HSG 16 POSTE Part #CH5298-000
PP000009

Documents

CAD Files

[3D PDF](#)

[3D](#)

Customer View Model

[ENG_CVM_CVM_5746881-2_A.2d_dxf.zip](#)

English

Customer View Model

[ENG_CVM_CVM_5746881-2_A.3d_igs.zip](#)



English

Customer View Model

[ENG_CVM_CVM_5746881-2_A.3d_stp.zip](#)

English

By downloading the CAD file I accept and agree to the [Terms and Conditions](#) of use.

Product Environmental Compliance

Product Compliance

English

Product Compliance

English

Instruction Sheets

Instruction Sheet (U.S.)

English