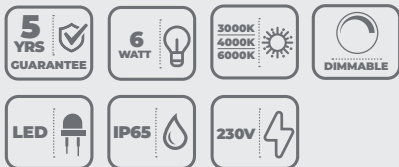




STELLAR

3CCT FIRE RATED DOWNLIGHT



Stellar is an ultra-slim downlight that delivers an extensive list of cutting edge features in one luminaire. Fire rated for both standard timber joist and i-joint ceiling construction, Stellar includes 3CCT selectable colour which can be changed without removing the fitting from the ceiling.

Features

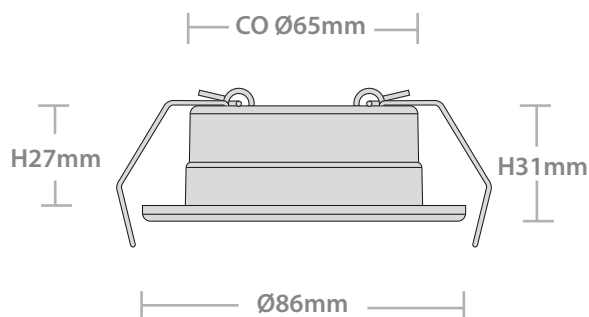
- 3CCT colour selectable - 3000K, 4000K & 6000K, operated from below the ceiling
- Fire rated to EN1365-2:2014 / BS476-21:1987 for standard timber and i-joint construction
- Acoustic rating designed to meet ISO10140 - 2 : 2010
- May be safely covered with thermal insulation
- Optional interchangeable bezels
- Tool-free plug & socket connection



Specification

Material:	Housing: Steel Bezel: Polycarbonate
Colour Temperature:	3CCT Selectable 3000K / 4000K / 6000K
Colour Finish	White RAL9003
CRI	Ra>80
LED Lifetime:	L70B50 50,000 Hrs
IP Rating:	IP65 (From below ceiling)
Working Temperature:	-20°C to 40°C
Beam Angle:	40°
Power Factor	0.9
Electrical Class	Class II
Guarantee:	5 Years

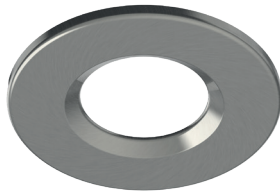
Dimensions



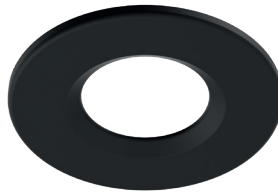
Product Code	Description	Wattage	Lumen Output	Barcode	Efficacy	Weight (Kg)
SR/W	Stellar with White Bezel	6W	600 lm	5055807623728	100 lm/W	0.2
SRB/C	Stellar Chrome Bezel Attachment	-	-	5055807623742	-	0.02
SRB/SC	Stellar Satin Chrome Bezel Attachment	-	-	5055807623759	-	0.02
SRB/B	Stellar Black Bezel Attachment	-	-	5055807623735	-	0.02



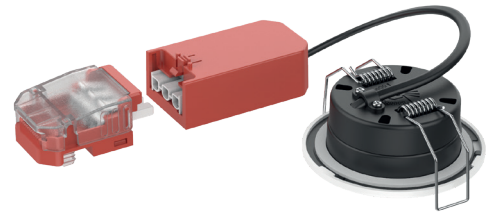
STELLAR CHROME BEZEL ATTACHMENT



STELLAR SATIN CHROME BEZEL ATTACHMENT



STELLAR BLACK BEZEL ATTACHMENT



TOOL-FREE CONNECTOR AND PLUG & SOCKET

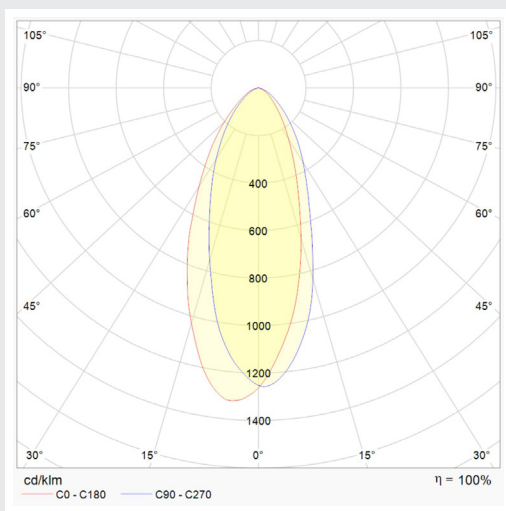
Maximum Fittings Per Circuit

Automatic Circuit Breaker Type:	B6	B10	B13	B16	B20	C10	C13	C16	C20
Rated Current:	6A	10A	13A	16A	20A	10A	13A	16A	20A
Cable (mm):	1.5	1.5	1.5	2.5	2.5	1.5	1.5	2.5	2.5
SR/W	120	200	260	320	400	200	260	320	400

Compatible Dimmers

Varilight V-PRO JQP401W	Please contact Red Arrow Technical Department for further details.
Varilight V-COM MKP400	
MK KI523LV	
BG DM400AP	

Light Distribution Curve



www.redarrowelectrical.co.uk

ENERGY

Red Arrow
SR/W

A
B
C
D
E
F
G

6 kWh/1000h

2021 No. 1095