



# PEAK

## MINI WALLPACK



Designed for building perimeters and walkways, Peak is a compact wall mounted luminaire with 45° angled body to direct light downwards where required. Supplied with a neat bezel trim and tamper resistant diffuser screws.

Peak is available with photocell and emergency options.

### Features

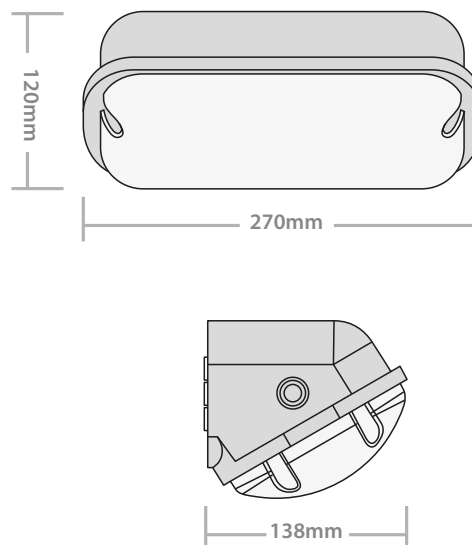
- Neat contemporary compact design
- Angled 45° body to reduce intrusive light
- Tamper resistant diffuser screws
- Photocell and emergency options



### Specification

<b>Material:</b>	Polycarbonate
<b>Colour Temperature:</b>	3000/4000K Selectable
<b>Colour Finish</b>	Black
<b>CRI</b>	Ra>80
<b>LED Lifetime:</b>	L80B50 30,000 Hrs
<b>IP Rating:</b>	IP65
<b>IK Rating:</b>	IK08
<b>Working Temperature:</b>	-10°C to 40°C (EM 5°C to 40°C)
<b>Power Factor</b>	Standard: 0.7 Emergency: 0.95
<b>Emergency Battery Type</b>	LifeP04
<b>Electrical Class</b>	Standard: Class II Emergency: Class I
<b>Guarantee:</b>	3 Years (Emergency Batteries 2 Years)

### Dimensions

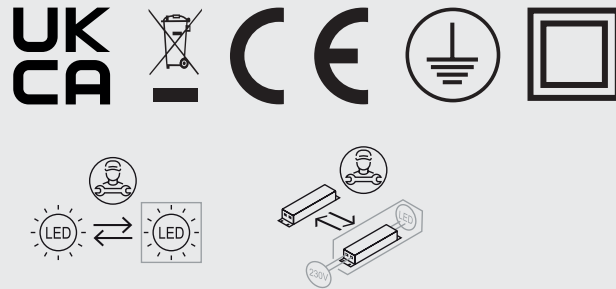
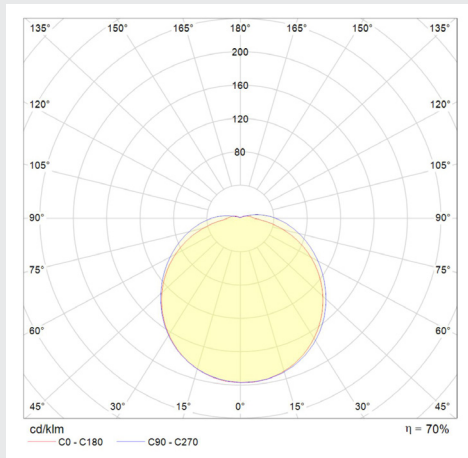


Product Code	Description	Sensor Type	Wattage	Lumen Output	Efficacy	Power Factor	Weight (Kg)	Barcodes
PK15-CCT	Peak	-	15W	1500 lm	100 lm/W	0.7	0.54	5055807623414
PK15E-CCT	Peak c/w 3Hr Emergency	-	15W	1500 lm	100 lm/W	0.95	0.58	5055807623421
PK15PC-CCT	Peak	Photocell	15W	1500 lm	100 lm/W	0.7	0.58	5055807623438
PK15EPC-CCT	Peak c/w 3Hr Emergency	Photocell	15W	1500 lm	100 lm/W	0.95	0.62	5055807623445

**Maximum Fittings Per Circuit**

Automatic Circuit Breaker Type:	B6	B10	B13	B16	B20	C10	C13	C16	C20
Rated Current:	6A	10A	13A	16A	20A	10A	13A	16A	20A
Cable (mm):	1.5	1.5	1.5	2.5	2.5	1.5	1.5	2.5	2.5
PK15-CCT	80	130	170	210	260	220	280	350	440
PK15E-CCT	70	120	155	190	235	200	260	330	420
PK15PC-CCT	65	125	160	200	245	210	270	340	430
PK15EPC-CCT	60	110	145	180	220	190	250	315	410

Light Distribution Curve



[www.redarrowelectrical.co.uk](http://www.redarrowelectrical.co.uk)