

Datasheet:



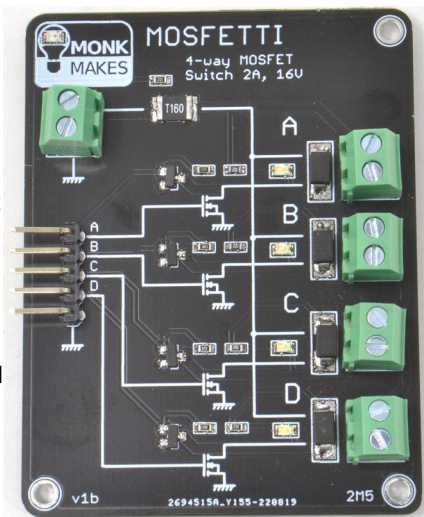
MOSFETTI

V1A

The Mosfetti is a 4 channel MOSFET switch designed for maker projects. It is supplied as a PCB with surface mount components attached and header pins and screw terminals as a kit for the customer to solder if required.

- Resettable 'polyfuse' to protect against over-current
- Power indicator LED
- LED indicator for each channel
- Low-side switching up to 2A per channel
- Flyback diode on each channel for inductive loads

Uses: RVs, model railroads, strobe lights, irrigation pumps...



Absolute Maximum Ratings

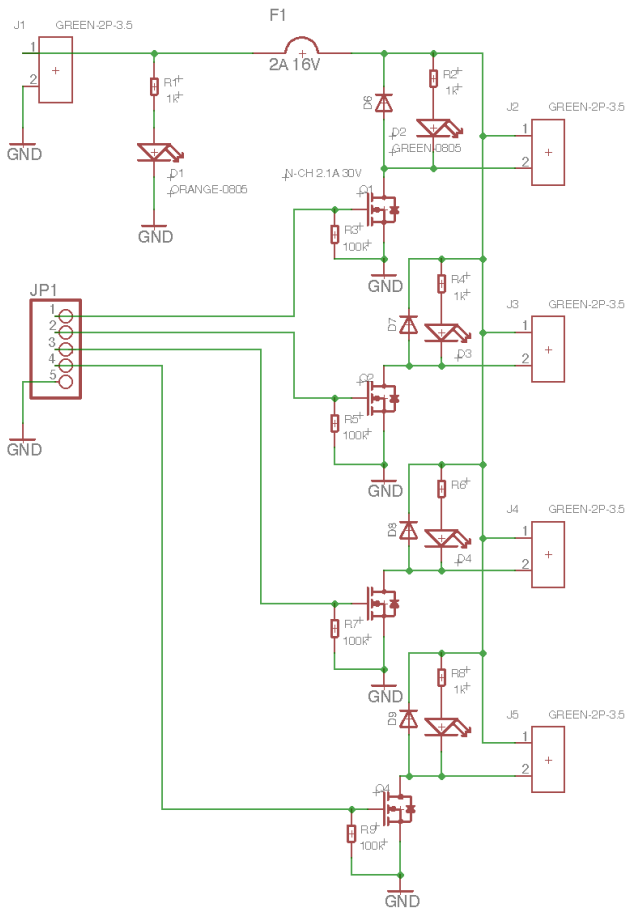
		Units
Max. total switched current (< 1 min)	2.5	A
Max. switched current continuous	2	A
Peak switched voltage	16	V

Electrical Characteristic

		Units
Quiescent power consumption at 12V, all channels off.	10	mA
Quiescent power consumption at 12V, all channels on.	50	mA
On Threshold voltage	2	V



Schematic v1b



Mechanical

