

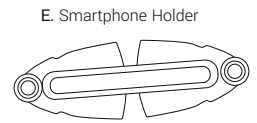
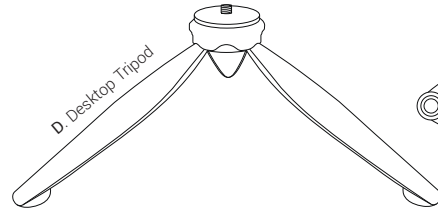
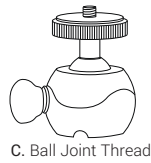
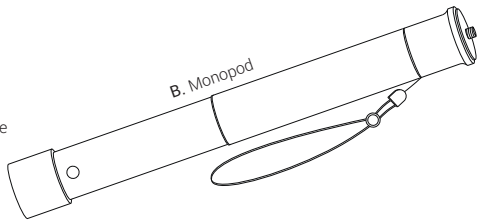
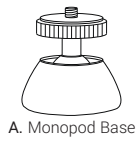
PRAKTICA

Tripod/Monopod Manual

What's in the box?

Thank you for choosing the PRAKTICA Table Tripod & Monopod Kit. In order to optimise the use of this product, we suggest reading this guide carefully.

There are 5 pieces to this Tripod/Monopod Kit; a monopod base (A), a monopod (B), a ball joint thread (C), a desktop tripod (D) & a smartphone holder (E). Use each object in different combinations to help take the perfect photograph on your camera or smartphone! Please note that piece A&B and C&D are screwed together in the box.



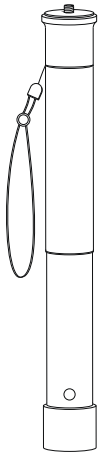
Getting Started

Each piece of the Tripod/Monopod kit has a 3/8" mounting screw thread or hole. Please see our suggested setups below to help take the perfect photograph.

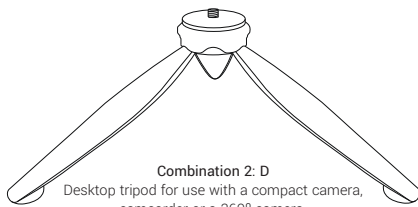
Please note:

- When the monopod is at its full extended height, we do not recommend using with a camera/smartphone with a weight exceeding 200g
- Smartphone holder is not compatible with a phone width exceeding 77mm
- Please do not leave the monopod/tripod unattended when in use
- To place your phone in the smartphone holder, fold out the 'arms', pull the ends and place your smartphone in while fully stretched.

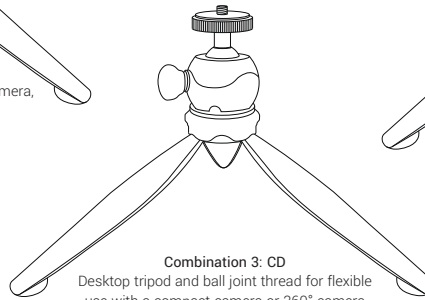
The monopod can be extended by twisting the rugged base in a clockwise direction so that 3 audible clicks can be heard. Then pull the handle until there are 6 visible sections and the monopod reaches a full extension length of 1200mm. Once extended ensure the monopod is locked by twisting in an anti-clockwise direction. When monopod is fully extended, do not leave unattended. *We do not recommend using the monopod with cameras or smartphones that weight over 200g as it may become unsteady.



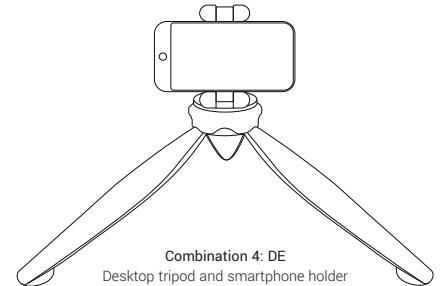
Handheld monopod for use with a compact/360° camera*



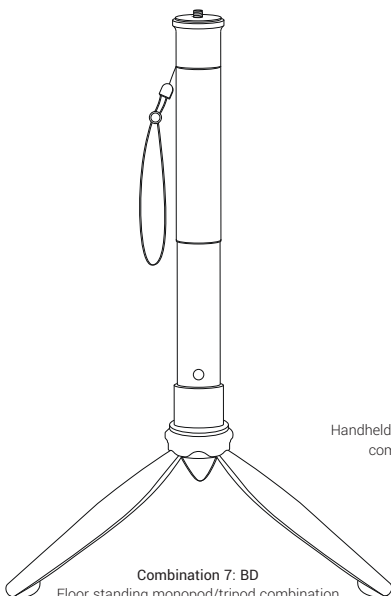
Desktop tripod for use with a compact camera, camcorder or a 360° camera.



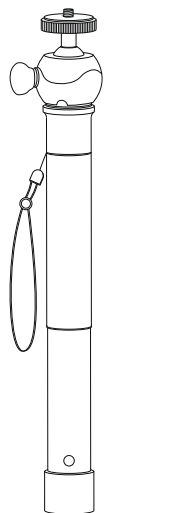
Desktop tripod and ball joint thread for flexible use with a compact camera or 360° camera



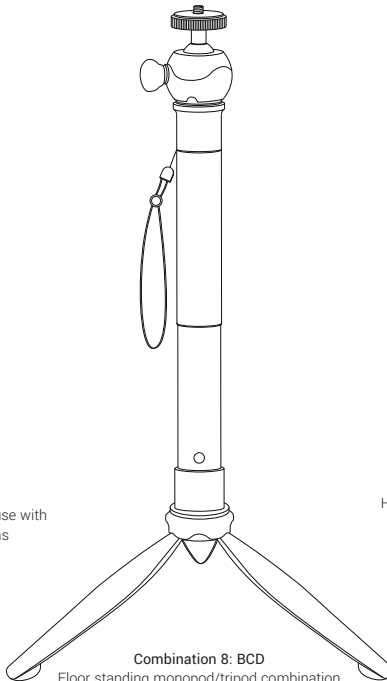
Desktop tripod and smartphone holder



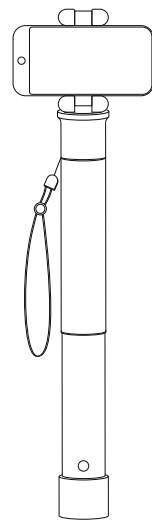
Floor standing monopod/tripod combination for use with compact and 360° cameras



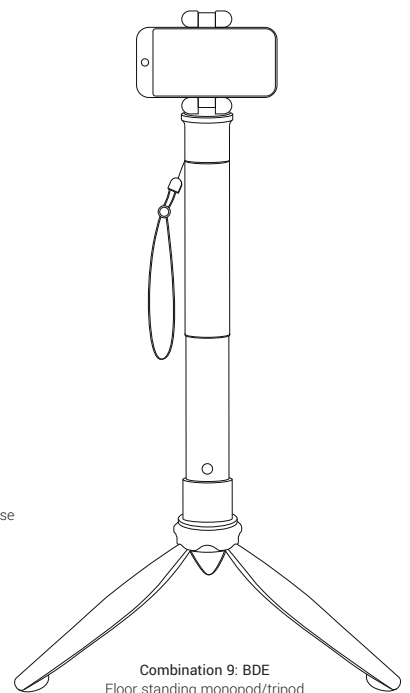
Handheld monopod for flexible use with compact and 360° cameras



Floor standing monopod/tripod combination for flexible use with compact and 360° cameras



Handheld monopod for use with smartphones



Floor standing monopod/tripod combination for use with smartphones