

RoHS
Compliant



Description

The product is of 12 Watt DC/DC Cigarette Lighter Style power supplies provide 12 Watts of continuous power across 2 USB Outputs. This product is ideal for automobile charging applications.

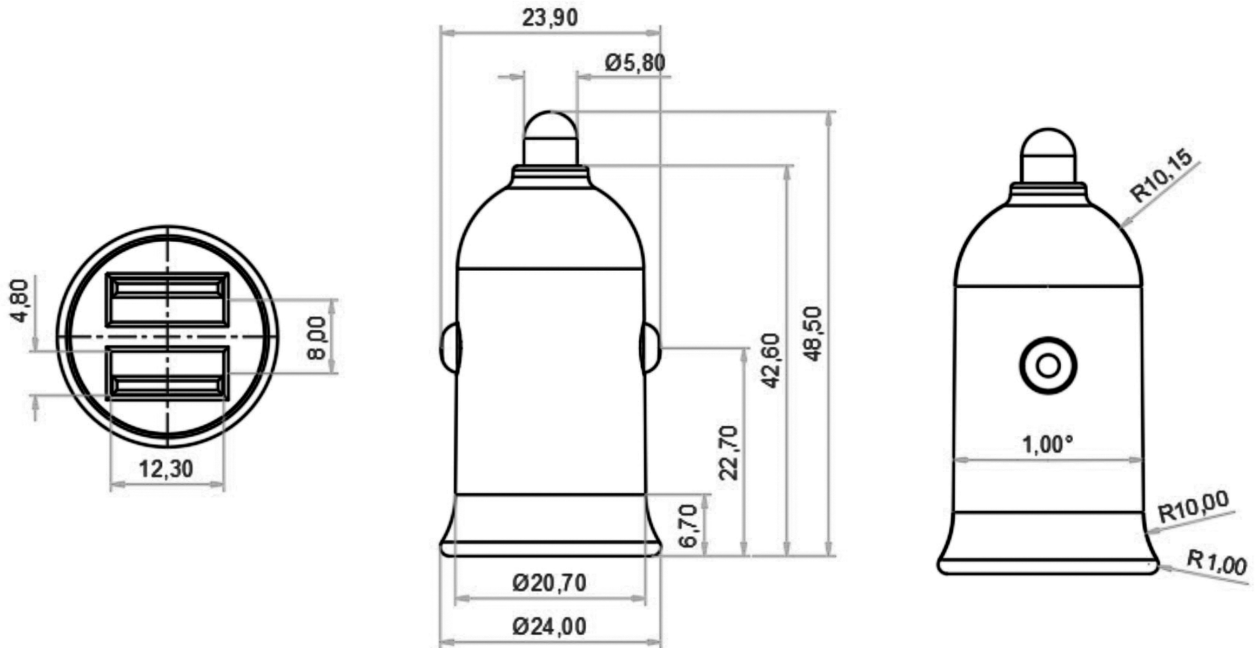
Features

- 12V DC Input
- Car Charger Style Design
- Small & Compact
- 2.4A Shared across 2 USB Outputs
- Over Load & Short Circuit Protections
- MTBF >30,000 hours

Specifications

Input Voltage	: 12V DC (Nominal)
Input Current	: <30mA (No Load)
Power Inlet	: Cigarette Lighter Style
Output Voltage	: 5V DC
Total Output Current	: 2.4 Amp Max Across 2 × USB outputs
Load Power	: 12 Watts
USB Output	: Dual Port 13×5mm USB socket
Protections	: Overload (Current / Power) Protection Short-Circuit Protection
Operating Temperature	: 0°C to +25°C
Storage Temperature	: -20°C to +60°C
Operating Humidity	: 20% to 90%
Storage Humidity	: 10% to 90%
MTBF	: 30000 Hrs Min.
Burn-In Test	: 4 Hours 25°C, Full Load
EMC Requirements	: EN 50498:2010

Diagram



Part Number Table

Description	Part Number
USB Car Charger, Dual Output, 5V DC, 2A	MP013466

Dimensions : Millimetres

Important Notice : This data sheet and its contents (the "Information") belong to the members of the AVNET group of companies (the "Group") or are licensed to it. No licence is granted for the use of it other than for information purposes in connection with the products to which it relates. No licence of any intellectual property rights is granted. The Information is subject to change without notice and replaces all data sheets previously supplied. The Information supplied is believed to be accurate but the Group assumes no responsibility for its accuracy or completeness, any error in or omission from it or for any use made of it. Users of this data sheet should check for themselves the Information and the suitability of the products for their purpose and not make any assumptions based on information included or omitted. Liability for loss or damage resulting from any reliance on the Information or use of it (including liability resulting from negligence or where the Group was aware of the possibility of such loss or damage arising) is excluded. This will not operate to limit or restrict the Group's liability for death or personal injury resulting from its negligence. Multicomp Pro is the registered trademark of Premier Farnell Limited 2019.

Newark.com/multicomp-pro
 Farnell.com/multicomp-pro
 sg.element14.com/b/multicomp-pro