




# multicomp PRO



**STATIC ELIMINATOR AC ION FAN  
MP741063**

# Safety and Warnings

 <b>warning</b>	Failure to comply with a WARNING may result in serious injury or death.
 <b>Attention</b>	Failure to comply with a ATTENTION may result in injury to the operator, or damage to the items involved.
 <b>Danger</b>	Danger high voltage, warning electric shock

## **Warning**

- READ ALL INFORMATION BEFORE USE.
- Power off when not in use or unattended. Place the soldering iron handle the iron stand, This tool must be placed on its stand when not in use.
- Keep this product away from flammable materials. When using, please inform other people in the area near the machine. Please do not touch the machine because of high temperature
- Do not apply to the same place for a long time.
- Be aware that heat may be conducted to combustible materials that are out of sight.
- Do not leave the appliance unattended when it is switched on.
- This appliance is not intended for use by persons (including children) with reduced physical, sensory or mental capabilities, or lack of experience and knowledge, unless they have been given supervision or instruction concerning use of the appliance by a person responsible for their safety.
- Children should be supervised to ensure that they do not play with the appliance.
- Cleaning and user maintenance shall not be made by children without supervision.
- If the supply cord is damaged, it must be replaced by the manufacturer, its service agent or similarly qualified persons in order to avoid a hazard.
- This appliance can be used by children aged from 8 years and above and persons with reduced physical, sensory or mental capabilities or lack of experience and knowledge if they have been given supervision or instruction concerning use of the appliance in a safe way and understand the hazards involved
- Children being supervised not to play with the appliance
- Cleaning and user maintenance shall not be made by children without supervision
- Children of less than 3 years should be kept away unless continuously supervised.
- CAUTION — Some parts of this product can become very hot and cause burns. Particular attention has to be given where children and vulnerable people are present.
- Symbol 5641 of IEC 60417-1 (do not cover) is marked on the appliance, its meaning is explained
- In order to avoid overheating, do not cover the heater.
- heater is not located immediately below a socket-outlet.

## **Attention**

- Before switching on the power supply, ensure that the voltage of the product conforms to the applicable local voltage to avoid permanent damage to the machine.
- Do not touch the fan and ion emitting needle when power is on.
- Do not fill stuffs through the air inlet and outlet location.
- The unit generates high voltage inside, please clean up ion needle by professionals.
- Do not use this product if you are inexperienced or have no sufficient necessary knowledge without the guidance of related personnel.
- Do not use this product under wet environment or with wet hands to prevent electric shock.
- To ensure the normal operation of this product's grounded function, make sure that the power supply is well grounded when connecting the machine.
- Before carrying out any cleaning or maintenance work, always make sure that the appliance is disconnected from the mains supply by unplugging the power cord from socket-outlet.
- Please use the accessories from the original factory when replacing the product parts.
- Do not play or do other similar dangerous actions when using this equipment, because it can easily lead to injury to others or yourself.
- Do not use it for any purpose other than the function of the product, to avoid machine damage or personal injury.
- Do not modify this product and its accessories, otherwise the original warranty will be invalidated or damage may occur to the product.
- When plugging and unplugging the power cord and handle plug, please hold the plug body and do not pull the cord.
- Do not hit the product or its accessories too hard during the operation; otherwise damage may occur to the product.

# Package list and description

## • Contents



• Ion Fan



• Power cord x 1

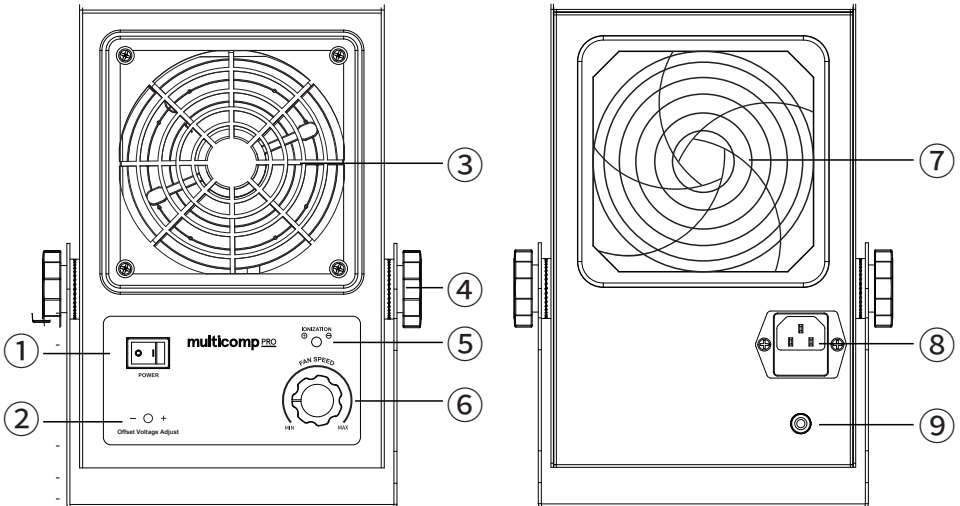


• Ground wire x 1



• User manual

## • Panel description



1. Power switch
2. Ion balance adjustment
3. Automatic cleaning device mask
4. Angle adjustable knob
5. LED indicator light
6. Fan speed knob
7. Dust-proof cover
8. Power interface
9. Metal ground rod

# Specification

- Technical parameters

Model	MP741063
Rated operating voltage	AC 220-240V~ 50/60Hz
Output voltage	AC 4.5KV
Ozone protection	<0.01 PPM
Power	15W
Air volume	$\leq 2.4\text{m}^3/\text{min}$
Static elimination time	$\leq 2\text{S}$
Ion balance	$\pm 10\text{V}$
Ion balance adjustable	yes
Effective range	400*1500mm
Ion emission needle	Stationary
Work conditions	Temperature 0°C~45°C; Relative humidity<75%RH (Suggestions 50%~70% humidit run with the best)
Dimension	146 (L) x85 (W) x238 (H) mm
Weight (N.W.)	$\approx 2.98\text{Kg}$
Installation	Desktop, Hanging, Clamping

# Operating instructions

## • Operation:

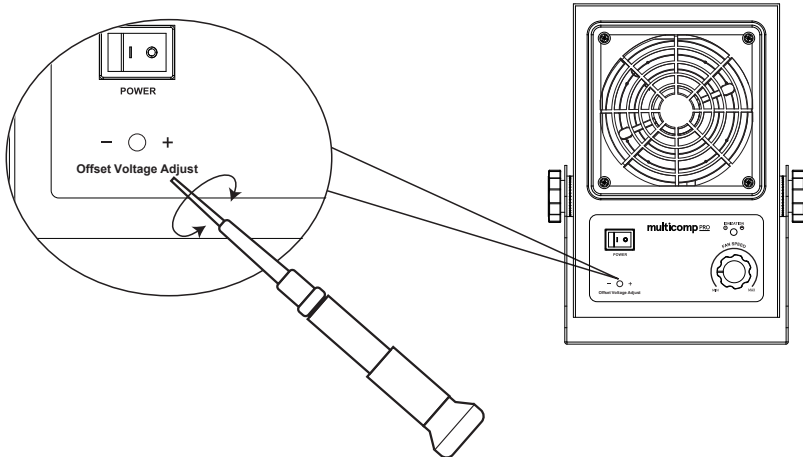
- ① Place or fix static eliminator ac ion fan in a stable working environment, connect the power cord to the power socket on the rear panel.
- ② Turn on the power switch, after the cleaning brush starts to work for 3-5 seconds, the static eliminator ac fan will enter normal operation and the indicator light will be displayed as green.

## • Air volume adjustment:

- Adjusting using clockwise rotation to add air volume, counter clockwise to reduce volume.

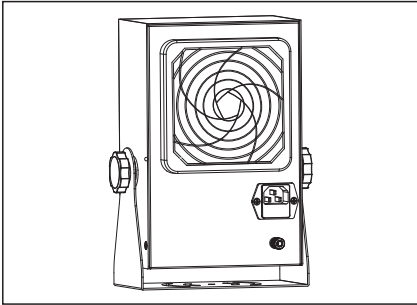
## • Adjust ion balance:

- If the ion balance voltage of the device exceeds the technical parameter requirements, it is necessary to adjust the ion balance voltage. Use the special adjusting tool or a small flat head screwdriver to align with the corresponding adjustment port. Adjust the voltage in the direction of "+" and "-" marked on the casing according to the requirements as shown in the figure below:

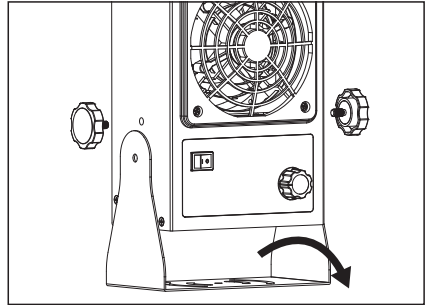


# Change ion launcher:

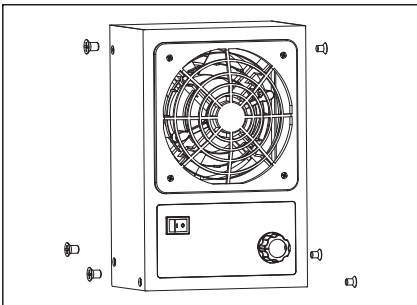
**⚠ Note:** The ion launcher can be changed according to usage, otherwise it will have a serious impact on static electricity elimination ability.



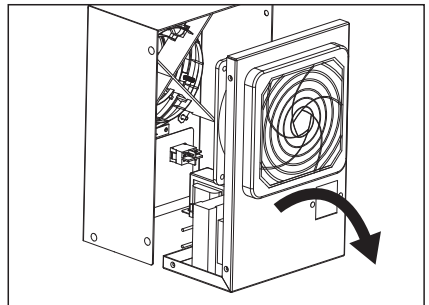
① After power off, wait for ion emission needle to discharge for 5 mins;



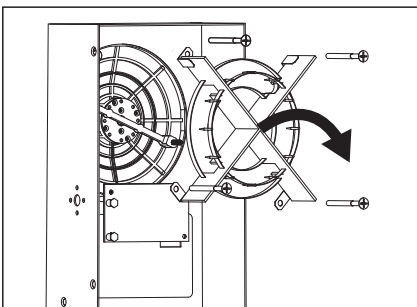
② Disassemble static eliminator ac ion fan's fixed bracket;



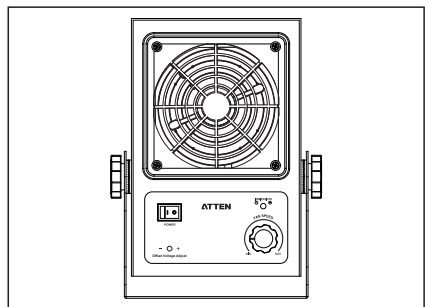
③ Remove the screws on the casing sides;



④ Remove wire rod and the casing of the machine;



⑤ Remove the ion launcher screws, replace new ion launcher; (Please use only approved manufacturers replacements)

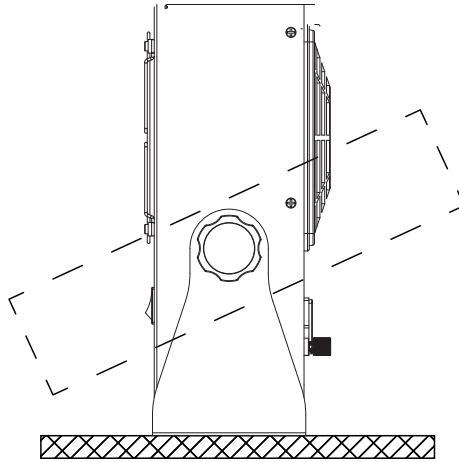


⑥ After finishing ion launcher replacement, reassemble the device by refitting in reverse order .

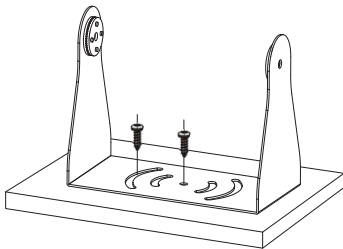
## Adjust angle of static eliminator ac ion fan:

- The orientation of the air outlet can be adjusted according to the operating environment, with 10° as one gear and 0~265° air outlet adjustable.

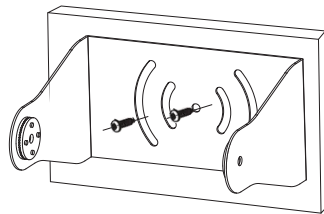
- It is recommended that the distance between the static eliminator ac ion fan and the workplace between 30cm and 90cm. If the static electricity need to be neutralized quickly, the recommended distance is 15cm.
- Under working, try to make the ion wind cover a large area of the work place. The direction of the ion wind can be adjusted by tilting the fan.



- According to the use environment, the ion fan bracket supports placed on the table or hung vertically.




Desktop



Wall Mount

# Static eliminator ion fan maintenance

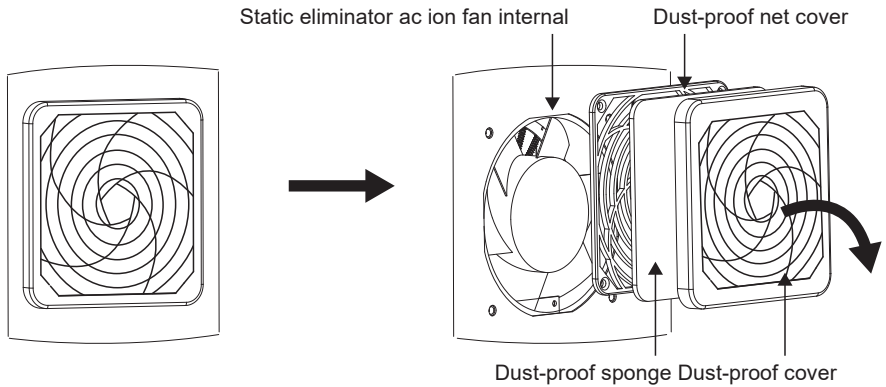
- Ion emitting needle change and clean

 <b>Danger</b>
<ul style="list-style-type: none"><li>• The unit generates high voltage inside, professionals needed when change or clean up ion needle, turn off power before clean, and wait the ion emitting needle discharge for 5 mins.</li></ul>

- Clean dust-proof cover:

Remove the cover dust-proof cover and dust-proof sponge from the static eliminator ac ion fan, and clean it with a soft brush, cloth or ultrasonic equipment.

Static eliminator ac ion fan internal can be cleaned with a soft brush, cloth or air gun.

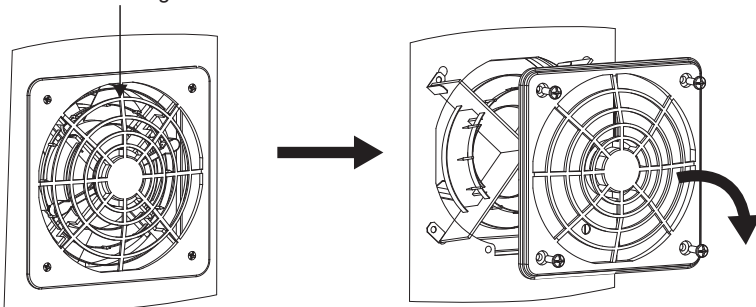


- Automatic cleaning device:

Remove the automatic cleaning device from the static eliminator ac ion fan, after the ion emitting needle has completely discharged, clean it with a soft brush, cloth or ultrasonic equipment.

 <b>Note: The ion emitting needle is sharp, pay attention to safety when cleaning.</b>
---

Loosen the screws and remove automatic cleaning device.





# Maintenance

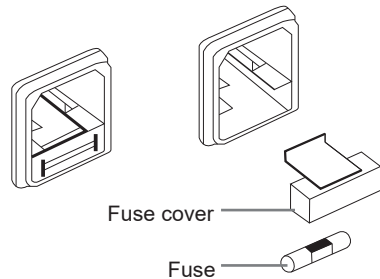
## ⚠ Warning

- This device should be maintained by qualified electric technician or service personnel qualified to check the fault or clean the machine.
- Before carrying out any cleaning or maintenance work, always make sure that the appliance is disconnected from the mains supply by unplugging the power cord from socket-outlet.

Description	Reason	Guide
Unable to start	Fuse unequipped or damaged	Check if the fuse is damaged (if so, please use identical type and rating as original)
	Motherboard fault	Please contact your supplier for assistance.
Reduction in electrostatic removal capacity	High voltage pack anomaly	Please contact your supplier for assistance.
	Ion emitting covering dust affects performance	Cleaning ion emitting needle

### ● Changing fuse:

- After power off , unplug the power cord from the power receptacle;
- Remove the fuse cover and remove the fuse;
- Replace new fuse; (Please use the accessories from the original factory)
- Put the fuse cover back.



### INFORMATION ON WASTE DISPOSAL FOR CONSUMERS OF ELECTRICAL & ELECTRONIC EQUIPMENT.

When this product has reached the end of its life it must be treated as Waste Electrical & Electronic Equipment (WEEE). Any WEEE marked products must not be mixed with general household waste, but kept separate for the treatment, recovery and recycling of the materials used. Contact your local authority for details of recycling schemes in your area.



Made in China  
 PO Box 13362 Dublin 2  
 LS12 2QQ  
 Man Rev 1.0