

Brad M12 Ultra-Lock 2.0 >

Brad M12 Ultra-Lock 2.0 cordsets and receptacles meet the IEC 61076-2-010 standard and provide shielded and unshielded options in an easy-to-assemble interface, delivering increased productivity and cost savings while surpassing the performance and reliability of traditional threaded connectors.

ADVANTAGES AND FEATURES

Enables simple and fast connections that cannot be either too tight or too loose with an operator-independent connection that features reliable, field-proven push-pull technology

Affords push-click operation and delivers proven protection against water and dust with an IP67 or IP69k protection rating depending on cable type

Allows customers to easily change between Ultra-Lock and traditional D-code threaded connection styles as needed due to the universal, industry-standard M12 interface

Interface	M12
Industry Standard	IEC 61076-2-010
Connector	Ultra-Lock Shielded or Unshielded
Cable	PUR, PVC, weld-slag oil-resistant (WSOR) TPE
Protection	IP69k (22 AWG shielded cable), IP67 (all other cables)

Delivers rugged, high-flex and high-torsion performance over a wide temperature range with PUR, PVC or weld-slag, oil-resistant (WSOR) TPE cable to withstand multiple harsh-environment conditions including exposure to welding and cutting oil

Offers a durable and cost-effective connectivity solution that features a robust spring carrier and housing with shielded and unshielded options

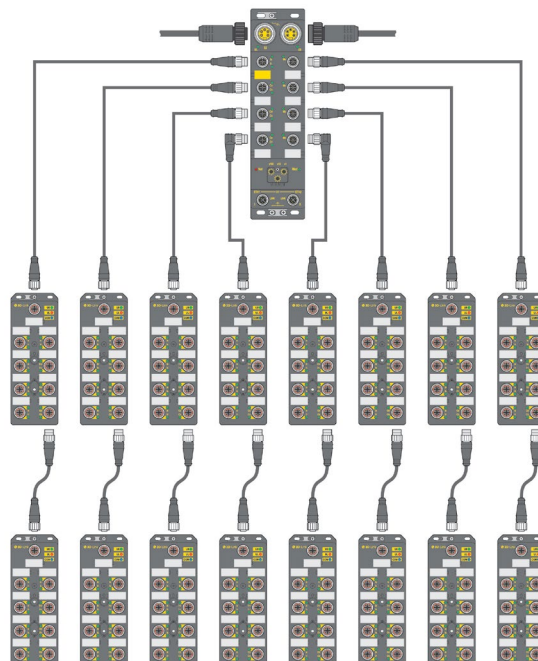
Meets industry standards complying with IEC 61076-2-010 standard



M12 Ultra-Lock 2.0 Male Cordset



M12 Ultra-lock 2.0 Female Cordset



Multi I/O Applications



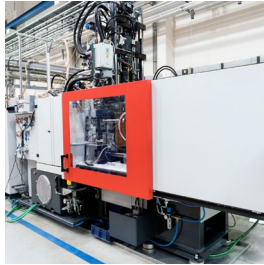
M12 Ultra-Lock 2.0 Shielded Male Cordset

Brad M12 Ultra-Lock 2.0 >

APPLICATIONS

Industrial Automation

Machine and line builders
 Machine tools/machining centers
 Automotive production equipment
 Manufacturing robots
 Special-purpose manufacturing machinery
 Sensor and actuator connections
 Multiple-I/O applications
 Difficult-to-access areas
 Safety areas
 Food and beverage line equipment
 Automation controls
 Material handling equipment
 Petrochemical complexes
 Telematics units
 Telecommunications base stations



Machine Tools/Machining Centers



Food and Beverage
Line Equipment



Automation Controls

SPECIFICATIONS

Reference Information

A-Code:

Cordsets from series 120400/120401 mate with receptacles from series 120404

D-Code:

Cordsets from series 120406 mate with receptacles from series 120406

Physical

Outer Sleeve: Stainless Steel (shielded) or PA (unshielded)
 Inner Sleeve: Brass (shielded) or Zinc die-cast (unshielded)
 Locking Spring: Stainless Steel
 Contact Plating: Gold over Nickel
 O-Ring: FPM
 Durability (min.): 100 mating cycles
 Ingress Protection (IP) Rating for Shielded

Products:

22 AWG PUR Cable M12 – IP69k
 22 AWG PUR Cable RJ45 – IP20
 24 AWG TPE Cable M12 – IP67
 24 AWG TPE Cable RJ45 – IP20

IP Rating for Unshielded Products:

Cordsets – IP67
 Receptacles – IP69k

Operating Temperatures: -30 to +80°C
 (fixed installation)

Electrical

Voltage/Current (max.):
 3/4-Pole – 250V/4.0A
 5-Pole – 60V/4.0A
 8-Pole – 30V/2.0A
 12-Pole – 30V/1.5A

www.molex.com/en-us/products/industrial-automation/micro-change-m12