

4700 Series Pull Handles

Introduction

The Briton 4700 Series of door hardware is a high quality, high specification range of lever and pull handle door furniture and accessories in satin stainless steel.

The range encompasses the complete hardware requirement of the large majority of doorsets.

Features & Functions

- Precision manufactured pull handles in stainless steel Grade 304
- Available in 32mm diameter and a range of lengths
- Suitable for use individually for single sided use or as a back to back pair
- Standard fixing pack suitable for a range of mounting options
- Optional face fixed rose mounting
- Pull handles of 300mm and over meet the recommendations of BS 8300 for easy access

4700 Series



4723.32.400



4724.32.400



When Ordering

When ordering pull handles please specify one fixing pack per handle. i.e when back to back installation is required order 2 pull handles and 2 fixing packs

Certification

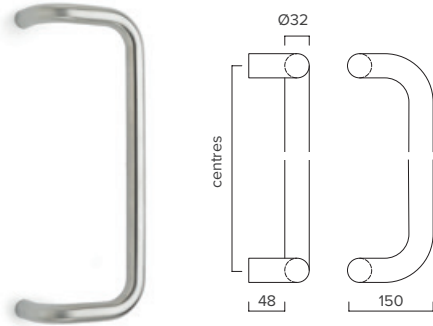
Tested and certified to EN 1670 Grade 3 Corrosion Resistance

Fire tested to EN 1634-1 for use on fire doors up to 120 mins timber / 4hr steel
[* May be fitted to fully insulated steel based doorsets or uninsulated steel based doorsets where the closer is fitted to the fire risk face only].

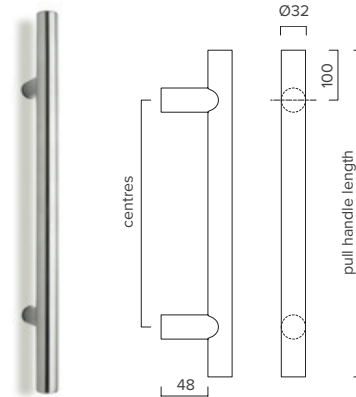
Items marked with the wheelchair symbol meet the recommendations of BS 8300 for easy access.

DoP available at www.britondops.co.uk

Briton 4700 Series



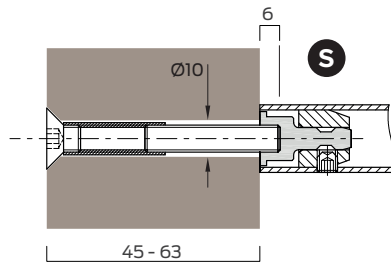
Description:	Cranked pull handle - Round bar section	
Product Ref:	4723.32.400	4723.32.600
Diameter:	32mm	32mm
Centres:	400	600



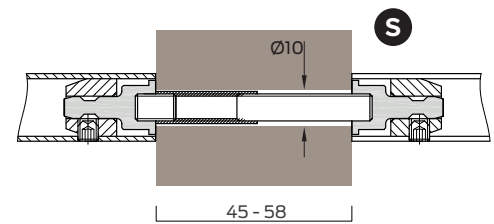
Description:	Pillar pull handle - Round bar section	
Product Ref:	4724.32.400	4724.32.600
Diameter:	32mm	32mm
Centres:	200	400

Standard fixing packs **S**

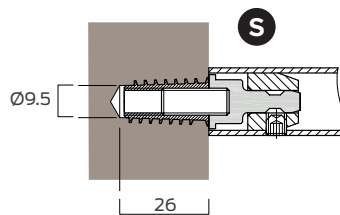
Ref.	Description
4726	Standard fixing pack suitable for multiple fixing methods. Order 1 pack per pull handle



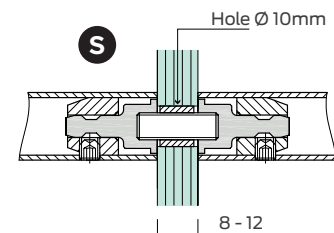
Bolt through - single pull handle



Back to back pair on timber door



Secret fix - single pull handle



Back to back pair on glass door

All dimensions are in mm

Finishes

All pull handles are available in stainless steel with a satin finish.



SS
Satin stainless steel

General Maintenance

Door Furniture

Door furniture, including lever handles require very little general maintenance.

Annually check for smooth operation and ensure the lever freely returns to the horizontal position. Ensure all fixings remain tight.

Annually check pull handles, bolts, door stops, signs and indicators paying particular attention to all fixings.

General cleaning procedures should be followed in accordance with the "Care of Finishes" on page 16 of the 'Service & Maintenance Guide'.



4700 Series

DOOR FURNITURE

Provided it has been installed correctly your pull handle furniture should require only occasional checking and cleaning. Highly finished items which are regularly handled should be checked more frequently and kept clean.

MONTHLY

Check pull handles and push plates for dirt and grease and wipe clean as directed by the "Care of Finishes" on page 16 of the 'Service & Maintenance Guide'.



ANNUALLY

Check that all fixings are tight on bolt through and back to back pull handles. On single bolt through pulls this may entail removing the push plate to access the fixing bolts. On back to back fixed pulls it may entail removing the inside handle in order to tighten the fixing bolts. Make sure the grub screw fixing of the inside handle on back to back assemblies are tight.

