

TNT4882TM
Programmer Reference Manual

July 1995 Edition

Part Number 370872A-01

**© Copyright 1993, 1995 National Instruments Corporation.
All Rights Reserved.**

National Instruments Corporate Headquarters

6504 Bridge Point Parkway

Austin, TX 78730-5039

(512) 794-0100

Technical support fax: (800) 328-2203

(512) 794-5678

Branch Offices:

Australia 03 9 879 9422, Austria 0662 45 79 90 0, Belgium 02 757 00 20,

Canada (Ontario) 519 622 9310, Canada (Québec) 514 694 8521,

Denmark 45 76 26 00, Finland 90 527 2321, France 1 48 14 24 24,

Germany 089 741 31 30, Hong Kong 2645 3186, Italy 02 48301892,

Japan 03 5472 2970, Korea 02 596 7456, Mexico 5 202 2544,

Netherlands 03480 33466, Norway 32 84 84 00, Singapore 2265886,

Spain 91 640 0085, Sweden 08 730 49 70, Switzerland 056 20 51 51,

Taiwan 02 377 1200, U.K. 01635 523545

Limited Warranty

The TNT4882™ integrated circuit (“equipment”) is warranted against defects in material and workmanship under normal use and service for a period of one (1) year from the date of shipment from the National Instruments factory. During this period of one year, National Instruments shall at its sole option either repair, replace, or credit the Buyer for defective equipment if: (i) Buyer returns the equipment to National Instruments, FOB the National Instruments factory in Austin, Texas; (ii) Buyer notifies National Instruments promptly upon discovery of any defect in writing, including a detailed description of the defect; and (iii) upon examination of the returned equipment, National Instruments is satisfied that the circuit is defective and that the cause of such defect is not alteration or repair by someone other than National Instruments, neglect, accident, misuse, improper installation, or use contrary to any instructions issued by National Instruments.

A Return Material Authorization (RMA) number must be obtained from the factory and clearly marked on the outside of the package before any equipment will be accepted for warranty work. Prior to issuance of an RMA by National Instruments, Buyer shall allow National Instruments the opportunity to inspect the equipment on-site at Buyer’s facility.

This warranty expires one year from date of original shipment regardless of any warranty performance during that warranty period. The warranty provided herein is Buyer’s sole and exclusive remedy for nonconformity of the equipment or for breach of any warranty. THE ABOVE IS IN LIEU OF ALL OTHER WARRANTIES EXPRESSED OR IMPLIED. NATIONAL INSTRUMENTS SPECIFICALLY DISCLAIMS THE IMPLIED WARRANTIES OF MERCHANTABILITY AND FITNESS FOR A PARTICULAR PURPOSE. BUYER’S RIGHT TO RECOVER DAMAGES CAUSED BY FAULT OR NEGLIGENCE ON THE PART OF NATIONAL INSTRUMENTS SHALL BE LIMITED TO THE AMOUNT THERETOFORE PAID BY THE BUYER. NATIONAL INSTRUMENTS WILL NOT BE LIABLE FOR DAMAGES RESULTING FROM LOSS OF DATA, PROFITS, USE OF PRODUCTS, OR INCIDENTAL OR CONSEQUENTIAL DAMAGES, EVEN IF ADVISED OF THE POSSIBILITY THEREOF. This limitation of the liability of National Instruments will apply regardless of the form of action, whether in contract or tort, including negligence. National Instruments recommends against the use of its products as critical components in any life support devices or systems whose failure to perform can reasonably be expected to cause significant injury to a human. Buyer assumes all risk for such application and agrees to indemnify National Instruments for all damages which may be incurred due to use of the National Instruments standard devices in medical or life support applications. Any action against National Instruments must be brought within one year after the cause of action accrues.

National Instruments believes that the information in this manual is accurate. The document has been carefully reviewed for technical accuracy. In the event that technical or typographical errors exist, National Instruments reserves the right to make changes to subsequent editions of this document without prior notice to holders of this edition. The reader should consult National Instruments if errors are suspected. In no event shall National Instruments be liable for any damages arising out of or related to this document or the information contained in it.

Copyright

Under the copyright laws, this publication may not be reproduced or transmitted in any form, electronic or mechanical, including photocopying, recording, storing in an information retrieval system, or translating, in whole or in part, without the prior written consent of National Instruments Corporation.

Trademarks

NAT4882[®], Turbo488[®], and TNT4882[™], are trademarks of National Instruments Corporation.

Product and company names listed are trademarks or trade names of their respective companies.

WARNING REGARDING MEDICAL AND CLINICAL USE OF NATIONAL INSTRUMENTS PRODUCTS

National Instruments products are not designed with components and testing intended to ensure a level of reliability suitable for use in treatment and diagnosis of humans. Applications of National Instruments products involving medical or clinical treatment can create a potential for accidental injury caused by product failure, or by errors on the part of the user or application designer. Any use or application of National Instruments products for or involving medical or clinical treatment must be performed by properly trained and qualified medical personnel, and all traditional medical safeguards, equipment, and procedures that are appropriate in the particular situation to prevent serious injury or death should always continue to be used when National Instruments products are being used. National Instruments products are NOT intended to be a substitute for any form of established process, procedure, or equipment used to monitor or safeguard human health and safety in medical or clinical treatment.

Contents

About This Manual	xvii
Organization of This Manual	xvii
Conventions Used in This Manual	xviii
Related Documentation	xviii
Customer Communication	xix
Chapter 1	
Introduction and General Description	1-1
TNT4882 Features	1-1
IEEE 488 Capabilities	1-1
CPU Interface Features	1-4
Bus Interface Capabilities	1-4
Chapter 2	
TNT4882 Architectures	2-1
Turbo+7210 Mode	2-1
Turbo+9914 Mode	2-2
One-Chip Mode	2-2
Choosing a TNT4882 Architecture Mode	2-2
One-Chip Mode	2-2
Turbo+9914 Mode	2-3
Turbo+7210 Mode	2-3
Changing the TNT4882 Architecture Modes	2-3
Architecture After a Hardware Reset	2-4
Changing between Turbo+9914 Mode and Turbo+7210 Mode	2-4
Changing between One-Chip Mode and Turbo+7210 Mode	2-4
Chapter 3	
TNT4882 Interface Registers	3-1
One-Chip Mode/Turbo+7210 Mode Registers	3-1
Hidden Registers: One-Chip Mode/Turbo+7210 Mode	3-4
Address Register Map	3-4
Auxiliary Mode Register Map	3-4
SH_CNT Map	3-5
The Page-In State (One-Chip Mode/Turbo+7210 Mode)	3-5
When to Use the Page-In State	3-5
How to Page-In	3-6
Turbo+9914 Mode Registers	3-7
Hidden Registers: Turbo+9914 Mode	3-9
Accessory Read Register Map	3-9
The SWAP Bit	3-9
Setting the SWAP Bit	3-9

Recommendation	3-10
The Page-In Condition (Turbo+9914 Mode)	3-10
Register Bit Descriptions	3-10
8-Bit Versus 16-Bit Accesses	3-10
9914 and 7210 Registers with Identical Names	3-11
Accessory Register A (ACCRA)	3-12
Accessory Register B (ACCRB)	3-13
Accessory Register E (ACCRE)	3-14
Accessory Register F (ACCRF)	3-15
Accessory Register I (ACCRI)	3-16
Accessory Register J (ACCRJ)	3-17
Accessory Write Register (ACCWR)	3-19
Address Mode Register (ADMR)	3-20
Address Register (ADR)—One-Chip Mode, Turbo+7210 Mode	3-22
Address Register (ADR)—Turbo+9914 Mode	3-23
Address Register 0 (ADR0)	3-24
Address Register 1 (ADR1)	3-25
Address Status Register (ADSR)—Turbo+7210 Mode	3-26
Address Status Register (ADSR)—Turbo+9914 Mode	3-29
Auxiliary Command Register (AUXCR)	3-32
Auxiliary Mode Register (AUXMR)	3-41
Auxiliary Register A (AUXRA)	3-51
Auxiliary Register B (AUXRB)	3-53
Auxiliary Register E (AUXRE)	3-55
Auxiliary Register F (AUXRF)	3-56
Auxiliary Register G (AUXRG)	3-57
Auxiliary Register I (AUXRI)	3-59
Auxiliary Register J (AUXRJ)	3-61
Bus Control Register (BCR)/Bus Status Register (BSR)	3-63
Carry Cycle Register (CCR)	3-64
Command/Data Out Register (CDOR)	3-65
Configuration Register (CFG)	3-66
Command Register (CMDR)	3-69
Count 0 Register (CNT0)	3-71
Count 1 Register (CNT1)	3-71
Count 2 Register (CNT2)	3-71
Count 3 Register (CNT3)	3-71
Count Registers	3-72
32-Bit Mode	3-72
16-Bit Mode	3-72
Command Pass Through Register (CPTR)	3-73
Chip Signature Register (CSR)	3-74
DIO Control Register (DCR)	3-75
Data In Register (DIR)	3-76
DIO Status Register (DSR)	3-77
End-of-String Register (EOSR)	3-78
First-In First-Out Buffer (FIFO(A/B))	3-79

FIFO A	3-79
FIFO B	3-79
High-Speed Enable Register (HIER).....	3-81
Handshake Select Register (HSSEL)	3-83
Interrupt Mask Register 0 (IMR0)—One-Chip Mode, Turbo+7210 Mode	3-84
Interrupt Status Register 0 (ISR0)—One-Chip Mode, Turbo+7210 Mode	3-84
Interrupt Mask Register 0 (IMR0)—Turbo+9914 Mode	3-88
Interrupt Status Register 0 (ISR0)—Turbo+9914 Mode	3-88
Interrupt Mask Register 1 (IMR1)—One-Chip Mode, Turbo+7210 Mode	3-92
Interrupt Status Register 1 (ISR1)—One-Chip Mode, Turbo+7210 Mode	3-92
Interrupt Mask Register 1 (IMR1)—Turbo+9914 Mode	3-98
Interrupt Status Register 1 (ISR1)—Turbo+9914 Mode	3-98
Interrupt Mask Register 2 (IMR2)—One-Chip Mode, Turbo+7210 Mode	3-103
Interrupt Status Register 2 (ISR2)—One-Chip Mode, Turbo+7210 Mode	3-103
Interrupt Mask Register 2 (IMR2)—Turbo+9914 Mode	3-107
Interrupt Status Register 2 (ISR2)—Turbo+9914 Mode	3-107
Interrupt Mask Register 3 (IMR3).....	3-111
Interrupt Status Register 3 (ISR3)	3-111
Board Interrupt Register (INTR)	3-114
Key Control Register (KEYREG)	3-115
Miscellaneous Register (MISC)	3-117
Parallel Poll Register (PPR)—Turbo+7210 Mode	3-119
Parallel Poll Register (PPR)—Turbo+9914 Mode	3-122
Programmable T1 Register (PT1)	3-123
Source/Acceptor Status Register (SASR)	3-124
SH_CNT Register (SH_CNT).....	3-126
Serial Poll Mode Register (SPMR)	3-127
Serial Poll Status Register (SPSR)	3-127
Status 1 Register (STS1)	3-129
Status 2 Register (STS2)	3-132
T12 Register (T12)	3-133
T13 Register (T13)	3-134
T17 Register (T17)	3-135
Timer Register (TIMER)	3-136

Chapter 4

TNT4882 Programming Considerations	4-1
Chip Initialization	4-1
1. Reset the Turbo488 Circuitry of the TNT4882.....	4-1
2. Place the TNT4882 in Turbo+7210 Mode	4-1
3. Configure the TNT4882 for One-Chip Mode	4-2
4. Make Sure that the Local Power-On Message is Asserted	4-2

5. Configure the TNT4882 for GPIB Operation	4-2
A. Set the GPIB Address(es)	4-2
B. Write the Initial Serial Poll Response	4-2
C. Configure the Initial Parallel Response	4-2
D. Enable Interrupts	4-3
E. Set the GPIB Handshake Parameters	4-3
6. Clear the Local Power-On Message to Begin	
GPIB Operation	4-3
GPIB Talker or Listener Considerations	4-3
GPIB Addressing	4-3
Logical and Physical Devices	4-3
Normal and Extended Addressing	4-3
Implementing One Logical Device:	
Normal Addressing	4-4
Implementing One Logical Device:	
Extended Addressing	4-4
Implementing Two Logical Devices:	
Normal Addressing	4-4
Implementing Two Logical Devices:	
Extended Addressing	4-5
Implementing Three or More Logical Devices:	
Normal Addressing	4-6
Implementing Three or More Logical Devices:	
Extended Addressing	4-7
Programmed Implementation of a Talker and Listener	4-7
GPIB Data Transfers	4-7
Initialization	4-7
Conducting the Transfer	4-8
Programmed I/O	4-9
Interrupt-Driven Status Reporting	4-11
DMA	4-11
Termination	4-12
Terminal Count	4-12
TLCINT Signal	4-12
Software Abort	4-12
Post Termination	4-12
Device Status Reporting	4-13
Requesting Service	4-13
Asserting the SRQ signal	4-13
IEEE 488.2 Service Requesting	4-13
7210-Style Service Requesting	4-13
Responding to Serial Polls	4-14
Responding to Parallel Polls	4-14
The 1st Message	4-14
Remote Configuration	4-14
Local Configuration	4-15
Disabling the Parallel Poll Response	4-15
Acceptor Handshake Holdoffs in One-Chip Mode	4-15

The GPIB rdy Message and RFD Holdoffs	4-15
Generating the rdy Message	4-15
Immediate RFD Holdoff	4-15
Data Byte RFD Holdoffs	4-16
DAC Holdoffs	4-16
Determining When DAC Holdoffs Occur	4-17
Hardware Interrupts	4-18
The INTR Pin	4-18
The TNT4882_INT Signal	4-18
The TLCINT Signal	4-18
Using the Timer	4-19
The Timer	4-19
Global Timeouts	4-19
Byte Timeouts	4-19
Remote/Local State Considerations	4-19
Device Triggering	4-20
Device Clearing	4-20
Using the KEY Pins	4-21
Writing a DS1204 Key	4-21
Reading a DS1204 Key	4-21
Using the Key Pins as General Purpose I/O Pins	4-21
T1 Delay Generation	4-21
The T1 Delay	4-21
HSTS Definition	4-22
T1 Delay	4-22

Chapter 5

Hardware Considerations: Generic Pin Configuration

CPU Interface Pins	5-1
Data Buses	5-1
8-Bit I/O Accesses	5-1
16-Bit I/O Accesses	5-2
8-Bit DMA Accesses	5-2
16-Bit DMA Accesses	5-2
Data Bus Control Signals	5-3
ABUSN and BBUSN	5-3
ABUS_OEN and BBUS_OEN	5-3
Register Select Pins	5-3
ADDR4-0 and CSN	5-3
RDN and WRN	5-3
CPUACC and RDY1	5-3
DRQ	5-5
DACKN	5-5
BURST_RDN	5-5
Other CPU Interface Pins	5-6
FIFO_RDY	5-6
INTR	5-6
PAGED	5-6

Mode Pins	5-6
MODE	5-6
SWAPN	5-6
MODE and SWAPN Pin Recommendations	5-7
RESETN	5-7
GPIOB Device Status Pins	5-7
TADCS—Talker Addressed Signal	5-7
LADCS—Listener Addressed Signal	5-7
TRIG—Trigger Signal	5-8
DCAS—Device Clear	5-8
REM—Remote Signal	5-8
GPIOB Signal Pins	5-8
Key Pins	5-8
Oscillator Pins	5-9
Crystal Oscillator	5-9
Discrete Oscillator Circuit	5-9

Chapter 6

Hardware Considerations: ISA Pin Configuration	6-1
CPU Interface Pins	6-1
Data Buses	6-1
DATA15–8	6-1
DATA7–0	6-2
Data Bus Control Signals	6-2
D15_8_OEN and D7_0_OEN	6-2
BHEN_N	6-3
Register Select Pins	6-3
ADDR9–5, SW9–5, AEN_N	6-3
ADDR4–0	6-3
IORN, IOWN	6-3
Other CPU Interface Pins	6-3
DRQ	6-3
DACKN	6-4
INTR	6-4
IOCHRDY	6-4
IOCS16N	6-5
MODE	6-5
SENSE_8_16N	6-5
RESET	6-5
Other Pins	6-5

Appendix A

Common Questions	A-1
-------------------------------	------------

Appendix B**Clocking the TNT4882 at Frequencies Less than**

40 MHz	B-1
HS 488 Capability	B-1
WR* Signal Recovery Time	B-1
T1 Delay—Byte Sourcing Speed	B-2
Internal Timer	B-3
RDY Signal	B-4
DRQ Timer	B-4
Interrupts	B-4
Acceptor Functions	B-4
Trigger Pulse Width	B-4

Appendix C

Introduction to the GPIB	C-1
History of the GPIB	C-1
The IEEE 488.1 Specification	C-2
IEEE 488.2 and SCPI Specifications	C-2
Problems with IEEE 488.1 Compatible Devices	C-2
The IEEE 488.2 Solution	C-2
SCPI Specification	C-3
GPIB Hardware Configuration	C-4
GPIB Signals and Lines	C-7
Data Lines	C-7
Interface Management Lines	C-8
Interface Clear (IFC)	C-8
Attention (ATN)	C-9
Remote Enable (REN)	C-10
End-or-Identify (EOI)	C-10
Service Request (SRQ)	C-11
Handshake Lines	C-11
Not Ready For Data (NRFD)	C-11
Not Data Accepted (NDAC)	C-12
Data Valid (DAV)	C-12
Three-Wire Handshake Process	C-13
Physical and Electrical Specifications	C-13
Controllers, Talkers, and Listeners	C-14
Controllers	C-14
Talkers and Listeners	C-15
Data and Command Messages	C-17
GPIB Addressing Protocol	C-17
Reading the Multiline Interface Command Messages Table	C-19
Secondary Addressing	C-19
Unaddressing Command Messages	C-19
Termination Methods	C-19

EOS Method	C-20
EOI Method	C-20
Count Method	C-20
Combinations of Termination Methods	C-21
Serial Polling	C-21
Servicing SRQs	C-21
Serial Polling Devices	C-21
Status Byte Model for IEEE 488.1	C-23
ESR and SRE Registers	C-23
Status Byte Model for IEEE 488.2	C-23
Parallel Polling	C-25
Overview of Parallel Polls	C-25
Determining the Value of the PPR Message	C-26
Configuring a Device for Parallel Polls	C-26
Determining the PPE Message	C-27
Physical Representation of the PPR Message	C-27
Clearing and Triggering Devices	C-28

Appendix D

Introduction to HS488	D-1
Objectives of HS488	D-1
Fast Transfer Rates	D-1
Compatibility with Existing IEEE 488.1 Devices	D-1
No Additional Software Overhead—	
Automatic HS488 Detection	D-1
No Changes to the IEEE 488.2 Standard	D-1
No Added Cabling Restrictions beyond IEEE 488.1	D-2
IEEE 488.1 Requirements If T1 Delay Is 350 ns	D-2
Additional HS488 System Requirements	D-2
Sequence of Events in Data Transfers	D-2
Case 1: Talker and Listener Are HS488 Capable	D-4
Case 2: Talker Is HS488 Capable, But Listener Is Not	
HS488 Capable	D-5
Case 3: Talker Is Not HS488 Capable	D-6
Transfer Holdoffs—3 Cases	D-6
Case 1: Listener's Buffer Nearly Full	D-7
Case 2: Listener Wants to Resume Three-Wire	
Handshake	D-8
Case 3: Talker Sends EOI or EOS	D-9
System Configuration	D-9

Appendix E

Standard Commands for Programmable Instruments (SCPI)	E-1
IEEE 488.2 Common Commands Required by SCPI	E-2
SCPI Required Commands	E-3
SCPI Optional Commands	E-3
Programming with SCPI	E-4

Constructing SCPI Commands by Using the Hierarchical Command Structure	E-5
Parsing SCPI Commands	E-7

Appendix F	
Multiline Interface Command Messages	F-1

Appendix G	
Mnemonics Key	G-1

Appendix H	
Customer Communication	H-1

Glossary	Glossary-1
-----------------------	-------------------

Index	I-1
--------------------	------------

Figures

Figure 2-1.	Turbo+7210 or Turbo+9914 Mode Block Diagram	2-1
Figure 2-2.	One-Chip Mode Block Diagram	2-2
Figure 2-3.	Changing the Three TNT4882 Architecture Modes	2-3
Figure 3-1.	FIFO Register Data Flow	3-80
Figure 4-1.	Flow Chart of Polled GPIB Transfers	4-9
Figure 4-2.	The TNT4882 INTR Pin	4-18
Figure 5-1.	TNT4882 Generic Pin Configuration	5-1
Figure 5-2.	Recommended Circuit for a Third Overtone Mode Crystal	5-9
Figure 6-1.	TNT4882 ISA Pin Configuration.....	6-1
Figure B-1.	Illustration of T_{w1}	B-2
Figure C-1.	Structure of the GPIB Standards	C-3
Figure C-2.	Linear Configuration	C-5
Figure C-3.	Star Configuration	C-6
Figure C-4.	GPIB Connector and Pin Assignments	C-7
Figure C-5.	Three-Wire Handshake Process	C-12
Figure C-6.	System Setup Example	C-16
Figure C-7.	Events During a Serial Poll	C-22
Figure C-8.	IEEE 488.2 Standard Status Structures	C-24
Figure C-9.	Example Exchange of Messages During a Parallel Poll	C-25

Contents

Figure D-1.	IEEE 488.1 and HS488 Transfers	D-3
Figure D-2.	Talker and Listener Are HS488 Capable	D-4
Figure D-3.	Talker Is HS488 Capable, But Listener Is Not HS488 Capable	D-5
Figure D-4.	Talker Is Not HS488 Capable, But Listener Is HS488 Capable	D-6
Figure D-5.	Acceptor Buffer Full	D-7
Figure D-6.	Acceptor Wants to Resume Three-Wire Handshake	D-8
Figure D-7.	Program Message Terminator	D-9
Figure E-1.	Partial Command Categories	E-4
Figure E-2.	Simple Command Tree for the SENSE Command Subsystem	E-4
Figure E-3.	Partial Command Tree for the SENSE Command Subsystem	E-5
Figure E-4.	Partial Command Tree for the SOURce Command Subsystem	E-6
Figure E-5.	Partial Command Tree for the TRIGger Command Subsystem	E-6

Tables

Table 1-1.	TNT4882 IEEE 488 Interface Capabilities	1-1
Table 3-1.	TNT4882 Register Bit Map: One-Chip Mode and Turbo+7210 Mode	3-2
Table 3-2.	Hidden Registers at Offset C (ADR)	3-4
Table 3-3.	Hidden Registers at Offset A (AUXMR).....	3-4
Table 3-4.	Register Map of the SH_CNT Register	3-5
Table 3-5.	One-Chip Mode and Turbo+7210 Mode Page-In State Register Offsets	3-6
Table 3-6.	TNT4882 Register Bit Map: Turbo+9914 Mode	3-7
Table 3-7.	Hidden Registers at the ACCR Offset	3-9
Table 3-8.	Timeout Values in Turbo+9914 Mode	3-17
Table 3-9.	Valid ADMR Patterns	3-20
Table 3-10.	Auxiliary Command Summary	3-32
Table 3-11.	Auxiliary Command Description	3-34
Table 3-12.	Auxiliary Command Summary	3-42
Table 3-13.	Auxiliary Command Description	3-44
Table 3-14.	Clear Conditions for SISB Bit	3-60
Table 3-15.	Timeout Values in 7210 Mode	3-61
Table 3-16.	Command Summary: Detailed Description	3-69
Table 3-17.	Parallel Poll Register Example	3-121
Table 3-18.	CNT Value and the Accessed Register	3-126
Table 4-1.	T1 Delay Settings.....	4-22
Table 5-1.	Generic Pin Configuration Byte Lane Table (I/O Accesses).....	5-2
Table 5-2.	Quartz Crystal Specifications	5-10
Table 6-1.	ISA Pin Configuration Byte Lane Table	6-2

Table B-1.	T1 Delay Lengths—Turbo+7210 and One-Chip Modes	B-2
Table B-2.	T1 Delay Lengths—Turbo+9914 Mode	B-3
Table C-1.	PPR Message Value	C-26
Table C-2.	Determining the PPE Message.....	C-27
Table D-1.	HS488 Limitations	D-2
Table D-2.	Start of Transfer—Three Cases.....	D-3
Table E-1.	IEEE 488.2 Common Commands Required by SCPI.....	E-2
Table E-2.	SCPI Required Commands	E-3

About This Manual

This manual describes the programmable features of the TNT4882 and contains information that is suitable for programmers and engineers who wish to write software for the TNT4882.

This manual assumes that you are already familiar with general IEEE 488 concepts.

Organization of This Manual

This manual is organized as follows:

- Chapter 1, *Introduction and General Description*, explains the features and capabilities of the TNT4882.
- Chapter 2, *TNT4882 Architectures*, discusses the internal hardware architectures of the TNT4882.
- Chapter 3, *TNT4882 Interface Registers*, contains TNT4882 address maps and a detailed description of the TNT4882 interface registers.
- Chapter 4, *TNT4882 Programming Considerations*, explains important TNT4882 programming considerations.
- Chapter 5, *Hardware Considerations: Generic Pin Configuration*, supplements the information contained in the *TNT4882 Single-Chip IEEE 488.2 Talker/Listener ASIC* data sheet.
- Chapter 6, *Hardware Considerations: ISA Pin Configuration*, supplements the information contained in the *TNT4882 Single-Chip IEEE 488.2 Talker/Listener ASIC* data sheet.
- Appendix A, *Common Questions*, list common questions and answers.
- Appendix B, *Clocking the TNT4882 at Frequencies Less than 40 MHz*, discusses some factors to consider when clocking the TNT4882 at frequencies less than 40 MHz.
- Appendix C, *Introduction to the GPIB*, discusses the history of the GPIB, GPIB hardware configurations, and serial polling.
- Appendix D, *Introduction to HS488*, describes HS488 and the sequence of events in data transfers.

About This Manual

- Appendix E, *Standard Commands for Programmable Instruments (SCPI)*, discusses the SCPI document, the required SCPI commands, and SCPI programming.
- Appendix F, *Multiline Interface Command Messages*, lists the multiline interface messages and describes the mnemonics and messages that correspond to the interface functions.
- Appendix G, *Mnemonics Key*, defines the mnemonics (abbreviations) that this manual uses for functions, remote messages, local messages, states, bits, registers, integrated circuits, and system functions.
- Appendix H, *Customer Communication*, contains forms you can use to request help from National Instruments or to comment on our products and manuals.
- The *Glossary* contains an alphabetical list and a description of the terms that this manual uses, including abbreviations, acronyms, metric prefixes, mnemonics, and symbols.
- The *Index* contains an alphabetical list of the key terms and topics that this manual uses, and it includes the page number where you can locate each term and topic.

Conventions Used in This Manual

This manual uses the following conventions.

italic Italic text denotes emphasis, a cross reference, or an introduction to a key concept.

bold italic Bold italic text denotes a note, caution, or warning.

IEEE 488 and IEEE 488.2 IEEE 488 and IEEE 488.2 refer to the ANSI/IEEE Standard 488.1-1987 and ANSI/IEEE Standard 488.2-1992, respectively, which define the GPIB.

The *Glossary* lists abbreviations, acronyms, metric prefixes, mnemonics, symbols, and terms.

Related Documentation

The following documents contain information that you may find helpful as you read this manual.

- *TNT4882 Single-Chip IEEE 488.2 Talker/Listener ASIC* data sheet

- ANSI/IEEE Standard 488.1-1987, *IEEE Standard Digital Interface for Programmable Instrumentation*
- ANSI/IEEE Standard 488.2-1992, *IEEE Standard Codes, Formats, Protocols, and Common Commands*

You may obtain the two ANSI/IEEE documents through the Institute of Electrical and Electronics Engineers, 345 East 47th Street, New York, New York 10017.

You may obtain more information about Standard Commands for Programmable Instruments from the SCPI Consortium, 8380 Hercules Drive, Suite P3, La Mesa, CA 91942.

Customer Communication

National Instruments wants to receive your comments on our products and manuals. We are interested in the applications you develop with our products, and we want to help if you have problems with them. To make it easy for you to contact us, this manual contains comment and configuration forms for you to complete. These forms are in Appendix H, *Customer Communication*, at the end of this manual.

Chapter 1

Introduction and General Description

This chapter explains the features and capabilities of the TNT4882.

The National Instruments TNT4882 provides a single-chip Talker/Listener (TL) interface to the General Purpose Interface Bus (GPIB). It combines the circuitry of the Turbo488 performance-enhancing ASIC, the NAT4882 IEEE 488.2 ASIC, and many new features to provide a complete GPIB solution.

The TNT4882 performs the interface functions defined in the ANSI IEEE Standard 488.1-1987 and the additional requirements and recommendations of the ANSI IEEE Standard 488.2-1987. For faster data transfers, the TNT4882 includes an on-chip, first-in first-out (FIFO) buffer and circuitry to implement HS488, a new high-speed mode for GPIB transfers. The TNT4882 contains 16 enhanced IEEE 488.1 compliant transceivers and can be directly connected to the GPIB. The flexible CPU interface can be easily interfaced to any 16- or 8-bit microprocessor.

Because the TNT4882 contains the NAT4882 register set, which in turn contains the NEC μ PD7210 and TI TMS9914A register sets, you can easily port existing code directly to the TNT4882. The TNT4882 also contains Turbo488 circuitry and many new features to reduce software overhead.

The TNT4882 can be characterized as a bus translator: it converts messages and signals from the CPU into appropriate GPIB messages and signals. In GPIB terminology, the TNT4882 implements GPIB board and device functions to communicate with the central processor and memory. From the host CPU, the TNT4882 is an interface to the outside world.

TNT4882 Features

IEEE 488 Capabilities

The National Instruments TNT4882 has the features necessary to provide a high-performance IEEE 488 interface. Table 1-1 lists the capabilities of the TNT4882 in terms of the IEEE 488 standard codes.

Table 1-1. TNT4882 IEEE 488 Interface Capabilities

Capability Code	Description
SH1	Complete Source Handshake Capability
AH1	Complete Acceptor Handshake Capability; DAC and RFD Holdoff on Certain Events

(continues)

Table 1-1. TNT4882 IEEE 488 Interface Capabilities (Continued)

Capability Code	Description
T5	Complete Talker Capability <ul style="list-style-type: none"> • Basic Talker • Serial Poll • Talk-Only Mode • Unaddressed on MLA • Send END or EOS
TE5	Complete Extended Talker Capability <ul style="list-style-type: none"> • Basic Extended Talker • Serial Poll • Talk-Only Mode • Unaddressed on MSA & LPAS • Send END or EOS
L3	Complete Listener Capability <ul style="list-style-type: none"> • Basic Listener • Listen-Only Mode • Unaddressed on MTA • Detect END or EOS
LE3	Complete Extended Listener Capability <ul style="list-style-type: none"> • Basic Extended Listener • Listen-Only Mode • Unaddressed on MSA & TPAS • Detect END or EOS
SR1	Complete Service Request Capability
RL1	Complete Remote/Local Capability
PP1	Remote Parallel Poll Configuration
PP2	Local Parallel Poll Configuration
DC1	Complete Device Clear Capability
DT1	Complete Device Trigger Capability
C0	No Controller Capability
E2	Three-State Drivers (Open-Collector Drivers During Parallel Polls)

The TNT4882 has complete Source and Acceptor Handshake capability. It can operate as a basic Talker or an extended Talker and can respond to a Serial Poll. If you place

the TNT4882 in talk-only mode, it is unaddressed to talk when it receives its listen address. The TNT4882 GPIB interface can also operate as a basic Listener or an extended Listener. If you place it in listen-only mode, it is unaddressed to listen when it receives its talk address. The TNT4882 can request service from a Controller.

Device Clear and Trigger capability is included in the interface, but the interpretation is software dependent.

Other GPIB features include the following:

- Messages are not sent when there are no Listeners
- HS488 capable
- 16 IEEE 488.1 transceivers integrated on-chip
- Automatic detection of EOS and/or New Line (NL) messages
- Programmable data transfer rates
- Automatic processing of IEEE 488 commands and read undefined commands
- Ability to use six addressing modes
 - Automatic single or dual primary addressing detection
 - Automatic single primary with single secondary address detection
 - Single or dual primary with multiple secondary addressing
 - Multiple primary addressing
- Automatic detection of EOS and/or NL messages

CPU Interface Features

- FIFO buffers for high-speed transfers
- Byte-to-word packing and unpacking
- DMA interface to the host system
 - Cycle steal
 - Burst
 - Time limited
- 32-bit internal transfer byte counter
- Special *last byte* circuitry to reduce software overhead
- Interrupts
 - Interrupts can be individually enabled and cleared
 - Many interrupting conditions are available
- Programmable timer interrupts for general-purpose timing use
- Device-status indicator pins

Bus Interface Capabilities

- On-chip ISA interface glue circuitry
- Generic interfacing to other buses

Chapter 2

TNT4882 Architectures

This chapter discusses the internal hardware architectures of the TNT4882.

The TNT4882 has three different internal hardware architectures: one-chip mode, Turbo+7210 mode, and Turbo+9914 mode. The architecture determines which set of registers is available to the host interface, the behavior of the bits in the registers, and how the FIFOs interface to the GPIB.

Turbo+7210 Mode

In Turbo+7210 mode, the TNT4882 behaves like a Turbo488 ASIC that is connected to a NAT4882BPL ASIC. The NAT4882BPL behaves like a μ PD7210 that has many enhancements.

To write data to the GPIB, the host interface writes the data to the FIFOs of the TNT4882. A transfer state machine transfers the data from the FIFOs to the NAT4882 circuitry, then the NAT4882 circuitry sends the data across the GPIB.

To read data from the GPIB, the NAT4882 circuitry reads data bytes from the GPIB. The transfer state machine transfers the data from the NAT4882 circuitry to the FIFOs, then the host interface reads the data from the FIFOs.

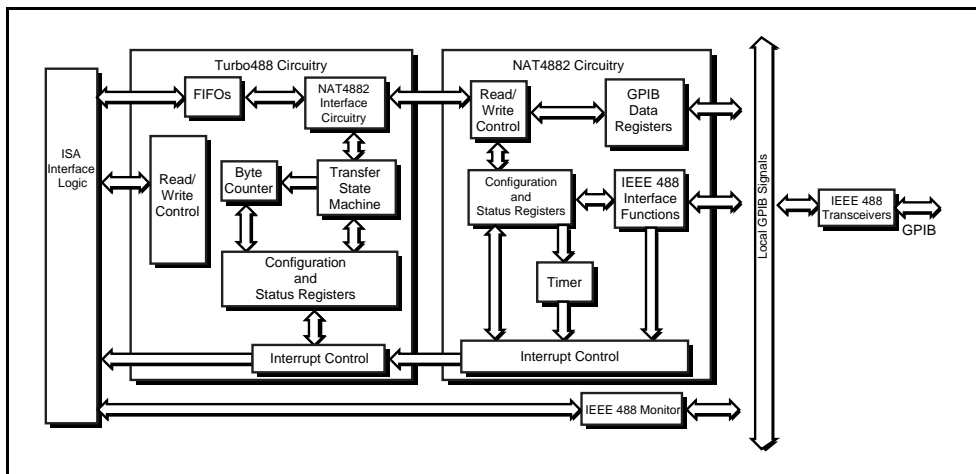


Figure 2-1. Turbo+7210 or Turbo+9914 Mode Block Diagram

Turbo+9914 Mode

In Turbo+9914 mode, the TNT4882 behaves like a Turbo488 ASIC that is connected to a NAT4882BPL ASIC. The NAT4882BPL behaves like a TMS9914A that has many enhancements.

Like Turbo+7210 mode, a transfer state machine in Turbo+9914 mode must transfer data between the FIFOs of the TNT4882 and the NAT4882 circuitry.

One-Chip Mode

In one-chip mode, the FIFOs of the TNT4882 are directly connected to the GPIB and the TNT4882 has a register set that is similar to Turbo+7210 mode. However, one-chip mode does not need a transfer state machine to transfer data either to or from the FIFOs.

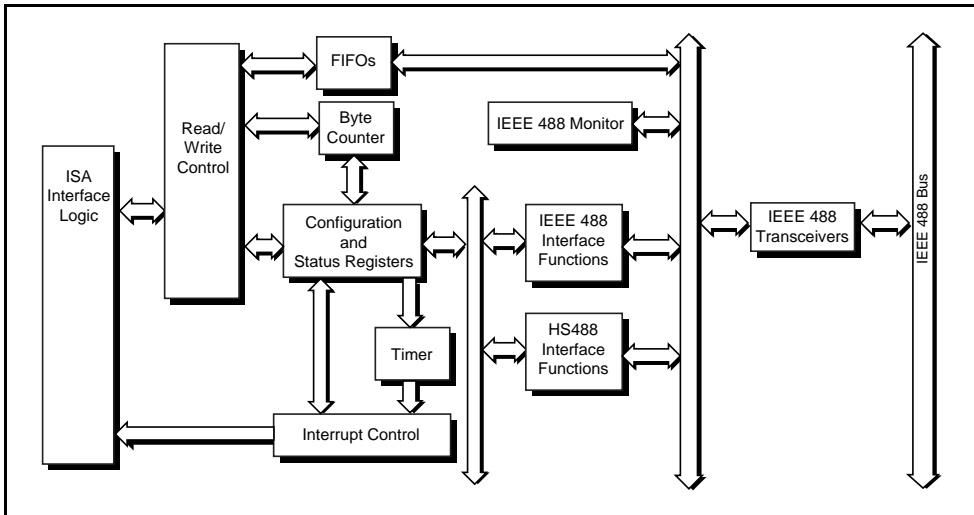


Figure 2-2. One-Chip Mode Block Diagram

Choosing a TNT4882 Architecture Mode

One-Chip Mode

One-chip mode is the simplest and fastest TNT4882 architecture. National Instruments recommends that you use one-chip mode to develop new software. The National Instruments ESP-488TL package uses one-chip mode.

You can use the TNT4882 in one-chip mode without using the HS488 high-speed GPIB protocol, but HS488 is available only when the TNT4882 is in one-chip mode. Therefore, you cannot use HS488 in Turbo+9914 and Turbo+7210 mode.

Turbo+9914 Mode

If you are porting code that was written for the TMS9914A to the TNT4882, you may want to use Turbo+9914 mode. The 7210-style registers used in one-chip mode are similar to the 9914-style registers, so it is not difficult to port code to use one-chip mode. However, you may feel more comfortable if you use the 9914-style registers.

Turbo+7210 Mode

In Turbo+7210 mode, the TNT4882 is compatible with the Turbo488+NAT4882BPL chip set: only applications written for this chip set should use Turbo+7210 mode. Turbo+7210 mode is similar to one-chip mode, so National Instruments recommends that you use one-chip mode to develop new software.

Changing the TNT4882 Architecture Modes

Figure 2-3 shows how you change the TNT4882 architecture modes.

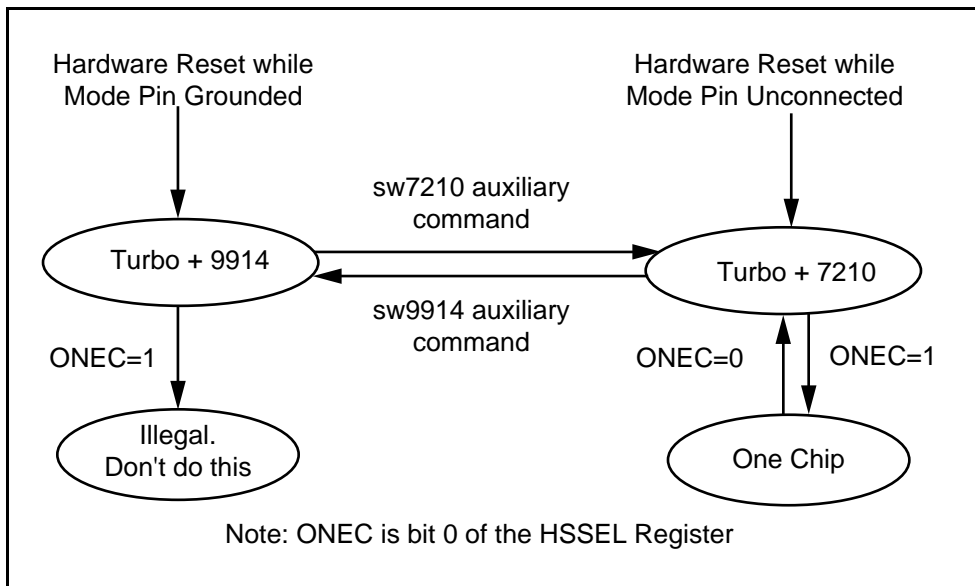


Figure 2-3. Changing the Three TNT4882 Architecture Modes

Architecture After a Hardware Reset

During a hardware reset, the TNT4882 examines the level of the MODE pin. Generally, the MODE pin is either connected to logic ground or unconnected. If the MODE pin is unconnected, an internal pull-up resistor pulls the MODE pin to a logic high level. If the MODE pin is at a logic low level during a hardware reset, the TNT4882 enters Turbo+9914 mode. If the MODE pin is at a logic high level during a hardware reset, the TNT4882 enters Turbo+7210 mode.

Changing between Turbo+9914 Mode and Turbo+7210 Mode

After the hardware reset, the host interface can change the TNT4882 from Turbo+9914 mode to Turbo+7210 mode by writing the sw7210 auxiliary command to the Accessory Read Register (ACCR). The host interface can change the TNT4882 from Turbo+7210 mode to Turbo+9914 mode by writing the sw9914 auxiliary command to the Auxiliary Mode Register (AUXMR).

Changing between One-Chip Mode and Turbo+7210 Mode

The host interface can change the TNT4882 from Turbo+7210 mode to one-chip mode by writing a 1 to the One Chip (ONEC) bit of the Handshake Select Register (HSSEL[0]). The host interface can change the TNT4882 from one-chip mode to Turbo+7210 mode by writing a 0 to ONEC.

Chapter 3

TNT4882 Interface Registers

This chapter contains TNT4882 address maps and a detailed description of the TNT4882 interface registers.

One-Chip Mode/Turbo+7210 Mode Registers

Table 3-1 is the register bit map for the TNT4882 in one-chip mode and Turbo+7210 mode.

Table 3-1. TNT4882 Register Bit Map: One-Chip Mode and Turbo+7210 Mode

Register	Offset (hex)	Type	Bit 7	Bit 6	Bit 5	Bit 4	Bit 3	Bit 2	Bit 1	Bit 0
DIR	0	R	DIO8	DIO7	DIO6	DIO5	DIO4	DIO3	DIO2	DIO1
CDOR	0	W	DIO8	DIO7	DIO6	DIO5	DIO4	DIO3	DIO2	DIO1
ISR1	2	R	CPT	APT	DET	END RX	DEC	ERR	DO	DI
IMR1	2	W	CPT IE	APT IE	DET IE	END IE	DEC IE	ERR IE	DO IE	DI IE
ISR2	4	R	INT	X	LOK	REM	X	LOKC	REMC	ADSC
IMR2	4	W	0	0	DMAO	DMAI	0	LOKC IE	REMC IE	ADSC IE
ACCWR*	5	W	0	0	0	0	0	0	0	DMAEN
SPSR	6	R	S8	PEND	S6	S5	S4	S3	S2	S1
SPMR	6	W	S8	rsv / RQS	S6	S5	S4	S3	S2	S1
INTR*	7	W	0	0	0	0	0	0	0	INTEN
ADSR	8	R	X	ATN*	SPMS	LPAS	TPAS	LA	TA	MJMN
ADMR	8	W	ton	lon	1	1	0	0	ADM1	ADM0
CNT2	9	R/W	CNT23	CNT22	CNT21	CNT20	CNT19	CNT18	CNT17	CNT16
CPTR	A	R	CPT7	CPT6	CPT5	CPT4	CPT3	CPT2	CPT1	CPT0
AUXMR	A	W	AUX7	AUX6	AUX5	AUX4	AUX3	AUX2	AUX1	AUX0
CNT3	B	R/W	CNT31	CNT30	CNT29	CNT28	CNT27	CNT26	CNT25	CNT24
ADR0	C	R	X	DT0	DL0	AD5-0	AD4-0	AD3-0	AD2-0	AD1-0
ADR	C	W	ARS	DT	DL	AD5	AD4	AD3	AD2	AD1
HSSEL	D	W	0	0	GO2 SIDS	NO DMA	0	0	0	ONEC
ADR1	E	R	EOI	DT1	DL1	AD5-1	AD4-1	AD3-1	AD2-1	AD1-1
EOSR	E	W	EOS7	EOS6	EOS5	EOS4	EOS3	EOS2	EOS1	EOS0
STS1	10	R	DONE	0	IN	DRQ	STOP	DAV	HALT	GSYNC
CFG	10	W	0	TLC HLTE	IN	A/BN	CCEN	TMOE	TIM/ BYTN	16/8N
DSR	11	R	DIO8	DIO7	DIO6	DIO5	DIO4	DIO3	DIO2	DIO1

(continues)

Table 3-1. TNT4882 Register Bit Map: One-Chip Mode and Turbo+7210 Mode
(Continued)

Register	Offset (hex)	Type	Bit 7	Bit 6	Bit 5	Bit 4	Bit 3	Bit 2	Bit 1	Bit 0
SH_CNT	11	W	CNT2	CNT1	CNT0	TD4	TD3	TD2	TD1	TD0
IMR3	12	R/W	0	INTSRC2 IE	0	STOP IE	NFF IE	NEF IE	TLC INT IE	DONE IE
HIER	13	W	DGA	DGB	0	NO_TSETUP	0	0	0	PMT_W_EOS
CNT0	14	R/W	CNT7	CNT6	CNT5	CNT4	CNT3	CNT2	CNT1	CNT0
MISC	15	W	0	0	0	HSE	SLOW	WRAP	NOAS	NOTS
CNT1	16	R/W	CNT15	CNT14	CNT13	CNT12	CNT11	CNT10	CNT9	CNT8
CSR	17	R	V3	V2	V1	V0	KEY DQ	MODE	0	0
KEYREG	17	W	0	SWAP	0	0	KEY CLK	KEY DAT EN	KEY DATA	KEY RST*
FIFOB	18	R/W	FB7	FB6	FB5	FB4	FB3	FB2	FB1	FB0
FIFOA	19	R/W	FA15	FA14	FA13	FA12	FA11	FA10	FA9	FA8
ISR3	1A	R	INT	INTSRC 2	X	STOP	NFF	NEF	TLC INT	DONE
CCR	1A	W	D7	D6	D5	D4	D3	D2	D1	D0
SASR	1B	R	nba	AEHS	ANHS1	ANHS2	ADHS	ACRDY	SH1A	SH1B
DCR	1B	W	DIO8	DIO7	DIO6	DIO5	DIO4	DIO3	DIO2	DIO1
STS2	1C	R	1	16/8N	0	1	AFFN	AEFN	BFFN	BEFN
CMDR	1C	W	CMD7	CMD6	CMD5	CMD4	CMD3	CMD2	CMD1	CMD0
ISR0	1D	R	nba	STBO	NL	EOS	IFCI	ATNI	TO	SYNC
IMR0	1D	W	1	STBO IE	NLEN	BTO	IFCI IE	ATNI IE	TO IE	SYNC IE
TIMER	1E	R/W	TMR7	TMR6	TMR5	TMR4	TMR3	TMR2	TMR1	TMR0
BSR	1F	R	ATN	DAV	NDAC	NRFD	EOI	SRQ	IFC	REN
BCR	1F	W	ATN	DAV	NDAC	NRFD	EOI	SRQ	IFC	REN

* These registers are accessible only in the ISA pin configuration.

Hidden Registers: One-Chip Mode/Turbo+7210 Mode

In addition to the registers shown in Table 3-1, the TNT4882 contains hidden registers. All hidden registers are write-only registers. Two or more hidden registers can appear at the same offset. When you write an 8-bit pattern to these offsets, some of the bits determine the hidden register that will be written; the other bits represent the value written to the register.

Address Register Map

The TNT4882 has two address registers: ADR1 and ADR0. Table 3-1 shows the offsets for the readable portion of ADR1 and ADR0. The writable portion of ADR0 and ADR1 appears at the offset of the Address Register (ADR) shown in Table 3-1. Table 3-2 shows the bit map for the two writable address registers.

Table 3-2. Hidden Registers at Offset C (ADR)

Register	Bit 7	Bit 6	Bit 5	Bit 4	Bit 3	Bit 2	Bit 1	Bit 0
ADR0	0	DT0	DL0	AD5-0	AD4-0	AD3-0	AD2-0	AD1-0
ADR1	1	DT1	DL1	AD5-1	AD4-1	AD3-1	AD2-1	AD1-1

Auxiliary Mode Register Map

Several hidden registers appear at the Auxiliary Mode Register (AUXMR) offset. Table 3-3 shows these hidden registers.

Table 3-3. Hidden Registers at Offset A (AUXMR)

Register	Bit 7	Bit 6	Bit 5	Bit 4	Bit 3	Bit 2	Bit 1	Bit 0
PPR	0	1	1	U	S	P3	P2	P1
AUXRA	1	0	0	BIN	XEOS	REOS	HLDE	HLDA
AUXRB	1	0	1	ISS	0	TRI	SPEOI	CPT ENABLE
AUXRE	1	1	0	0	DHADT	DHADC	DHDT	DHDC

(continues)

Table 3-3. Hidden Registers at Offset A (AUXMR) (Continued)

Register	Bit 7	Bit 6	Bit 5	Bit 4	Bit 3	Bit 2	Bit 1	Bit 0
AUXRF	1	1	0	1	DHATA	DHALA	DHUNTL	DHALL
AUXRG	0	1	0	0	NTNL	0	0	CHES
AUXRI	1	1	1	0	USTD	PP2	0	SISB
AUXRJ	1	1	1	1	TM3	TM2	TM1	TM0

SH_CNT Map

Several hidden registers appear at the SH_CNT offset. Table 3-4 shows these hidden registers.

Table 3-4. Register Map of the SH_CNT Register

Register	Type	Bit 7	Bit 6	Bit 5	Bit 4	Bit 3	Bit 2	Bit 1	Bit 0
PT1	W	0	0	PT1_ENA	PT1_4	PT1_3	PT1_2	PT1_1	PT1_0
T17	W	0	1	0	T17_4	T17_3	T17_2	T17_1	T17_0
T12	W	1	0	0	T12_4	T12_3	T12_2	T12_1	T12_0
T13	W	1	1	0	T13_4	T13_3	T13_2	T13_1	T13_0

The Page-In State (One-Chip Mode/Turbo+7210 Mode)

The TNT4882 implements a Page-In state to be compatible with designs that assume the TNT4882 ASIC is used in 7210 mode. When the Page-In state is true, several registers are mapped to different locations and other registers are not accessible at any offset.

When to Use the Page-In State

New software should not use the Page-In state. Only applications that require complete software compatibility with the Turbo488 and NAT4882 ASICs should use the Page-In state.

How to Page-In

The TNT4882 enters the Page-In state when the host interface writes the Page-In auxiliary command to the AUXMR. The TNT4882 registers appear at their Page-In state offset for the first register access after the Page-In command. The TNT4882 leaves the Page-In state at the end of the first register access after the Page-In command. The TNT4882 also enters the Page-In state when the PAGE pin of the TNT4882 is asserted. The TNT4882 exits the Page-In state when the PAGE pin is unasserted. See Table 3-5.

Table 3-5. One-Chip Mode and Turbo+7210 Mode Page-In State Register Offsets

Register	Type	Normal Offset (Hex)	Page-In State Offset (Hex)
SPSR	R	6	Not Accessible
SPMR	W	6	Not Accessible
CPTR	R	A	Not Accessible
ADR0	R	C	Not Accessible
ADR	W	C	Not Accessible
ADR1	R	E	Not Accessible
EOSR	W	E	Not Accessible
CSR	R	17	6
KEYREG	W	17	6
SASR	R	1B	A
ISR0	R	1D	C
IMR0	W	1D	C
BSR	R	1F	E
BCR	W	1F	E

Turbo+9914 Mode Registers

Table 3-6 is the register bit map for the TNT4882 in Turbo+9914 mode. The offsets in Table 3-6 assume that the SWAP bit is set. See *The SWAP Bit* section, which is located later in this chapter.

Table 3-6. TNT4882 Register Bit Map: Turbo+9914 Mode

Register	Offset (hex)	Type	Bit 7	Bit 6	Bit 5	Bit 4	Bit 3	Bit 2	Bit 1	Bit 0
DIR	0	R	DIO8	DIO7	DIO6	DIO5	DIO4	DIO3	DIO2	DIO1
CDOR	0	W	DIO8	DIO7	DIO6	DIO5	DIO4	DIO3	DIO2	DIO1
CPTR	2	R	CPT7	CPT6	CPT5	CPT4	CPT3	CPT2	CPT1	CPT0
PPR	2	W	PP8	PP7	PP6	PP5	PP4	PP3	PP2	PP1
SPSR †	4	R	S8	PEND	S6	S5	S4	S3	S2	S1
SPMR	4	W	S8	rsv/ RQS	S6	S5	S4	S3	S2	S1
ACCWR*	5	W	0	0	0	0	0	0	0	DMAEN
ISR2 †	6	R	nba	STBO	NL	EOS	LLOC	ATNI	TO	0
ADR	6	W	edpa	dal	dat	A5	A4	A3	A2	A1
INTR*	7	W	0	0	0	0	0	0	0	INTEN
ADSR	8	R	REM	LLO	ATN	LPAS	TPAS	LA	TA	ulpa
IMR2 †	8	W	1	STBO IE	NLEN	BTO	LLOC IE	ATNI IE	TO IE	0
EOSR †	8	W	EOS7	EOS6	EOS5	EOS4	EOS3	EOS2	EOS1	EOS0
BCR †	8	W	ATN	DAV	NDAC	NRFD	EOI	SRQ	IFC	REN
ACCR †	8	W	ACC7	ACC6	ACC5	ACC4	ACC3	ACC2	ACC1	ACC0
CNT2	9	R/W	CNT23	CNT22	CNT21	CNT20	CNT19	CNT18	CNT17	CNT16
BSR	A	R	ATN	DAV	NDAC	NRFD	EOI	SRQ	IFC	REN
AUXCR	A	W	C/S	0	0	F4	F3	F2	F1	F0
CNT3	B	R/W	CNT31	CNT30	CNT29	CNT28	CNT27	CNT26	CNT25	CNT24

(continues)

Table 3-6. TNT4882 Register Bit Map: Turbo+9914 Mode (Continued)

Register	Offset (hex)	Type	Bit 7	Bit 6	Bit 5	Bit 4	Bit 3	Bit 2	Bit 1	Bit 0
ISR0	C	R	INT0	INT1	BI	BO	END	SPAS	RLC	MAC
IMR0	C	W	DMAO	DMAI	BI IE	BO IE	END IE	SPAS IE	RLC IE	MAC IE
HSEL	D	W	0	0	GO2 SIDS	NODMA	0	0	0	ONEC
ISR1	E	R	GET	ERR	UNC	APT	DCAS	MA	X	IFC
IMR1	E	W	GET IE	ERR IE	UNC IE	APT IE	DCAS IE	MA IE	0	IFC IE
STS1	10	R	DONE	0	IN	DRQ	STOP	DAV	HALT	GSYNC
CFG	10	W	0	TLC HLTE	IN	A/BN	CCEN	TMOE	TIM/ BYTN	16/8N
IMR3	12	R/W	0	INT SRC2 IE	0	STOP IE	NFF IE	NEF IE	TLC INT IE	DONE IE
HIER	13	W	DGA	DGB	0	NO_TSETUP	0	0	0	PMT_W_EOS
CNT0	14	R/W	CNT7	CNT6	CNT5	CNT4	CNT3	CNT2	CNT1	CNT0
CNT1	16	R/W	CNT15	CNT14	CNT13	CNT12	CNT11	CNT10	CNT9	CNT8
FIFOB	18	R/W	FB7	FB6	FB5	FB4	FB3	FB2	FB1	FB0
FIFOA	19	R/W	FA15	FA14	FA13	FA12	FA11	FA10	FA9	FA8
ISR3	1A	R	INT	INT SRC2	0	STOP	NFF	NEF	TLC INT	DONE
CCR	1A	W	D7	D6	D5	D4	D3	D2	D1	D0
STS2	1C	R	1	16/8N	0	1	AFFN	AEFN	BFFN	BEFN
CMDR	1C	W	CMD7	CMD6	CMD5	CMD4	CMD3	CMD2	CMD1	CMD0
TIMER	1E	R/W	TMR7	TMR6	TMR5	TMR4	TMR3	TMR2	TMR1	TMR0

* These registers are accessible only in the ISA pin configuration.
† Page-In registers. See Turbo+9914 Page-In State.

Hidden Registers: Turbo+9914 Mode

In addition to the registers shown above, the TNT4882 contains hidden registers. All hidden registers are write-only registers. Two or more hidden registers can appear at the same offset. When you write an 8-bit pattern to these offsets, some of the bits determine the hidden register that will be written; the other bits represent the value written to the register.

Accessory Read Register Map

Several hidden registers appear at the ACCR offset. Table 3-7 shows these hidden registers.

Table 3-7. Hidden Registers at the ACCR Offset

Register	Bit 7	Bit 6	Bit 5	Bit 4	Bit 3	Bit 2	Bit 1	Bit 0
ACCRA	1	0	0	BIN	XEOS	REOS	0	0
ACCRB	1	0	1	ISS	0	0	SPEOI	0
ACCRES	1	1	0	0	DHADT	DHADC	0	0
ACCRF	1	1	0	1	DHATA	DHALA	DHUNT	DHALL
ACCRI	1	1	1	0	USTD	PP1	0	DMAE
ACCRJ	1	1	1	1	TM3	TM2	TM1	TM0

The SWAP Bit

The offsets of some Turbo+9914 mode registers depend on the value of the SWAP bit. SWAP does not affect the offsets of Turbo+7210 mode or one-chip mode registers.

In Turbo+9914 mode, the TNT4882 transfer state machine moves data between the FIFOs and the TNT4882 circuitry. The transfer state machine assumes that the Data In Register (DIR) and the Command/Data Out Register (CDOR) are located at offset 0. In Turbo+9914 mode, however, the DIR and CDOR are located at offset 0 only if SWAP = 1. If the FIFOs will be used in Turbo+9914 mode, the SWAP bit should be 1.

Setting the SWAP Bit

During a hardware reset, the TNT4882 samples the logic value on the SWAPN pin. If SWAPN is low during a hardware reset, the SWAP bit is set. If SWAPN is high during a hardware reset, the SWAP bit is cleared. You can also set or clear the SWAP bit by

writing to the Key Control Register (KCR). KCR is accessible only when the TNT4882 is in Turbo+7210 mode or one-chip mode.

Note: *If you use the TNT4882 in the ISA pin configuration, the SWAPN pad is not accessible external to the chip but is internally shorted to the MODE pin. Thus, in ISA pin configuration, if the MODE pin is asserted during a hardware reset, the TNT4882 powers up in Turbo+9914 mode with the SWAP bit set.*

Recommendation

For applications that use Turbo+9914 mode, National Instruments recommends that the SWAP bit is set in Turbo+9914 mode. The easiest way to implement a Turbo+9914 mode application is to connect the MODE pin and SWAPN pin to ground.

The Page-In Condition (Turbo+9914 Mode)

Four writable registers can appear at the same offset as the Address Status Register (offset 4 if SWAP = 0; offset 8 if SWAP = 1). After a hardware or software reset, no writable register appears at the Address Status Register (ADSR) offset; the TNT4882 ignores writes to that offset.

One Page-In auxiliary command exists for each of the four registers. The host interface can make one of the four registers accessible by issuing the appropriate Page-In command to the Auxiliary Command Register (AUXCR). The paged-in register remains accessible at the ADSR offset until the host interface either pages-in another register or issues the Clear Page-In Register auxiliary command.

When any one of the four writable registers is accessible at the ADSR offset, Interrupt Status Register 2 (ISR2) is accessible at the same offset as the ADR, and the Serial Poll Status Register (SPSR) is accessible at the same offset as the Serial Poll Mode Register (SPMR).

Register Bit Descriptions

8-Bit Versus 16-Bit Accesses

All TNT4882 registers are 8-bit registers. However, by making a 16-bit access to the same offset as FIFO B, the host interface can access FIFO A and FIFO B simultaneously to form a 16-bit register.

9914 and 7210 Registers with Identical Names

Some registers are accessible only in Turbo+9914 mode and some registers are accessible only in Turbo+7210 mode or one-chip mode. Some registers are accessible in several modes, but their bits have completely different meanings. Make sure you read the bit descriptions that are appropriate for the mode your application uses.

All registers are listed in alphabetical order. The registers are alphabetized according to their mnemonics.

Accessory Register A (ACCRA)

Mode: Turbo+9914 mode

Attributes: Write only
Accessed at the same offset as ACCR

7	6	5	4	3	2	1	0
1	0	0	BIN	XEOS	REOS	0	0

Accessory Register A (ACCRA) controls the EOS and END messages. A `ch_rst` auxiliary command or a hardware reset clears ACCRA.

Bit	Mnemonic	Description
4w	BIN	Binary bit The BIN bit selects the length of the EOS message. If <code>BIN = 1</code> , the EOSR is treated as an 8-bit byte. When <code>BIN = 0</code> , the EOSR is treated as a 7-bit register (for ASCII characters), and only a 7-bit comparison is done with the data on the GPIB.
3w	XEOS	Transmit END With EOS bit The XEOS bit permits or prohibits automatic transmission of the GPIB END message at the same time as the EOS message when the TNT4882 is in Talker Active State (TACS). If <code>XEOS = 1</code> and the byte in the CDOR matches the contents of the EOSR, the EOI line is sent true along with the data.
2w	REOS	END On EOS Received bit The REOS bit permits or prohibits setting the END bit (<code>ISR0[3]r</code>) when the TNT4882 receives the EOS message as a Listener. If <code>REOS = 1</code> and the byte in the DIR matches the byte in the EOSR, the END bit is set and the acceptor function treats the EOS character just as if it were received with EOI asserted.

Accessory Register B (ACCRB)

Mode: Turbo+9914 mode

Attributes: Write only
Accessed at the same offset as ACCR

7	6	5	4	3	2	1	0
1	0	1	ISS	0	0	SPEOI	0

Bit	Mnemonic	Description
-----	----------	-------------

4w	ISS	Individual Status Select bit
----	-----	------------------------------

ISS determines the value of the TNT4882 ist message. When ISS = 1, ist takes on the value of the TNT4882 SRQS. (The TNT4882 is asserting the GPIB SRQ message when it is in SRQS.) If ISS = 0, ist takes on the value of the TNT4882 Parallel Poll Flag. You set and clear the Parallel Poll Flag by using the Set Parallel Poll Flag and Clear Parallel Poll Flag auxiliary commands.

1w	SPEOI	Send Serial Poll EOI bit
----	-------	--------------------------

SPEOI permits or prohibits the transmission of the END message in SPAS. If SPEOI = 1, EOI is sent true when the TNT4882 is in SPAS and is sourcing an STB. Otherwise, EOI is sent false in SPAS.

Accessory Register E (ACCRE)

Mode: Turbo+9914 mode

Attributes: Write only
Accessed at the same offset as ACCR

7	6	5	4	3	2	1	0
1	1	0	0	DHADT	DHADC	0	0

Accessory Register E (ACCRE) determines how the TNT4882 uses a Data Accepted (DAC) holdoff. A `ch_rst` auxiliary command or a hardware reset clears ACCRE.

Each bit of ACCRE enables DAC holdoffs on a GPIB command or group of commands. When a GPIB Controller sends the specified command to the TNT4882, the CPT bit sets and the TNT4882 performs a DAC holdoff. See the *DAC Holdoffs* section in Chapter 4, *TNT4882 Programming Considerations*.

Bit	Mnemonic	Description
3w	DHADT	DAC Holdoff On GET bit
2w	DHADC	DAC Holdoff On DCL Or SDC bit

Accessory Register F (ACCRF)

Mode: Turbo+9914 mode

Attributes: Write only
Accessed at the same offset as ACCR

7	6	5	4	3	2	1	0
1	1	0	1	DHATA	DHALA	DHUNTTL	DHALL

Accessory Register F (ACCRF) determines how the TNT4882 uses a DAC holdoff. A `ch_rst` auxiliary command or a hardware reset clears ACCRF.

Each bit of ACCRF enables DAC holdoffs on a GPIB command or group of commands. When a GPIB Controller sends the specified command to the TNT4882, the CPT bit sets and the TNT4882 performs a DAC holdoff. See the *DAC Holdoffs* section in Chapter 4, *TNT4882 Programming Considerations*.

Bit	Mnemonic	Description
3w	DHATA	DAC Holdoff On All Talker Addresses bit
2w	DHALA	DAC Holdoff On All Listener Addresses bit
1w	DHUNTTL	DAC Holdoff On The UNT Or UNL Command bit
0w	DHALL	DAC Holdoff On All UCG, ACG, And SCG Commands bit

Accessory Register I (ACCRI)

Mode: Turbo+9914 mode

Attributes: Write only
Accessed at the same offset as ACCR

7	6	5	4	3	2	1	0
1	1	1	0	USTD	PP1	0	DMAE

Bit	Mnemonic	Description
3w	USTD	Ultra Short T1 Delay bit If USTD = 1, the T1 delay can be as short as 350 ns. See the <i>T1 Delay Generation</i> section in Chapter 4, <i>TNT4882 Programming Considerations</i> .
2w	PP1	Parallel Poll bit 1 The PP1 bit permits or prohibits the TNT4882's ability to automatically respond to remote parallel poll configuration. If PP1 = 1, the interface can be configured remotely for parallel polls. The Acceptor Handshake does not perform a DAC holdoff or set the UNC bit when it receives a Parallel Poll Command (PPC or PPU). If PP1 = 0, parallel polls must be configured through the PPR, and Parallel Poll commands must be monitored by UNC.
0w	DMAE	DMA Enable bit If you use the FIFOs for data transfers, set DMAE. For GPIB reads, also set DMAI in IMR0. For GPIB writes, also set DMAO in IMR0.

Accessory Register J (ACCRJ)

Mode: Turbo+9914 mode

Attributes: Write only
Accessed at the same offset as ACCR

7	6	5	4	3	2	1	0
1	1	1	1	TM3	TM2	TM1	TM0

Accessory Register J (ACCRJ) sets the timeout value of the Timer interrupt. The timeout value can be set between 15 μ s to 125 s when the TNT4882 clock is 40 MHz. The Timer starts when TM[3–0] are written with a nonzero value. The TO bit in ISR2 sets when the timeout value expires. The Timer is cleared when a 0 is written to TM[3–0]. For more information on the Timer interrupt capability, see the *Interrupt Status Register 2 (ISR2)—Turbo+9914 Mode* section in this chapter. The ACCRJ is reset by a hardware reset or a ch_rst auxiliary command.

Note: *This timer is independent of the DRQ assertion timer described by the TIMER.*

Bit	Mnemonic	Description
3–0w	TM[3–0]	Timer bits 3 through 0

Table 3-8 lists the approximate timeout values that ACCRJ supports at 40 MHz. If the TNT4882 uses another clock frequency, the timeout value can be computed with the following formula:

$$\text{time} = (2^{\text{factor}} * 5) / \text{frequency}$$

Table 3-8. Timeout Values in Turbo+9914 Mode

TM3–0	Timeout Value (> or =)	Factor
0000	Disabled	–
0001	16 μ s	7
0010	32 μ s	8
0011	128 μ s	10
0100	256 μ s	11

(continues)

ACCRJ (continued)Table 3-8. Timeout Values in Turbo+9914 Mode
(Continued)

TM3-0	Timeout Value (> or =)	Factor
0101	1 ms	13
0110	4 ms	15
0111	16 ms	17
1000	33 ms	18
1001	131 ms	20
1010	262 ms	21
1011	1 s	23
1100	4 s	26
1101	17 s	27
1110	34 s	28
1111	134 s	30

Depending on the value of the BTO bit, IMR2[4]w, the Timer works with two different types of timeouts. If BTO = 0, the Timer starts when the host interface writes a nonzero value to the Timer Register. When the Timer reaches the timeout value, it sets the TO bit.

If BTO = 1, the Timer operates in byte timeout mode. In this mode, the Timer starts when the host interface writes a nonzero value to the Timer Register. The Timer counts until it reaches the timeout value. However, reads of the DIR or writes of the CDOR clear the Timer and force it to begin counting again. If TO is set in byte timeout mode, it remains set until the Timer Register is written. Further reads of DIR or writes of CDOR have no effect on TO until the Timer Register is written.

Accessory Write Register (ACCWR)

Type: All modes
ISA pin configuration only

Attributes: Write only

7	6	5	4	3	2	1	0
0	0	0	0	0	0	0	DMAEN

Bit	Mnemonic	Description
7-1w	0	Write 0 to these bits.
0w	DMAEN	DMA Enable bit

When DMAEN = 0, the TNT4882 tristates the DRQ pin and ignores the DACKN pin. When DMAEN = 1, the TNT4882 responds to DMA accesses and drives DRQ high or low. The host interface should set DMAEN at the beginning of a DMA transfer, before the host interface enables the DMA controller. The host interface should clear DMAEN at the completion of a DMA transfer.

A hardware reset clears DMAEN.

Address Mode Register (ADMR)

Type: One-chip mode
 Turbo+7210 mode

Attributes: Write only

7	6	5	4	3	2	1	0
ton	lon	1	1	0	0	ADM1	ADM0

The host interface can put the TNT4882 into one of six GPIB addressing modes by writing to the Address Mode Register (ADMR). The value of the ADMR is undefined after a hardware reset. Before the host interface can clear pon, it must write a valid pattern to the ADMR. All values not defined in the following table are reserved.

Table 3-9. Valid ADMR Patterns

Hex Value of ADMR	GPIB Addressing Mode
30	<p>No Addressing</p> <p>The Controller cannot address the TNT4882 to become a Talker or Listener in no-addressing mode.</p>
31	<p>Normal Dual Addressing</p> <p>The TNT4882 can implement one or two logical devices by using normal dual addressing.</p> <p>See the <i>GPIB Addressing</i> section in Chapter 4, <i>TNT4882 Programming Considerations</i>.</p>
32	<p>Extended Single Addressing</p> <p>Extended single addressing mode implements the Extended Listener and Extended Talker functions, as defined in the IEEE 488 standard, without intervention from the host interface.</p> <p>See the <i>GPIB Addressing</i> section in Chapter 4, <i>TNT4882 Programming Considerations</i>.</p>

(continues)

ADMR (continued)

Table 3-9. Valid ADMR Patterns (Continued)

Hex Value of ADMR	GPIB Addressing Mode
33	<p>Extended Dual Addressing</p> <p>Extended dual addressing mode implements the Extended Listener and Extended Talker functions, as defined in the IEEE 488 standard. This mode requires intervention from the host interface.</p> <p>See the <i>GPIB Addressing</i> section in Chapter 4, <i>TNT4882 Programming Considerations</i>.</p>
70	<p>Listen Only (lon)</p> <p>The TNT4882 becomes a GPIB Listener and enters the Listener Active State (LACS). Do not use lon if a GPIB Controller is present in the GPIB system.</p> <p>The host interface should write a hex 30 (No Addressing) to the ADMR immediately after it writes lon to the ADMR. To force the TNT4882 to exit LACS, issue the unlisten (lul) auxiliary command.</p>
B0	<p>Talk Only (ton)</p> <p>The TNT4882 becomes a GPIB Talker. Do not use ton if a GPIB Controller is present in the GPIB system.</p> <p>The host interface should write a hex 30 (No Addressing) to the ADMR immediately after it writes ton to the ADMR. To force the TNT4882 to exit TACS, issue the local untalk (lut) auxiliary command.</p>

Address Register (ADR)—One-Chip Mode, Turbo+7210 Mode

Type: One-chip mode
 Turbo+7210 mode

Attributes: Write only

7	6	5	4	3	2	1	0
ARS	DT	DL	AD5	AD4	AD3	AD2	AD1

Writing to the Address Register (ADR) loads the internal registers ADR0 and ADR1. You must load both ADR0 and ADR1 for all addressing modes.

Bit	Mnemonic	Description
7w	ARS	Address Register Select bit If ARS = 1, writing to the ADR loads the seven low-order bits of ADR into internal register ADR1. If ARS = 0, writing to the ADR loads the seven low-order bits of ADR into ADR0.
6w	DT	Disable Talker bit DT = 1 disables recognition of the GPIB talk address formed from AD5 through AD1(ADR[4–0]w). ADR0 and ADR1 have independent DT bits.
5w	DL	Disable Listener bit DL = 1 disables recognition of the GPIB listen address formed from AD5 through AD1(ADR[4–0]w). ADR0 and ADR1 have independent DL bits.
4–0w	AD[5–1]	TNT4882 GPIB Address bits 5 through 1 These bits specify the GPIB address of the TNT4882. The corresponding GPIB talk address is formed by adding hex 40 to AD[5–1], while the corresponding GPIB listen address is formed by adding hex 20 to AD[5–1]. The value written to AD[5–1] should not be 11111 (binary), because the corresponding talk and listen addresses would conflict with the GPIB Untalk (UNT) and GPIB Unlisten (UNL) commands.

Address Register (ADR)—Turbo+9914 Mode

Mode: Turbo+9914 mode

Attributes: Write only

7	6	5	4	3	2	1	0
edpa	dal	dat	A5	A4	A3	A2	A1

ADR is used to load the primary GPIB address of the interface.

Bit	Mnemonic	Description
7w	edpa	Enable Dual Primary Addressing Mode bit Setting edpa enables the dual primary addressing mode of the TNT4882. If edpa = 1, the TNT4882 ignores the least significant bit (A1) of its GPIB address. The TNT4882 then has two consecutive primary addresses. The ulpa bit indicates which address is active.
6w	dal	Disable Listener bit Setting dal returns the TNT4882 Listener function to LIDS and forces the TNT4882 Listener function to remain in LIDS even if the chip receives its GPIB listen address or a lon auxiliary command.
5w	dat	Disable Talker bit Setting dat returns the TNT4882 Talker function to TIDS and forces the Talker function to remain in TIDS even if the chip receives its GPIB talk address or a ton auxiliary command.
4–0w	A[5–1]	TNT4882 GPIB Address bits 5 through 1 AD[5–1] specify the primary GPIB address of the TNT4882. The corresponding GPIB talk address is formed by adding hex 40 to AD[5–1], while the corresponding GPIB listen address is formed by adding hex 20. AD[5–1] should not be 11111 (binary), because the corresponding talk and listen addresses then conflict with the GPIB UNT and GPIB UNL commands.

Address Register 0 (ADR0)

Type: One-chip mode
 Turbo+7210 mode

Attributes: Read only

7	6	5	4	3	2	1	0
X	DT0	DL0	AD5–0	AD4–0	AD3–0	AD2–0	AD1–0

Address Register 0 (ADR0) reflects the internal GPIB address status of the TNT4882. In extended single addressing mode, ADR0 indicates the address and enable bits for the primary GPIB address of the TNT4882. In the dual primary addressing modes, ADR0 indicates the TNT4882 major primary GPIB address. See the *GPIB Addressing* section in Chapter 4, *TNT4882 Programming Considerations*.

Bit	Mnemonic	Description
7r	X	Reads back a 1 or 0.
6r	DT0	Disable Talker 0 bit If DT0 = 1, the primary (or major) Talker is not enabled, and this register is not compared with GPIB Talker addresses. If DT0 = 0, the TNT4882 responds to a GPIB talk address matching bits AD[5–0 through 1–0].
5r	DL0	Disable Listener 0 bit If DL0 = 1, the primary (or major) Listener is not enabled, and this register is not compared with GPIB Listener addresses. If DL0 = 0, the TNT4882 responds to a GPIB listen address matching bits AD[5–0 through 1–0].
4–0r	AD[5–0 – 1–0]	TNT4882 GPIB Address bits 5–0 through 1–0 These are the lower 5 bits of the TNT4882 GPIB primary (or major) address. The primary talk address is formed by adding hex 40 to AD[5–0 through 1–0], while the listen address is formed by adding hex 20.

Address Register 1 (ADR1)

Type: One-chip mode
Turbo+7210 mode

Attributes: Read only

7	6	5	4	3	2	1	0
EOI	DT1	DL1	AD5-1	AD4-1	AD3-1	AD2-1	AD1-1

Address Register 1 (ADR1) indicates the status of the GPIB address and enable bits for the secondary address of the TNT4882 if extended single addressing is used. ADR1 indicates the minor primary address of the TNT4882 if dual primary addressing is used. See the *GPIB Addressing* section in Chapter 4, *TNT4882 Programming Considerations*.

Bit	Mnemonic	Description
7r	EOI	End-or-Identify bit EOI indicates the value of the GPIB EOI line that is latched when a data byte is received by the TNT4882 GPIB Acceptor Handshake (AH) function. If EOI = 1, the EOI line was asserted with the received byte. EOI is cleared by issuing the chip reset auxiliary command. EOI is updated after each byte is received.
6r	DT1	Disable Talker 1 bit If DT1 = 1, the secondary (or minor) Talker function is not enabled—that is, the GPIB secondary address (or minor primary talk address) is not compared with this register.
5r	DL1	Disable Listener 1 bit If DL1 = 1, the secondary (or minor) Listener function is not enabled—that is, the GPIB secondary address (or minor primary listen address) is not compared with this register.
4-0r	AD[5-1 – 1-1]	TNT4882 GPIB Address bits 5-1 through 1-1 These bits indicate the TNT4882 secondary or minor address. Form the secondary address by adding hex 60 to bits AD[5-1 through 1-1]. Form the minor talk address by adding hex 40 to AD[5-1 through 1-1]. Form the listen address by adding a hex 20.

Address Status Register (ADSR)—Turbo+7210 Mode

Type: One-chip mode
 Turbo+7210 mode

Attributes: Read only

7	6	5	4	3	2	1	0
X	ATN*	SPMS	LPAS	TPAS	LA	TA	MJMN

The Address Status Register (ADSR) contains information that you can use to monitor the TNT4882 GPIB address status.

Bit	Mnemonic	Description
7r	X	Don't care bit This bit reads as 1 or 0.
6r	ATN*	Attention* bit ATN* is a status bit that indicates the current level of the GPIB ATN* signal. If ATN* = 0, the GPIB ATN* signal is asserted.
5r	SPMS	Serial Poll Mode State bit If SPMS = 1, the TNT4882 GPIB Talker (T) or Talker Extended (TE) function is enabled to participate in a serial poll. SPMS is set by SPE & ACDS SPMS is cleared by (SPD & ACDS) + pon + IFC

ADSR—Turbo+7210 Mode (continued)

Bit	Mnemonic	Description
4r	LPAS	<p>Listener Primary Addressed State bit</p> <p>LPAS indicates that the TNT4882 has received its primary listen address. See the <i>Address Mode Register (ADMR)</i> section in this chapter.</p> <p>LPAS is cleared by (PCG & ~MLA & ACDS) + pon</p>
3r	TPAS	<p>Talker Primary Addressed State bit</p> <p>TPAS indicates that the TNT4882 has received its primary GPIB talk address. See the <i>Address Mode Register (ADMR)</i> section in this chapter.</p> <p>TPAS is cleared by (PCG & ~MTA & ACDS) + pon</p>
2r	LA	<p>Listener Active bit</p> <p>LA = 1 when the TNT4882 has been addressed or programmed as a GPIB Listener—that is, the TNT4882 is in the Listener Active State (LACS) or the Listener Addressed State (LADS). The TNT4882 is addressed to listen when it receives its listen address from the CIC. The TNT4882 can also be programmed to listen by using the Listen-Only (lon) bit in the ADMR.</p> <p>If the TNT4882 is addressed to listen, it is automatically unaddressed to talk.</p> <p>LA is also cleared by (UNL & ACDS) + IFC + pon + lul</p>
1r	TA	<p>Talker Active bit</p> <p>TA = 1 when the TNT4882 has been addressed or programmed as the GPIB Talker—that is, the TNT4882 is in the Talker Active State (TACS), the Talker Addressed</p>

ADSR—Turbo+7210 Mode (continued)

Bit	Mnemonic	Description
		<p>State (TADS), or the Serial Poll Active State (SPAS). The TNT4882 can be addressed to talk when it receives its talk address from the CIC. It can also be programmed to talk by using the Talk-Only (ton) bit in the ADMR.</p> <p>If the TNT4882 is addressed to talk, it is automatically unaddressed to listen.</p> <p>TA is also cleared by (OTA & ACDS) + IFC + pon + lut</p>
Or	MJMN	<p>Major-Minor bit</p> <p>MJMN indicates whether the information in the other ADSR bits applies to the TNT4882 major or minor Talker and Listener functions. MJMN = 1 when the TNT4882 receives its GPIB minor talk address or minor listen address. MJMN clears when the TNT4882 receives its major talk or major listen address. The pon message also clears MJMN.</p> <p>Note: <i>Only one Talker or Listener can be active at a time. The MJMN bit indicates which, if either, of the TNT4882 Talker and Listener functions is addressed or active.</i></p> <p>MJMN is always 0 unless the normal or extended dual primary addressing mode is enabled. (See the <i>Address Mode Register</i> section in this chapter.)</p>

Address Status Register (ADSR)—Turbo+9914 Mode

Mode: Turbo+9914 mode

Attributes: Read only

7	6	5	4	3	2	1	0
REM	LLO	ATN	LPAS	TPAS	LA	TA	ulpa

The Address Status Register (ADSR) contains information that you can use to monitor the TNT4882 GPIB address status.

Bit	Mnemonic	Description
7r	REM	Remote bit
6r	LLO	Local Lockout bit

LLO and REM indicate the status of the TNT4882 GPIB Remote/Local (RL1) function. REM = 1 when the TNT4882 GPIB RL1 function is in either Remote State (REMS) or Remote With Lockout State (RWLS). LLO = 1 when the TNT4882 is in Local With Lockout State (LWLS) or RWLS.

REM	LLO	RL1 State
0	0	LOCS
0	1	LWLS
1	0	REMS
1	1	RWLS

5r	ATN	Attention bit
----	-----	---------------

ATN indicates the current level of the GPIB ATN signal. If ATN = 1, the GPIB ATN signal is asserted.

4r	LPAS	Listener Primary Addressed State bit
----	------	--------------------------------------

LPAS indicates that the TNT4882 has accepted its primary listen address.

LPAS is cleared by
(PCG & ~MLA & ACDS) + pon

ADSR—Turbo+9914 Mode (continued)

Bit	Mnemonic	Description
3r	TPAS	<p>Talker Primary Addressed State bit</p> <p>TPAS indicates that the TNT4882 has accepted its primary talk address.</p> <p>TPAS is cleared by (PCG & ~MTA & ACDS) + pon</p>
2r	LA	<p>Listener Active bit</p> <p>LA = 1 when the TNT4882 has been addressed or programmed as a GPIB Listener—that is, the TNT4882 is in LACS or LADS. The TNT4882 is addressed to listen by receiving its listen address from the CIC. You can also program the TNT4882 to listen by using the Listen-Only auxiliary command.</p> <p>If the TNT4882 is addressed to listen, it is automatically unaddressed to talk.</p> <p>LA is cleared by pon + IFC + (UNL & ACDS)</p>
1r	TA	<p>Talker Active bit</p> <p>TA = 1 when the TNT4882 has been addressed or programmed as the GPIB Talker—that is, the TNT4882 is in TACS, TADS, or SPAS. The TNT4882 can be addressed to talk by receiving its talk address from the CIC. You can also program the TNT4882 to talk by using the Talk-Only auxiliary command.</p> <p>If the TNT4882 is addressed to talk, it is automatically unaddressed to listen.</p> <p>TA is cleared by pon + IFC + (OTA & ACDS)</p>

ADSR—Turbo+9914 Mode (continued)

Bit	Mnemonic	Description
Or	ulpa	Upper/Lower Primary Address bit ulpa indicates the least significant bit of the last primary address that the TNT4882 received. Note: <i>Only one Talker or Listener is active at a time. ulpa indicates which, if either, TNT4882 Talker or Listener function is addressed or active.</i> The ch_rst auxiliary command clears ulpa.

Auxiliary Command Register (AUXCR)

Mode: Turbo+9914 mode

Attributes: Write only

7	6	5	4	3	2	1	0
C/S	0	0	F4	F3	F2	F1	F0

Use the AUXCR to issue auxiliary commands. Two basic types of commands are implemented in the AUXCR: pulsed and static. Use static commands to enable (set) or disable (clear) various features of the TNT4882. The pulsed commands stay active for one clock pulse after the AUXCR has been written.

Note: *Writes to the AUXCR must be separated by at least four clock cycles.*

Table 3-10 summarizes the auxiliary commands and Table 3-11 describes the auxiliary commands.

Table 3-10. Auxiliary Command Summary

Hex Code	Type	Mnemonic	Auxiliary Command
00 80	static static	~swrst swrst	Clear Software Reset Set Software Reset
01 81	static static	nonvalid valid	Nonvalid Release DAC Holdoff Valid Release DAC Holdoff
02	pulsed	rhdf	Release RFD Holdoff
03 83	static static	~hdfa hdfa	Clear Holdoff On All Data Set Holdoff On All Data
04 84	static static	~hdfe hdfe	Clear Holdoff On END Only Set Holdoff On END Only
05	pulsed	nba	New Byte Available False
06 86	static static	~fget fget	Clear Force Group Execute Trigger Set Force Group Execute Trigger
07 87	static static	~rtl rtl	Clear Return To Local Set Return To Local
08	pulsed	feoi	Send EOI With The Next Byte

(continues)

AUXCR (continued)

Table 3-10. Auxiliary Command Summary (Continued)

Hex Code	Type	Mnemonic	Auxiliary Command
09 89	static static	~lon lon	Clear Listen Only Set Listen Only
0A 8A	static static	~ton ton	Clear Talk Only Set Talk Only
13 93	static static	~dai dai	Clear Disable IMR2, IMR1, and IMR0 Interrupts Set Disable IMR2, IMR1, and IMR0 Interrupts
14	pulsed	pts	Pass Through Next Secondary
15 95	static static	~stdl stdl	Clear Short T1 Settling Time Set Short T1 Settling Time
17 97	static static	~vstdl vstdl	Clear Very Short T1 Delay Set Very Short T1 Delay
18 98	static static	~rsv2 rsv2	Clear Request Service bit 2 Set Request Service bit 2
99	pulsed	sw7210	Switch To 7210 Mode
1A 9A	pulsed pulsed	reqf reqt	Request rsv False (reqf) Request rsv True (reqt)
1C	pulsed	ch_rst	Issue a Chip Reset
1D 9D	static static	~ist ist	Clear Parallel Poll Flag Set Parallel Poll Flag
1E	pulsed	piimr2	Page-In Interrupt Mask Register 2
1F	pulsed	pibcr	Page-In Bus Control Register
9C	pulsed	clrpi	Clear Page-In Registers
9E	pulsed	pieosr	Page-In End-of-String Register
9F	pulsed	piaccr	Page-In Accessory Register

Values not specified are reserved.

AUXCR (continued)

Table 3-11. Auxiliary Command Description

Data Pattern (Hex)	Description
00 80	<p>Clear Software Reset (~swrst) Set Software Reset (swrst)</p> <p>The local swrst message places all GPIB interface functions into their idle states. swrst is equivalent to the GPIB local pon message.</p> <p>swrst is set by a hardware reset, the ch_rst auxiliary command, or the swrst auxiliary command. You should configure the TNT4882 while swrst is set. Configuration includes writing the address of the device into the Address Register, writing mask values into the Interrupt Mask Registers, and selecting the desired features in the Auxiliary Command, Accessory, and Address Registers.</p> <p>When swrst is cleared, the device becomes logically existent on the GPIB.</p>
01 81	<p>Clear DAC Holdoff (nonvalid) Clear DAC Holdoff (valid)</p> <p>These commands clear a DAC holdoff condition. When APT = 1, <i>nonvalid</i> indicates that the last GPIB command byte received from the Controller was an invalid secondary address. <i>Valid</i> indicates a valid secondary address.</p> <p>A DAC holdoff caused by any other GPIB command byte should be released with the invalid command.</p>
02	<p>Release RFD Holdoff (rhdf)</p> <p>This command releases any RFD holdoffs that hdfa or hlde have caused.</p>
03 83	<p>Clear Holdoff On All Data (~hdfa) Set Holdoff On All Data (hdfa)</p> <p>If hdfa is true, the TNT4882 performs an RFD holdoff after it receives a data byte. To complete the handshake, you must issue the rhdf command after the TNT4882 receives each byte.</p>

(continues)

AUXCR (continued)

Table 3-11. Auxiliary Command Description (Continued)

Data Pattern (Hex)	Description
04 84	<p>Clear Holdoff On END Only (~hdfe) Set Holdoff On END Only (hdfe)</p> <p>If hdfe is true, the TNT4882 performs an RFD holdoff after it receives a data byte that satisfies the END condition.</p>
05	<p>New Byte Available False (nbaf)</p> <p>nbaf forces the local message, nba, to become false. This action prohibits the TNT4882 from sending the last byte written to the CDOR.</p>
06 86	<p>Clear Force Group Execute Trigger (~fget) Set Force Group Execute Trigger (fget)</p> <p>These commands generate a trigger condition.</p> <p>If the host interface issues ~fget, the TR pin pulses asserted for at least five clock cycles.</p> <p>If the host interface issues fget, the TR pin asserts and remains asserted until the host interface issues ~fget.</p> <p>These commands do not set or clear the GET bit.</p>
07 87	<p>Clear Return To Local (~rtl) Set Return To Local (rtl)</p> <p>These commands set and clear the IEEE 488 standard rtl local message.</p> <p>If the host interface issues the ~rtl command, the IEEE 488 standard rtl message pulses true.</p> <p>If the host interface issues the rtl command, the rtl message becomes true and remains true until the host interface issues ~rtl.</p>

(continues)

AUXCR (continued)

Table 3-11. Auxiliary Command Description (Continued)

Data Pattern (Hex)	Description
08	<p>Send EOI With The Next Byte (feoi)</p> <p>The Send EOI command causes the GPIB EOI line to go true with the next data byte transmitted.</p>
09 89	<p>Clear Listen Only (~lon) Set Listen Only (lon)</p> <p>lon forces the Listener function into the Listener Active State. ~lon forces the Listener function to leave the Listener Active State.</p>
0A 8A	<p>Clear Talk Only (~ton) Set Talk Only (ton)</p> <p>ton forces the Talker function into the Talker Active State. ~ton forces the Talker function to leave the Talker Active State.</p>
13 93	<p>Clear Disable IMR2, IMR1, And IMR0 Interrupts (~dai) Set Disable IMR2, IMR1, And IMR0 Interrupts (dai)</p> <p>Issuing dai disables the interrupt pin. The Interrupt Status Registers and any holdoffs selected in the Interrupt Mask Register are not affected by the dai command.</p>

(continues)

AUXCR (continued)

Table 3-11. Auxiliary Command Description (Continued)

Data Pattern (Hex)	Description
14	<p>Pass Through Next Secondary (pts)</p> <p>After you issue the pts command, UNC (ISR1[5]) sets when the TNT4882 receives a secondary command from the Controller.</p> <p>If PP1 = 0, you can use the pts command to implement remote parallel poll configuration.</p> <p>Note: <i>It is simpler to set the PP1 bit to implement remote parallel poll configuration. When PP1 = 1, the TNT4882 interprets remote parallel poll configuration commands without software intervention.</i></p> <p>If the TNT4882 receives the PPC command, UNC sets. When the control program detects UNC, the control program issues pts. UNC sets again when the Controller sends the PPE command. The control program reads the CPTR to obtain the PPE command, then the control program writes the appropriate value to the PPR.</p>
15 95	<p>Clear Short T1 Delay (~stdl) Set Short T1 Delay (stdl)</p> <p>Issuing stdl makes the T1 delay time 1.1 μs.</p>
17 97	<p>Clear Very Short T1 Delay (~vstdl) Set Very Short T1 Delay (vstdl)</p> <p>Issuing vstdl reduces the T1 delay time to 500 ns.</p>
18 98	<p>Clear Request Service bit 2 (~rsv2) Set Request Service bit 2 (rsv2)</p> <p>The rsv2 bit performs the same function as the rsv bit in the SPMR, but it provides a means of requesting service that is independent of the SPMR. With rsv2, you can make minor updates to the SPMR without affecting the state of service request. rsv2 is cleared when the serial poll status byte is sent to the Controller during a serial poll (SPAS & APRS & STRS).</p>

(continues)

AUXCR (continued)

Table 3-11. Auxiliary Command Description (Continued)

Data Pattern (Hex)	Description
99	<p>Switch To 7210 Mode (sw7210)</p> <p>Issuing sw7210 places the TNT4882 into 7210 compatibility mode.</p>
1A 9A	<p>Request rsv False (reqf) Request rsv True (reqt)</p> <p>The reqt and reqf commands are inputs to the IEEE 488.2 Service Request Synchronization Circuit. Use these commands to set and clear the local rsv message.</p> <p>If STBO IE = 0, reqt and reqf are not issued immediately; they are issued on the write of the SPMR that follows the issuing of the reqt or reqf auxiliary command.</p> <p>If STBO IE = 1, reqt and reqf are issued immediately. See the <i>IEEE 488.2 Service Requesting</i> section in Chapter 4, <i>TNT4882 Programming Considerations</i>.</p>
1C	<p>Chip Reset (ch_rst)</p> <p>The ch_rst auxiliary command resets the TNT4882 to the following conditions:</p> <ul style="list-style-type: none"> • The local swrst message is set and the interface functions are placed in their idle states. • The SPMR bits are cleared. • The EOS and NL bits are cleared. • The ACCRA, ACCRB, ACCRE, ACCRF, ACCRI, and ACCRJ registers are cleared. • The Parallel Poll Flag local message is cleared. • The ulpa bit is cleared.

(continues)

AUXCR (continued)

Table 3-11. Auxiliary Command Description (Continued)

Data Pattern (Hex)	Description
1D 9D	<p>Clear Parallel Poll Flag (~ist) Set Parallel Poll Flag (ist)</p> <p>The ~ist and ist commands set and clear the Parallel Poll Flag. The value of the Parallel Poll Flag is used as the local ist message when bit four of Accessory Register B (ISS) = 0. The value of SRQS is used as the local ist message when ISS = 1. A ch_rst auxiliary command or a hardware reset clears the local ist message.</p>
1E	<p>Page-In Interrupt Mask Register 2 (piimr2)</p> <p>Issuing piimr2 maps IMR2 to the ADSR offset. After this command is issued, you can access IMR2 at the ADSR offset until one of the following events occurs:</p> <ul style="list-style-type: none"> • A hardware reset occurs. • The ch_rst auxiliary command is issued. • Another register is paged into the ADSR offset. • The Clear Page-In auxiliary command is issued.
1F	<p>Page-In Bus Control Register (pibcr)</p> <p>Issuing pibcr maps the BCR to the ADSR offset. After this command is issued, you can access BCR at the ADSR offset until one of the following events occurs:</p> <ul style="list-style-type: none"> • A hardware reset occurs. • The ch_rst auxiliary command is issued. • Another register is paged into the ADSR offset. • The Clear Page-In auxiliary command is issued.

(continues)

AUXCR (continued)

Table 3-11. Auxiliary Command Description (Continued)

Data Pattern (Hex)	Description
9C	<p>Clear Page-In Registers (clrpi)</p> <p>Issuing clrpi removes the previously paged-in Accessory Register from the ADSR offset. After this command is issued, writes to offset 2 have no effect until a Page-In auxiliary command is issued.</p>
9E	<p>Page-In End-of-String Register (pieosr)</p> <p>Issuing pieosr maps the EOSR to the ADSR offset. After this command is issued, you can access EOSR at the ADSR offset until one of the following events occurs:</p> <ul style="list-style-type: none"> • A hardware reset occurs. • The ch_rst auxiliary command is issued. • Another register is paged into the ADSR offset. • The Clear Page-In auxiliary command is issued.
9F	<p>Page-In Accessory Register (piaccr)</p> <p>Issuing piaccr maps the Accessory Register to the ADSR offset. After this command is issued, you can access ACCR at the ADSR offset until one of the following events occurs:</p> <ul style="list-style-type: none"> • A hardware reset occurs. • The ch_rst auxiliary command is issued. • Another register is paged into the ADSR offset. • The Clear Page-In auxiliary command is issued.

Auxiliary Mode Register (AUXMR)

Type: One-chip mode
Turbo+7210 mode

Attributes: Write only
Permits access to hidden registers

7	6	5	4	3	2	1	0
AUX7	AUX6	AUX5	AUX4	AUX3	AUX2	AUX1	AUX0

Use the AUXMR to issue auxiliary commands and to write the following eight hidden registers:

- Parallel Poll Register (PPR)
- Auxiliary Register A (AUXRA)
- Auxiliary Register B (AUXRB)
- Auxiliary Register E (AUXRE)
- Auxiliary Register F (AUXRF)
- Auxiliary Register G (AUXRG)
- Auxiliary Register I (AUXRI)
- Auxiliary Register J (AUXRJ)

Note: *You should issue commands at intervals of at least 200 ns.*

For more information, see the *Hidden Registers: One-Chip Mode/Turbo+7210 Mode* section, which is located earlier in this chapter.

AUXMR (continued)

Table 3-12 summarizes the auxiliary commands and Table 3-13 describes the auxiliary commands.

Table 3-12. Auxiliary Command Summary

Hex Code*	Auxiliary Command
00	Immediate Execute Power-On (pon)
01	Clear Parallel Poll Flag (~ist)
02	Chip Reset (ch_rst)
03	Finish Handshake (rhdf)
04	Trigger (trig)
05	Clear Or Pulse Return To Local (rtl)
06	Send EOI (seoi)
07	Nonvalid Secondary Command Or Address (nonvalid)
09	Set Parallel Poll Flag (ist)
0B†	Untalk Command (lut)
0C†	Unlisten Command (lul)
0D	Set Return To Local
0E†	New Byte Available False (nbaF)
0F	Valid Secondary Command or Address (valid)
15†	Switch To Turbo+9914 Mode Command
18†	Request rsv True (reqt)
19†	Request rsv False (reqf)

(continues)

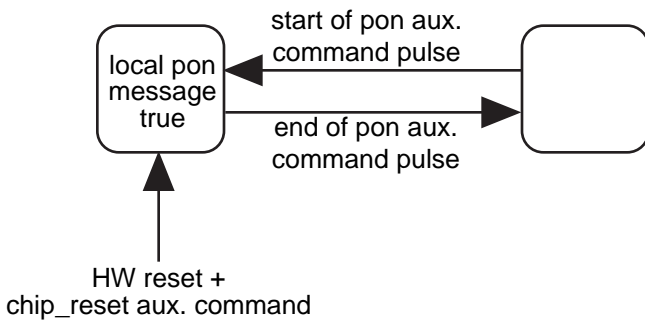
AUXMR (continued)

Table 3-12. Auxiliary Command Summary (Continued)

Hex Code*	Auxiliary Command
50†	Page-In Additional Registers
51†	Holdoff Handshake Immediately (hldi)
54†	Clear DET (ISR1[5]r) Command
55†	Clear END (ISR1[4]r) Command
56†	Clear DEC (ISR1[3]r) Command
57†	Clear ERR (ISR1[2]r) Command
59†	Clear LOKC (ISR2[2]r) Command
5A†	Clear REMC (ISR2[1]r) Command
5B†	Clear ADSC (ISR2[0]r) Command
5C†	Clear IFCI (ISR0[3]r) Command
5D†	Clear ATNI (ISR0[2]r) Command
5E†	Clear SYNC (ISR0[0]r) Command
5F†	Set SYNC (ISR0[0]r) Command
* †	Represents all eight bits of the AUXMR. Denotes an auxiliary command not available in the NEC μ PD7210.

AUXMR (continued)

Table 3-13. Auxiliary Command Description

Data Pattern (Hex)	Description
00	<p>Immediate Execute Power-On (pon)</p> <p>The Immediate Execute Power-On auxiliary command sets the local pon message true, then clears it. If the local pon message is already asserted, the pon auxiliary command simply clears the local pon message. The following figure illustrates the behavior of the local pon message:</p>  <p>When the local pon message is true, the TNT4882 holds all GPIB interface functions in their idle states.</p>
01 09	<p>Clear Parallel Poll Flag (~ist) Set Parallel Poll Flag (ist)</p> <p>These commands set and clear the Parallel Poll Flag. The value of the Parallel Poll Flag is used as the local ist message when AUXRB[4]w = 0. The value of SRQS is used as ist when ISS = 1. A chip reset auxiliary command or hardware reset clears ist.</p>

(continues)

AUXMR (continued)

Table 3-13. Auxiliary Command Description (Continued)

Data Pattern (Hex)	Description
02	<p>Chip Reset</p> <p>The chip reset auxiliary command resets the TNT4882 to the following conditions:</p> <ul style="list-style-type: none"> • The local pon message is set and the interface functions are placed in their idle states. • The SPMR bits are cleared. • The TRM[1–0] bits are cleared. • The EOI bit is cleared. • The AUXRA, AUXRB, AUXRE, AUXRF, AUXRG, AUXRI, and AUXRJ registers are cleared. • The Parallel Poll Flag is cleared. <ul style="list-style-type: none"> – The BCR is cleared. – The MISC register is cleared. – The HIER is cleared. – The PT1 bit is cleared. <p>The interface functions remain in their idle states until they are released by an Immediate Execute pon command. While the interface functions are in their idle states, the host interface can program the TNT4882 writable bits to their desired states.</p>
03	<p>Finish Handshake (rhdf)</p> <p>The Finish Handshake command finishes a GPIB handshake that was stopped because of a Holdoff On RFD condition.</p> <p>See <i>The GPIB rdy Message and RFD Holdoffs</i> section in Chapter 4, <i>TNT4882 Programming Considerations</i>.</p>

(continues)

AUXMR (continued)

Table 3-13. Auxiliary Command Description (Continued)

Data Pattern (Hex)	Description
04	<p>Trigger (trig)</p> <p>The Trigger command generates a high pulse on the TRIG pin. The Trigger command performs the same function as if the DET (Device Trigger) bit (ISR1[5]r) were set. The DET bit is not set by issuing the Trigger command.</p>
05 0D	<p>Return To Local (rtl) Return To Local (rtl)</p> <p>The two Return To Local commands implement the rtl message as defined by the IEEE 488 standard. If the host interface writes 05 hex, the rtl message is generated in the form of a pulse. If rtl is already set, this command clears it. If the host interface writes 0D hex, the rtl command is set and remains set until either the 05 hex rtl command is issued or a chip reset auxiliary command is issued.</p>
06	<p>Send EOI (seoi)</p> <p>One-Chip Mode The seoi command is ignored. In one-chip mode, you can use CCEN to make the TNT4882 automatically generate EOI. See the CCEN bit in the <i>Configuration Register (CFG)</i> section of this chapter.</p> <p>Turbo+7210 Mode The seoi command causes the GPIB End-or-Identify (EOI) line to go true with the next data byte transmitted. The EOI line is cleared upon completion of the Handshake for that byte. The TNT4882 recognizes the seoi command only if TACS = 1 (that is, the TNT4882 is in the Talker Active State) when NTNL = 0.</p>
07	<p>Nonvalid Secondary Command Or Address (nonvalid)</p> <p>The Nonvalid command releases a DAC holdoff. If APT = 1, the TNT4882 operates as if an Other Secondary Address (OSA) message had been received.</p>
0B*	<p>Untalk (lut)</p> <p>This command issues the local unt message, forcing the Talker function to enter TIDS.</p>

(continues)

AUXMR (continued)

Table 3-13. Auxiliary Command Description (Continued)

Data Pattern (Hex)	Description
0C*	<p>Unlisten (unl)</p> <p>This command issues the local unl message, forcing the Listener function to enter LIDS.</p>
0E*	<p>New Byte Available False (nbaF)</p> <p>One-Chip Mode The nbaF is ignored in one-chip mode. See description of the nba bit, ISR0[7]r.</p> <p>Turbo+7210 Mode The nbaF command causes the local message, nba, to become false. Consider the following situation. The TNT4882 is a Talker. A byte is written to the CDOR. The GPIB Controller asserts ATN before the TNT4882 transfers this byte. The Controller unasserts ATN and the TNT4882 is still a Talker.</p> <p>If NTNL is set, the Talker transmits the byte stored in the CDOR. The nbaF command suppresses the transmission of this byte.</p>
0F	<p>Valid Secondary Command Or Address (valid)</p> <p>The Valid command releases a DAC holdoff. If APT = 1, the TNT4882 operates as if a My Secondary Address (MSA) message had been received.</p>
15*	<p>Switch to 9914A Mode</p> <p>One-Chip Mode The TNT4882 should not be switched to the 9914A compatibility mode.</p> <p>Turbo+7210 Mode This command puts the interface chip in Turbo+9914 compatibility mode.</p>

(continues)

AUXMR (continued)

Table 3-13. Auxiliary Command Description (Continued)

Data Pattern (Hex)	Description
18* 19*	<p>Request rsv True (reqt) Request rsv False (reqf)</p> <p>The reqt and reqf commands are inputs to the IEEE 488.2 Service Request Synchronization Circuitry. These commands set and clear the local rsv message.</p> <p>If STBO = 1, the reqt and reqf commands are issued immediately. If STBO IE = 0, the reqt and reqf commands are not issued immediately: they are issued on the write of the SPMR that follows the issuing of the reqt or reqf auxiliary command.</p>
50*	<p>Page-In Additional Registers (page-in)</p> <p>The Page-In command is implemented only for compatibility. You should not use it in new designs, because you can directly access all registers.</p> <p>The Page-In command causes the TNT4882 to enter the Page-In state. The Page-In state changes the offset of several registers. See <i>The Page-In State (One-Chip Mode/Turbo+7210 Mode)</i> section, which is located earlier in this chapter.</p> <p>The TNT4882 exits the Paged-In state when either the host interface accesses any 7210 register or when the Turbo488 transfer function performs a carry cycle.</p>
51*	<p>Immediate Holdoff</p> <p>This command forces the Acceptor Handshake function to immediately perform an RFD holdoff when Listener. Issuing this command forces a transition into ANRS, where the handshake is held off until a finish handshake is issued.</p>
54*	<p>Clear DET</p> <p>This command clears the DET bit (ISR1[5]r). Use this command to clear the DET bit when SISB = 1.</p>

(continues)

AUXMR (continued)

Table 3-13. Auxiliary Command Description (Continued)

Data Pattern (Hex)	Description
55*	Clear END This command clears the END bit (ISR1[4]r). Use this command to clear the END bit when SISB = 1.
56*	Clear DEC This command clears the DEC bit (ISR1[3]r). Use this command to clear the DEC bit when SISB = 1.
57*	Clear ERR This command clears the ERR bit (ISR1[2]r). Use this command to clear the ERR bit when SISB = 1.
59*	Clear LOKC This command clears the LOKC bit (ISR2[2]r). Use this command to clear the LOKC bit when SISB = 1.
5A*	Clear REMC This command clears the REMC bit (ISR2[1]r). Use this command to clear the REMC bit when SISB = 1.
5B*	Clear ADSC This command clears the ADSC bit (ISR2[0]r). Use this command to clear the ADCS bit when SISB = 1.
5C*	Clear IFCI This command clears the IFCI bit (ISR0[3]r). Use this command to clear the IFCI bit when SISB = 1.
5D*	Clear ATNI This command clears the ATNI bit (ISR0[2]r). Use this command to clear the ATNI bit when SISB = 1.

(continues)

AUXMR (continued)

Table 3-13. Auxiliary Command Description (Continued)

Data Pattern (Hex)	Description
5E* 5F*	Clear SYNC Set SYNC These commands control the SYNC function by resetting or starting it.
* Denotes an auxiliary command not available in the μ PD7210.	

Auxiliary Register A (AUXRA)

Type: One-chip mode
Turbo+7210 mode

Attributes: Write only
Accessed at the same offset as AUXMR

7	6	5	4	3	2	1	0
1	0	0	BIN	XEOS	REOS	HLDE	HLDA

AUXRA controls the EOS and END messages and specifies the RFD holdoff mode. A chip reset auxiliary command or a hardware reset clears AUXRA. You write to AUXRA at the same offset as the AUXMR.

Bit	Mnemonic	Description
-----	----------	-------------

4w	BIN	Binary bit
----	-----	------------

BIN selects the length of the EOS message. If BIN = 1, the End-of-String Register (EOSR) is treated as an 8-bit byte. When BIN = 0, the EOSR is treated as a 7-bit register (for ASCII characters), and only a 7-bit comparison is done with the data on the GPIB.

3w	XEOS	Transmit END With EOS bit
----	------	---------------------------

One-Chip Mode

XEOS is used to transmit the GPIB END message. However, the preferred method of sending END in one-chip mode uses the CCEN bit, CFG[3]w.

Turbo+7210 Mode

XEOS permits or prohibits automatic, simultaneous transmission of the GPIB END message and the EOS message when the TNT4882 is in TACS. If XEOS = 1 and the byte in the CDOR matches the contents of the EOSR, the EOI line is sent true along with the data.

AUXRA (continued)

Bit	Mnemonic	Description
2w	REOS	END On EOS Received bit

The REOS bit permits or prohibits setting the END bit (ISR1[4]r) when the TNT4882 receives the EOS message as a Listener. If REOS = 1 and the byte in the DIR matches the byte in the EOSR, the END RX bit is set and the acceptor function treats the EOS character just as if it were received with EOI asserted.

1–0w	HLDE	Holdoff On End bit
	HLDA	Holdoff On All Data bit

HLDE and HLDA together determine the GPIB data-receiving mode. The following table shows the four possible data-receiving modes.

HLDE	HLDA	Data-Receiving Mode
0	0	Normal Handshake Mode
0	1	RFD Holdoff on All Data Mode
1	0	RFD Holdoff on END Mode
1	1	Continuous Mode

See *The GPIB rdy Message and RFD Holdoffs* section in Chapter 4, *TNT4882 Programming Considerations*.

Auxiliary Register B (AUXRB)

Type: One-chip mode
Turbo+7210 mode

Attributes: Write only
Accessed at the same offset as AUXMR

7	6	5	4	3	2	1	0
1	0	1	ISS	0	TRI	SPEOI	CPT ENABLE

AUXRB affects several interface functions. A chip reset auxiliary command or a hardware reset clears AUXRB. You write to AUXRB at the same offset as the AUXMR.

Bit	Mnemonic	Description
4w	ISS	Individual Status Select bit ISS determines the value of the TNT4882 ist message. When ISS = 1, ist takes on the value of the TNT4882 Service Request State (SRQS). (The TNT4882 is asserting the GPIB SRQ message when it is in SRQS.) If ISS = 0, ist takes on the value of the TNT4882 Parallel Poll Flag. You set and clear the Parallel Poll Flag by using the Set Parallel Poll Flag and Clear Parallel Poll Flag auxiliary commands.
2w	TRI	Three-State Timing bit TRI determines the TNT4882 GPIB Source Handshake Timing (T1). Clearing TRI sets the low-speed timing (T1 ≥ 2 μs). Setting TRI enables the TNT4882 to use a shorter T1 delay. See the <i>T1 Delay Generation</i> section in Chapter 4, <i>TNT4882 Programming Considerations</i> .
1w	SPEOI	Send Serial Poll EOI bit SPEOI determines whether the TNT4882 sends EOI when a Controller serial polls the TNT4882.

SPEOI	EOI During Serial Polls
0	Sent False
1	Sent True

AUXRB (continued)

Bit	Mnemonic	Description
0w	CPT ENABLE	Command Pass Through Enable bit The CPT ENABLE bit permits or prohibits detecting undefined GPIB commands and permits or prohibits setting the CPT bit (ISR1[7]r).

Auxiliary Register E (AUXRE)

Type: One-chip mode
 Turbo+7210 mode

Attributes: Write only
 Accessed at the same offset as AUXMR

7	6	5	4	3	2	1	0
1	1	0	0	DHADT	DHADC	DHDT	DHDC

AUXRE determines when the TNT4882 performs a DAC holdoff. A chip reset auxiliary command or a hardware reset clears AUXRE.

Each bit of AUXRE enables DAC holdoffs on a GPIB command or group of commands. When a GPIB Controller sends the specified command to the TNT4882, the CPT bit sets and the TNT4882 performs a DAC holdoff. See the *DAC Holdoffs* section in Chapter 4, *TNT4882 Programming Considerations*.

Bit	Mnemonic	Description
3w	DHADT	DAC Holdoff On GET Command bit
2w	DHADC	DAC Holdoff On DCL Or SDC Command bit
1w	DHDT	DAC Holdoff On DTAS Command bit
0w	DHDC	DAC Holdoff On DCAS Command bit

Auxiliary Register F (AUXRF)

Type: One-chip mode
 Turbo+7210 mode

Attributes: Write only
 Accessed at the same offset as AUXMR

7	6	5	4	3	2	1	0
1	1	0	1	DHATA	DHALA	DHUNTL	DHALL

AUXRF determines when the TNT4882 uses a DAC holdoff. A chip reset auxiliary command or a hardware reset clears AUXRF.

Each bit of AUXRF enables DAC holdoffs on a GPIB command or group of commands. When a GPIB Controller sends the specified command to the TNT4882, the CPT bit sets and the TNT4882 performs a DAC holdoff. See the *DAC Holdoffs* section in Chapter 4, *TNT4882 Programming Considerations*.

Bit	Mnemonic	Description
3w	DHATA	DAC Holdoff On All Talker Addresses Command bit
2w	DHALA	DAC Holdoff On All Listener Addresses Command bit
1w	DHUNTL	DAC Holdoff On The UNT Or UNL Command bit
0w	DHALL	DAC Holdoff On All UCG, ACG, And SCG Commands bit

Auxiliary Register G (AUXRG)

Type: One-chip mode
Turbo+7210 mode

Attributes: Write only
Accessed at the same offset as AUXMR

7	6	5	4	3	2	1	0
0	1	0	0	NTNL	0	0	CHES

A chip reset auxiliary command or a hardware reset clears AUXRG.

Bit	Mnemonic	Description
3w	NTNL	No Talking When No Listener bit

One-Chip Mode

NTNL is not used. Write 0 to this bit.

Turbo+7210 Mode

Set NTNL to prevent the TNT4882 from sourcing data (talking) when there is no external Listener, to modify the setting of the ERR bit, to modify the way the nba local message is cleared, and to change the EOI generation function. If the TNT4882 is used in an IEEE 488.2 device, you should set NTNL.

If NTNL = 0, the following actions occur:

- The TNT4882 handshake function enters STRS after the T1 delay has elapsed and NRFD is unasserted.
- The ERR bit is set on TACS & SDYS & DAC & RFD or SIDS & (write CDOR) or the transition from SDYS to SIDS.
- The local nba message is cleared upon entering SIDS or STRS.
- The Send EOI auxiliary command is ignored or forgotten upon exiting TACS.

AUXRG (continued)

Bit	Mnemonic	Description
		<p>If NTNL = 1, the following actions occur:</p> <ul style="list-style-type: none"> • The TNT4882 handshake function does not make the transition from SDYS to STRS unless an external Listener exists—that is, a device on the GPIB is asserting NDAC. • The ERR bit is set when the T1 delay has elapsed and TACS & SDYS & EXTDAC & RFD (where EXTDAC refers to some device on the GPIB asserting NDAC).
0w	CHES	<p>Clear Holdoff On End Select bit</p> <p>CHES determines how long the TNT4882 remembers that it detected an END condition.</p> <p>If CHES = 0, the TNT4882 remembers the detection of the END condition until the host interface issues the Release Handshake Holdoff auxiliary command.</p> <p>If CHES = 1, the TNT4882 remembers the detection of the END condition until the Release Handshake Holdoff auxiliary command is issued or the DIR is read when in the normal Handshake Holdoff mode—that is, HLDE and HLDA = 0.</p>

Auxiliary Register I (AUXRI)

Type: One-chip mode
Turbo+7210 mode

Attributes: Write only
Accessed at the same offset as AUXMR

7	6	5	4	3	2	1	0
1	1	1	0	USTD	PP2	0	SISB

A chip reset auxiliary command or a hardware reset clears AUXRI.

Bit	Mnemonic	Description
3w	USTD	<p>Ultra Short T1 Delay bit</p> <p>USTD sets the value of the T1 delay (used by the Source Handshake function for data setup) to 350 ns for the second and subsequent data bytes sent after ATN unasserts. If USTD = 0, the TRI bit (AUXRB[2]w) determines the value of T1. See the <i>T1 Delay Generation</i> section in Chapter 4, <i>TNT4882 Programming Considerations</i>.</p>
2w	PP2	<p>Parallel Poll bit 2</p> <p>If PP2 = 0, the TNT4882 responds to parallel polls in the same manner as the μPD7210—that is, it supports Parallel Poll functions PP1 and PP2 simultaneously. However, a contradiction arises because PP1 requires the interface to be configured by remote GPIB commands, and PP2 requires the interface to be configured locally and ignore remote GPIB commands.</p> <p>When PP2 = 1, the chip ignores remote GPIB commands—that is, PPC and PPU are treated as undefined commands, allowing a true implementation of PP2. In addition, setting PP2 and U (PPR[4]w) lets the TNT4882 support PP0 (no Parallel Poll response).</p>
1w	0	Write 0 to this bit.

AUXRI (continued)

Bit	Mnemonic	Description
0w	SISB	Static Interrupt Status Bits bit
		If SISB = 0, reading ISR0, ISR1, or ISR2 clears the bits of that register.
		If SISB = 1, the bits remain set until a certain condition is met. Table 3-14 lists the condition that clears each interrupt status bit when SISB = 1.

Table 3-14. Clear Conditions for SISB Bit

Bit	Clear Condition when SISB = 1
ADSC	pon + clearADSC + ton + lon
APT	pon + valid + nonvalid
ATNI	pon + clearATNI
CPT	pon + read CPTR
DEC	pon + clearDEC
DET	pon + clearDET
DI	pon + (finish handshake) * (Holdoff mode) + read DIR
DO	pon + ~TACS + ~SGNS + nba
END	pon + clearEND
ERR	pon + clearERR
IFCI	pon + clearIFCI
LOKC	pon + clearLOKC
REMC	pon + clearREMC

Note: *Interrupt Status bits STBO, SYNC, and TO are not affected by the SISB bit.*

Auxiliary Register J (AUXRJ)

Type: One-chip mode
Turbo+7210 mode

Attributes: Write only
Accessed at the same offset as AUXMR

7	6	5	4	3	2	1	0
1	1	1	1	TM3	TM2	TM1	TM0

AUXRJ sets the timeout value of the Timer interrupt. The timeout value can be set between 15 μ s to 125 s when the TNT4882 clock is 40 MHz. The Timer is started when TM[3–0] are written with a nonzero value; the Timer sets the TO bit in ISR0 when the timeout value expires. The Timer is cleared when a 0 is written to TM[3–0]. For more information on the Timer interrupt capability, see the *Interrupt Status Register 0 (ISR0)—One-Chip Mode, Turbo+7210 Mode* section in this chapter. AUXRJ is reset by a hardware or chip reset auxiliary command.

Note: *This timer is independent of the DRQ assertion timer described by the TIMER.*

Bit	Mnemonic	Description
3–0w	TM[3–0]	Timer bits 3 through 0

Table 3-15 lists the approximate timeout values that AUXRJ supports at 40 MHz. If the TNT4882 uses another clock frequency, the timeout value can be computed with the following formula:

$$\text{time} = (2^{\text{factor}} * 5) / \text{frequency}.$$

Table 3-15. Timeout Values in 7210 Mode

TM3–0	Timeout Value (> or =)	Factor
0000	Disable	-
0001	16 μ s	7
0010	32 μ s	8
0011	128 μ s	10
0100	256 μ s	11

(continues)

AUXRJ (continued)Table 3-15. Timeout Values in 7210 Mode
(Continued)

TM3-0	Timeout Value (> or =)	Factor
0101	1 ms	13
0110	4 ms	15
0111	16 ms	17
1000	33 ms	18
1001	131 ms	20
1010	262 ms	21
1011	1 s	23
1100	4 s	25
1101	17 s	27
1110	34 s	28
1111	134 s	30

Depending on the value of the BTO bit, IMR0[4]w, the Timer works with two different types of timeouts. If BTO = 0, the Timer starts when the host interface writes a nonzero value to the Timer Register. When the Timer reaches the timeout value, it sets the TO bit. If BTO = 1, the Timer operates in byte timeout mode. In this mode, the Timer starts when the host interface writes a nonzero value to the Timer Register and counts until it reaches the timeout value. However, reads of the DIR or writes of the CDOR clear the Timer and force it to start counting over. If TO is set in byte timeout mode, it remains set until the Timer Register is written. Further reads of DIR or writes of CDOR have no effect on TO until the Timer Register is written.

When BTO = 1 in one-chip mode, the Timer is cleared whenever a byte is transferred between the FIFOs and the GPIB.

Bus Control Register (BCR)/Bus Status Register (BSR)

Type: All modes

Attributes: Write only (BCR)
Read only (BSR)

Reads of the Bus Status Register (BSR) return the status of the GPIB control lines at the time of the read. Write ones to bits in the Bus Control Register (BCR) to assert the corresponding GPIB control lines.

7	6	5	4	3	2	1	0
ATN	DAV	NDAC	NRFD	EOI	SRQ	IFC	REN

Bit	Mnemonic	Description
7r	ATN	GPIB Attention Status bit
7w	ATN	GPIB Attention Control bit
6r	DAV	GPIB Data Valid Status bit
6w	DAV	GPIB Data Valid Control bit
5r	NDAC	GPIB Not Data Accepted Status bit
5w	NDAC	GPIB Not Data Accepted Control bit
4r	NRFD	GPIB Not Ready For Data Status bit
4w	NRFD	GPIB Not Ready For Data Control bit
3r	EOI	GPIB End-or-Identify Status bit
3w	EOI	GPIB End-or-Identify Control bit
2r	SRQ	GPIB Service Request Status bit
2w	SRQ	GPIB Service Request Control bit
1r	IFC	GPIB Interface Clear Status bit
1w	IFC	GPIB Interface Clear Control bit
0r	REN	GPIB Remote Enable Status bit
0w	REN	GPIB Remote Enable Control bit

Carry Cycle Register (CCR)

Type: Turbo+7210 mode
Turbo+9914 mode

Attributes: Write only

7	6	5	4	3	2	1	0
D7	D6	D5	D4	D3	D2	D1	D0

One-Chip Mode

The Carry Cycle Register (CCR) is ignored in one-chip mode. See the description of the CCEN bit, CFG[3]w, in the *Configuration Register (CFG)* section in this chapter.

Turbo+7210 Mode Turbo+9914 Mode

If CCEN = 1, the TNT4882 performs a carry cycle before the last byte of a GPIB transfer operation is transferred between the FIFOs and the CDOR or DIR. During a carry cycle, the TNT4882 writes the contents of the CCR to the register at offset 0A (hex) of the TNT4882.

The CCR holds the 8-bit auxiliary command that is written during carry cycles. Any auxiliary command is valid. For GPIB writes, you generally write the seoi auxiliary command pattern to the CCR. For GPIB reads, you generally write the Holdoff On All auxiliary command pattern to the CCR. If the last byte of the current transfer requires no special action, the CCEN bit in the Configuration Register must be cleared so a carry cycle will not take place. The CCR is not affected by a reset.

In Turbo+7210 mode, the AUXMR is at offset 0A. Notice that auxiliary registers also appear at offset A.

In Turbo+9914 mode, carry cycles are usually performed when the SWAP condition is true. If SWAP is true, the ACCR appears at offset 0A.

Command/Data Out Register (CDOR)

Type: Turbo+7210 mode
Turbo+9914 mode

Attributes: Write only

7	6	5	4	3	2	1	0
DIO8	DIO7	DIO6	DIO5	DIO4	DIO3	DIO2	DIO1

Bit	Mnemonic	Description
7–0w	DIO[8–1]	GPIB data lines DIO[8–1]

One-Chip Mode

Do not use the CDOR in one-chip mode.

Turbo+7210 Mode
Turbo+9914 Mode

The CDOR moves data from the CPU to the GPIB when the interface is the GPIB Talker. Writing to the CDOR sets the local message, nba. When nba is true, the Source Handshake (SH) function can transfer the data in the CDOR to other GPIB devices. Writing to the CDOR can also reset the internal timer. (See the *Auxiliary Register J* section in this chapter.)

The CDOR and the DIR use separate latches. A read of the DIR does not change data in the CDOR. The CDOR is a transparent latch; thus, the GPIB data bus (DIO(8–1)) reflects changes on the CPU data bus during write cycles to the CDOR.

Configuration Register (CFG)

Type: All modes

Attributes: Write only

7	6	5	4	3	2	1	0
0	TLCHLTE	IN	A/BN	CCEN	TMOE	TIM/BYTN	16/8N

The Configuration Register (CFG) contains bits that are used to configure the TNT4882 for a GPIB transfer. All the bits in the CFG are cleared on reset.

Bit	Mnemonic	Description
7w	0	Write 0 to this bit.
6w	TLCHLTE	TLC Halt Enable bit If TLCHLTE = 1, IMR2, IMR1, and IMR0 interrupts cause the HALT signal to assert. HALT causes the GPIB transfer to stop. If the NOAS bit, MISC[1], or the NOTS bit, MISC[0], is set, certain TNT4882 interrupts do not cause a HALT even if TLCHLTE is asserted.
5w	IN	Data Direction Transfer bit IN determines the direction of the GPIB transfer operation. IN = 1 indicates a GPIB read operation. The TNT4882 reads data from the GPIB and stores it in its FIFOs. IN = 0 indicates a GPIB write operation. The TNT4882 transfers data from the FIFOs to the GPIB.
4w	A/BN	FIFO First bit This bit indicates which FIFO—A or B—the first GPIB data byte should be transferred to or from. If A/BN = 1, FIFO A is first.

CFG (continued)

Bit	Mnemonic	Description
3w	CCEN	<p>Carry Cycle Enable bit</p> <p>If CCEN = 1, the TNT4882 inserts a carry cycle before the last byte of a GPIB transfer operation is transferred between the FIFOs and the TNT4882.</p> <p>One-Chip Mode</p> <p>In this mode, the CCR is ignored. On the last byte of a GPIB write, EOI is asserted if CCEN = 1.</p> <p>Turbo+7210 Mode Turbo+9914 Mode</p> <p>During a carry cycle, the TNT4882 writes the contents of the CCR to the register at offset 0A (hex) of the TNT4882. In Turbo+7210 mode, the AUXMR appears at offset A. In Turbo+9914 mode, the ACCR appears at offset A if the SWAP bit is set. CCEN forces a GPIB read operation to holdoff the handshake on the last byte or forces a GPIB write operation to send EOI with the last byte.</p>
2w	TMOE	<p>Timer Timeout Enable bit</p> <p>TMOE limits the duration of DMA burst transfers. If TMOE = 1, the TNT4882 unasserts the DMA Request (DRQ) signal after the amount of time or the number of transfers specified by the TIM/BYTN bit and the Timer Register (TIMER) passes. This bit helps limit the amount of time that the DMA Controller serving the TNT4882 holds the bus while transferring data between the TNT4882 and memory.</p>
1w	TIM/BYTN	<p>Time Or Byte Limit bit</p> <p>If TIM/BYTN = 1, the DRQ assertion timer begins counting when the host interface performs a DMA access of the TNT4882 FIFOs. If DRQ unasserts, the DRQ assertion timer resets and reloads the timeout value from the TIMER. If the DRQ assertion timer reaches its time limit, the TNT4882 unasserts DRQ during the next DMA access of the TNT4882 FIFOs.</p>

CFG (continued)

Bit	Mnemonic	Description
0w	16/8N	<p data-bbox="525 288 1112 371">If $TIM/BYTN = 0$, the TIMER contains the number of transfers for which the DMA Request signal remains asserted. $TIM/BYTN$ is not used if $TMOE = 0$.</p> <p data-bbox="525 435 758 458">16- or 8-Bit Mode bit</p> <p data-bbox="525 496 1080 579">16/8N determines whether the TNT4882 packs and unpacks data from both FIFO A and B or from only FIFO B.</p> <p data-bbox="525 612 1134 696">If $16/8N = 1$, the TNT4882 packs and unpacks data from both FIFO A and B. The host interface should transfer data to and from the FIFOs as 16-bit words.</p> <p data-bbox="525 729 1085 786">If $16/8N = 0$, the TNT4882 uses only FIFO B. Data should transfer to and from FIFO B as 8-bit bytes.</p>

Command Register (CMDR)

Type: All modes

Attributes: Write only

7	6	5	4	3	2	1	0
CMD7	CMD6	CMD5	CMD4	CMD3	CMD2	CMD1	CMD0

By writing command codes to the Command Register (CMDR), you cause special actions to occur. A command code is assigned to each special action. Patterns that are not specified in Table 3-16 are reserved; do not write them to the CMDR.

Note: *Accesses to the CMDR must be separated by at least four clock cycles.*

Table 3-16. Command Summary: Detailed Description

Hex Code	Description
04	<p>GO</p> <p>One-Chip Mode The GO command clears the HALT signal. The transfer state machine is not used in one-chip mode.</p> <p>Turbo+7210 Mode Turbo+9914 Mode The GO command starts the Turbo+7210 and Turbo+9914 transfer state machine, which is a functional module within the TNT4882. This command is sent after all the programming registers in the TNT4882 are programmed for a GPIB transfer. Sending this command clears the DONE and STOP bit in ISR3 so that command or data transfers between the FIFOs and the CDOR or DIR begin.</p>

(continues)

CMDR (continued)

Table 3-16. Command Summary: Detailed Description (Continued)

Hex Code	Description
08	<p>STOP</p> <p>One-Chip Mode The Turbo488 transfer state machine is not used in one-chip mode. The STOP command sets the HALT signal. The GO command clears the HALT signal. When HALT = 1, the nba and rdy messages become false. Thus, the TNT4882 does not accept or send any GPIB data bytes.</p> <p>Turbo+7210 Mode Turbo+9914 Mode The STOP command stops the TNT4882 transfer state machine. Send this command to stop a GPIB transfer in progress. If a byte is being transferred between the CDOR or DIR and the FIFOs when the STOP command is sent, the byte finishes transferring before the transfer state machine is stopped. After the STOP command is sent, DONE is set when the GPIB is synchronized—that is, the last byte is accepted by all GPIB Listeners and (for GPIB reads only) the FIFOs are empty.</p>
10	<p>RESET FIFO</p> <p>The RESET FIFO command resets both FIFOs to the empty state.</p>
22	<p>SOFT RESET</p> <p>Sending the SOFT RESET command</p> <ul style="list-style-type: none"> • Clears the CFG, HSSEL, and IMR3 registers. • Sets the DONE, HALT, STOP, and GSYNC bits. • Resets the internal FIFOs to empty. • Resets the GPIB transfer state machine. • Clears the DRQ signal. • Configures the byte counters for 16-bit operation.

Count 0 Register (CNT0)

Type: All modes

Attributes: Read/Write

7	6	5	4	3	2	1	0
CNT7	CNT6	CNT5	CNT4	CNT3	CNT2	CNT1	CNT0

Count 1 Register (CNT1)

Type: All modes

Attributes: Read/Write

7	6	5	4	3	2	1	0
CNT15	CNT14	CNT13	CNT12	CNT11	CNT10	CNT9	CNT8

Count 2 Register (CNT2)

Type: All modes

Attributes: Read/Write

7	6	5	4	3	2	1	0
CNT23	CNT22	CNT21	CNT20	CNT19	CNT18	CNT17	CNT16

Count 3 Register (CNT3)

Type: All modes

Attributes: Read/Write

7	6	5	4	3	2	1	0
CNT31	CNT30	CNT29	CNT28	CNT27	CNT26	CNT25	CNT24

Count Registers

These four count registers—CNT0, CNT1, CNT2, and CNT3—store the transfer count of the GPIB transfer operation. The transfer counter operates in one of two modes: 16-bit mode and 32-bit mode. The HWE signal determines which mode is used. When HWE is true, the byte counters operate in 32-bit mode. When HWE is false, the byte counters operate in 16-bit mode. A hardware reset or the SOFT_RESET command clears HWE. A write to the CNT3 or CNT2 sets HWE.

A hardware reset sets the CNT0, CNT1, CNT2, and CNT3 to 0xFF. The SOFT_RESET command sets the CNT3 and CNT2 to 0xFF. Before a transfer begins, the transfer count registers must be loaded with the two's complement of the transfer count.

32-Bit Mode

Write the least significant byte of the two's complement of the GPIB transfer count to the CNT0, then write the next most significant bytes of the two's complement of the GPIB transfer count to the CNT1 and CNT2. Finally, write the most significant byte of the two's complement of the GPIB transfer count to the CNT3. Until it reaches the terminal value of zero, the 32-bit counter is incremented once for every byte transferred. You can read the counters at any time to learn the two's complement of the current GPIB transfer count.

Note: *To guarantee proper operation, always write to the CNT0 first, then write to the CNT1. Next, write to the CNT2, then the CNT3. The operation may not complete properly if you write to the counters in any other order.*

16-Bit Mode

Write the low byte of the two's complement of the GPIB transfer count to the CNT0, then write the high byte of the two's complement of the GPIB transfer count to the CNT1. Until it reaches the terminal value of zero, the 16-bit counter is incremented once for every byte that is transferred. You can read the counters at any time to learn the two's complement of the current GPIB transfer count.

Command Pass Through Register (CPTR)

Type: All modes

Attributes: Read only

7	6	5	4	3	2	1	0
CPT7	CPT6	CPT5	CPT4	CPT3	CPT2	CPT1	CPT0

The host interface can examine the GPIB DIO lines by reading the Command Pass Through Register (CPTR). The CPTR has no storage; the host interface should read the CPTR only during a DAC holdoff. See the *DAC Holdoffs* section in Chapter 4, *TNT4882 Programming Considerations*.

Bit	Mnemonic	Description
7–0r	CPT[7–0]	Command Pass Through bits 7 through 0

Chip Signature Register (CSR)

Type: One-chip mode
 Turbo+7210 mode

Attributes: Read only

7	6	5	4	3	2	1	0
V3	V2	V1	V0	KEYDQ	MODE	0	0

The Chip Signature Register (CSR) contains a value unique to each version of the TNT4882. This value can distinguish the CSR from other IEEE 488 chips.

Bit	Mnemonic	Description
7–4r	V[3–0]	Reads back 0011, a value unique to the TNT4882. Future versions of the TNT4882 may read back 01XX.
3r	KEYDQ	Key Data bit KEYDQ returns the logic value of the KEYDQ pin. If you are using an electronic key, the KEYDATEN bit in the KEY register must be clear to read data from the key. Key data bits are read from the key memory on the rising edge of KEYCLK.
2r	MODE	MODE bit MODE returns the logic value of the MODE pin. The MODE pin determines which mode the TNT4882 is in following a hardware reset. If MODE = 0, the TNT4882 functions in Turbo+9914 mode following a hardware reset. If MODE = 1, the TNT4882 functions in Turbo+7210 mode following a hardware reset.
1–0r	0	These bits read 0.

DIO Control Register (DCR)

Type: One-chip mode
 Turbo+7210 mode

Attributes: Write only

	7	6	5	4	3	2	1	0
DIO8	DIO7	DIO6	DIO5	DIO4	DIO3	DIO2	DIO1	

Write ones to the bits in the DIO Control Register (DCR) to assert the corresponding GPIB DIO line.

Bit	Mnemonic	Description
7–0w	DIO[8–1]	DCR bits assert the corresponding GPIB DIO line.

Data In Register (DIR)

Type: Turbo+7210 mode
Turbo+9914 mode

Attributes: Read only

7	6	5	4	3	2	1	0
DIO8	DIO7	DIO6	DIO5	DIO4	DIO3	DIO2	DIO1

Bit	Mnemonic	Description
7–0r	DIO[8–1]	GPIB data lines DIO[8–1]

One-Chip Mode

The DIR is not used.

Turbo+7210 Mode Turbo+9914 Mode

The DIR holds data that the TNT4882 receives when the TNT4882 is a Listener. The TNT4882 latches GPIB data into the DIR when LACS & ACDS is true.

Latching data into the DIR causes the DI bit to set. Usually, latching data into the DIR causes an RFD holdoff. (See *The GPIB rdy Message and RFD Holdoffs* section in Chapter 4, *TNT4882 Programming Considerations*.)

The Turbo488 transfer state machine reads the DIR during GPIB read operations and places the result in the Turbo488 FIFOs. The host interface can also read the DIR. Reading the DIR also

- Clears the BI bit (Turbo+9914 mode only).
- Clears the DI bit (Turbo+7210 mode only).
- Resets the internal timer (see the *Auxiliary Register J* section, which is located earlier in this chapter).
- Can clear an RFD holdoff (depending on several other conditions)

The DIR and the CDOR use separate latches. When the host interface writes to the CDOR, data in the DIR is not changed.

DIO Status Register (DSR)

Type: One-chip mode
 Turbo+7210 mode

Attributes: Read only

	7	6	5	4	3	2	1	0
DIO8	DIO7	DIO6	DIO5	DIO4	DIO3	DIO2	DIO1	

The DIO Status Register (DSR) shows the status of the GPIB DIO lines. If a GPIB line is asserted, the corresponding DSR bit is read as 1.

Bit	Mnemonic	Description
7-0r	DIO[8-1]	DIO Status Register bit Reads the status of the GPIB status lines.

End-of-String Register (EOSR)

Type: All modes

Attributes: Write only

7	6	5	4	3	2	1	0
EOS7	EOS6	EOS5	EOS4	EOS3	EOS2	EOS1	EOS0

The End-of-String Register (EOSR) holds the byte that the TNT4882 uses to detect the end of a GPIB data block transfer. The TNT4882 compares data it receives to a 7- or 8-bit byte (ASCII or binary—depending on the BIN bit) in the EOSR to detect the end of a block of data.

If the TNT4882 is a Listener and REOS = 1, the END bit is set in ISR1 whenever the received data byte matches the EOSR. If the TNT4882 is a Talker and XEOS = 1, the END message (GPIB EOI* line asserted low) is sent along with a data byte whenever the data byte matches the EOSR. EOSR can also affect the PMT message, as described in the PMT_W_EOSR bit, HIER[0]w. See the *High-Speed Enable Register (HIER)* section, which is located later in this chapter.

Bit	Mnemonic	Description
7–0w	EOS[7–0]	End-of-String bits 7 through 0

First-In First-Out Buffer (FIFO(A/B))

FIFO A

Type: All modes

Attributes: Read/Write

15	14	13	12	11	10	9	8
FA15	FA14	FA13	FA12	FA11	FA10	FA9	FA8

FIFO B

Type: All modes

Attributes: Read/Write

7	6	5	4	3	2	1	0
FB7	FB6	FB5	FB4	FB3	FB2	FB1	FB0

The FIFO buffers data between the CPU and the GPIB during GPIB transfers. The FIFO is 16 bits wide and 16 words deep, and it can be thought of as two 8-bit by 16-word FIFOs concatenated to form a 16-bit by 16-word FIFO (see Figure 3-1). The TNT4882 does not use FIFO A when $16/8N = 0$; the TNT4882 always uses FIFO B when $16/8N = 0$.

For programmed I/O accesses (accesses by the CPU), the FIFO is accessed as a 16-bit word (FIFOs A and B) at location 18 hex or as a byte at either location 18 hex (FIFO B) or 19 hex (FIFO A). During DMA accesses, the FIFO must be accessed by asserting the DMA Acknowledge line (DACK*). A read from either offset returns the next available byte or word from the FIFO. A write to either offset loads data into the FIFO. The FIFO supports both byte and word accesses. If the FIFO is written when it is full, the new data is not loaded into the FIFO.

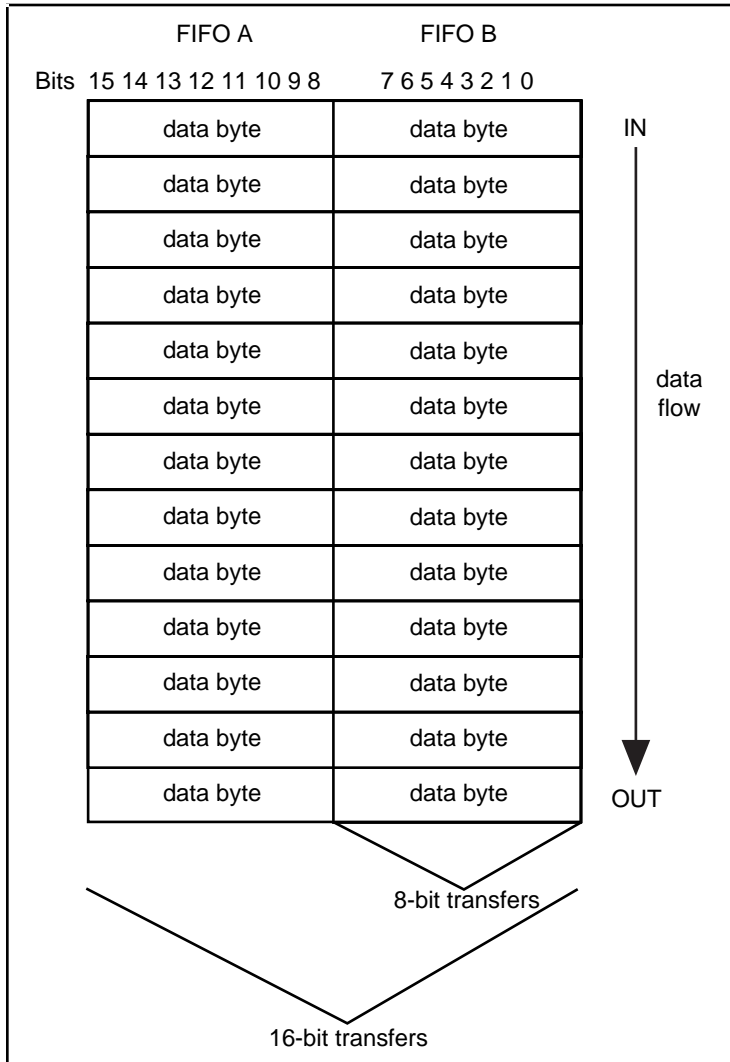


Figure 3-1. FIFO Register Data Flow

High-Speed Enable Register (HIER)

Type: One-chip mode
Turbo+7210 mode

Attributes: Write only

7	6	5	4	3	2	1	0
DGA	DGB	0	NO_TSETUP	0	0	0	PMT_W_EOS

Bit	Mnemonic	Description
7–6w	DG[A–B]	Deglitch Selectors [A–B]

One-Chip Mode

The TNT4882 deglitches the DAV* signal used in the Acceptor Handshake function. In one-chip mode, there are three different deglitching circuits; DGA and DGB select one of these circuits. In the following table, *MIN* refers to the shortest duration of the DAV pulse that is guaranteed to be detected. *MAX* refers to the longest glitch that is guaranteed not to be detected.

DGA	DGB	MIN Pulse Detected (ns)	MAX Pulse Undetected (ns)
0	0	25	12
1	0	37	25
1	1	75	50

Turbo+7210 Mode

DGA and DGB are not used in Turbo+7210 mode.

5, 3–1w 0 Write 0 to these bits.

4w NO_TSETUP No TSETUP Delay

One-Chip Mode

Setting NO_TSETUP causes the TSETUP signal to assert. NO_TSETUP forces the SH function to make a transition from SDYS1 to SDYS2 after a 25-ns delay.

HIER (continued)

Bit	Mnemonic	Description
		<p>Turbo+7210 Mode</p> <p>NO_TSETUP is not used in Turbo+7210 mode.</p>
0w	PMT_W_EOS	<p>PMT signal is asserted with EOS</p> <p>One-Chip Mode</p> <p>If PMT_W_EOS = 0, PMT asserts only when the EOI generation function asserts EOI.</p> <p>If PMT_W_EOS = 1, PMT asserts whenever the EOS signal is true. The EOS signal becomes true when the GPIB DIO lines match the 7- or 8-bit pattern in the EOSR. See the <i>End-of-String Register (EOSR)</i> section, which is located earlier in this chapter.</p> <p>PMT is used by the SH function. PMT affects the minimum time the SH function must remain in the STRS state.</p> <p>Turbo+7210 Mode</p> <p>PMT_W_EOS is not used in Turbo+7210 mode.</p>

Handshake Select Register (HSSEL)

Type: All modes

Attributes: Write only

7	6	5	4	3	2	1	0
0	0	GO2SIDS	NODMA	0	0	0	ONEC

The Handshake Select Register (HSSEL) resets to 0. Writing the SOFT RESET command to the CMDR clears all bits in HSSEL.

Bit	Mnemonic	Description
7–6 w, 3–1w	0	Write 0 to these bits.

5w	GO2SIDS	Go To SIDS bit
----	---------	----------------

One-Chip Mode

In one-chip mode, the SH function enters SIDS when GO2SIDS = 1. The SH function remains in SIDS until GO2SIDS = 0.

Turbo+7210 Mode Turbo+9914 Mode

GO2SIDS is ignored.

4w	NODMA	When NODMA = 1, the TNT4882 ignores the DRQ and DACKN signals from the host interface. When NODMA = 0, DRQ and DACKN are enabled.
----	-------	---

0w	ONEC	One-Chip bit Setting ONEC places the TNT4882 into one-chip mode. See the <i>Changing the TNT4882 Architecture Modes</i> section in Chapter 2, <i>TNT4882 Architectures</i> .
----	------	---

Interrupt Mask Register 0 (IMR0)—One-Chip Mode, Turbo+7210 Mode

Type: One-chip mode
Turbo+7210 mode

Attributes: Write only

7	6	5	4	3	2	1	0
1	STBO IE	NLEN	BTO	IFCI IE	ATNI IE	TO IE	SYNC IE

Interrupt Status Register 0 (ISR0)—One-Chip Mode, Turbo+7210 Mode

Type: One-chip mode
Turbo+7210 mode

Attributes: Read only

7	6	5	4	3	2	1	0
nba	STBO	NL	EOS	IFCI	ATNI	TO	SYNC

Interrupt Status Register 0 (ISR0) contains Interrupt Status bits and Internal Status bits. Interrupt Mask Register 0 (IMR0) contains Interrupt Enable bits and Internal Control bits. If an Interrupt Enable is true when the corresponding status condition or event occurs, the TNT4882 **can** generate a hardware interrupt request. See the *Hardware Interrupts* section in Chapter 4, *TNT4882 Programming Considerations* and Appendix A, *Common Questions*.

Bits in ISR0 are set and cleared regardless of the status of the bits in IMR0. If an interrupt condition occurs at the same time the host interface is reading ISR0, the TNT4882 does not set the corresponding Interrupt Status bit until the read is finished. A hardware reset clears all bits in IMR0 except bit 7, which is set.

Bit	Mnemonic	Description
7r	nba	New Byte Available local message bit This bit reflects the status of the local message New Byte Available.
One-Chip Mode		
nba = ~(FIFO empty) & ~IN		

IMR0/ISR0—One-Chip Mode, Turbo+7210 Mode (continued)

Bit	Mnemonic	Description
		<p>Turbo+7210 Mode</p> <p>nba is set on writes to the CDOR. nba is cleared by pon + nba + (NTNL & SIDS) + STRS</p>
7w	1	Write 1 to this bit.
6r	STBO	Status Byte Out bit
6w	STBO IE	Status Byte Out Interrupt Enable bit
		<p>STBO IE determines how the TNT4882 requests service and responds to serial polls.</p> <p>If STBO IE = 0, the rsv bit in SPMR can be used to request service. When the GPIB Controller serial polls the TNT4882, the TNT4882 transmits the current value of SPMR.</p> <p>If STBO IE = 1, the rsv bit in the SPMR has no effect on the Service Request (SR1) function and rsv must be generated through the reqt auxiliary command. STBO sets when the GPIB Controller serial polls the TNT4882. In response to STBO, the host interface writes a byte to SPMR, then the TNT4882 transmits this byte as the Serial Poll response.</p> <p>STBO is set by STBO IE & SPAS</p> <p>STBO is cleared by pon + (write SPMR) + ~SPAS</p>
5r	NL	New Line Receive bit
		<p>NL is set when the TNT4882 accepts the ASCII new line character from the GPIB data bus.</p> <p>NL is set by LACS & NL & ACDS</p> <p>NL is cleared by pon + (LACS & ~NL & ACDS)</p>

IMR0/ISR0—One-Chip Mode, Turbo+7210 Mode (continued)

Bit	Mnemonic	Description
5w	NLEN	<p>New Line End Enable bit</p> <p>If NLEN = 1, the TNT4882 treats the 7-bit ASCII new line character (0A hex) as an EOS character. The Acceptor Handshake function responds to the acceptance of a new line character in the same manner as if EOI were sent.</p>
4r	EOS	<p>End-of-String bit</p> <p>The EOS bit indicates that the END bit in ISR1 was set by the acceptance of the End-of-String character.</p> <p>EOS is set by $LACS \& EOS \& REOS \& ACDS$</p> <p>EOS is cleared by $pon + (LACS \& \sim EOS \& ACDS) + \sim REOS$</p>
4w	BTO	<p>Byte Timeout bit</p> <p>Set BTO to enable byte timeouts. For more information on the function of byte timeouts, see the <i>Auxiliary Register J (AUXRJ)</i> section in this chapter.</p>
3r 3w	IFCI IFCI IE	<p>IFC Interrupt bit IFC Interrupt Enable bit</p> <p>IFCI is set on the assertion of the GPIB IFC* line.</p> <p>IFCI is cleared by $pon + (read\ ISR0) \& \sim SISB + clearIFCI$</p>

IMR0/ISR0—One-Chip Mode, Turbo+7210 Mode (continued)

Bit	Mnemonic	Description
2r	ATNI	ATN Interrupt bit
2w	ATNI IE	ATN Interrupt Enable bit
		ATNI is set on the assertion of the ATN* line.
		ATNI is cleared by pon + (read ISR0) & ~SISB + clearATNI
1r	TO	Timeout bit
1w	TO IE	Timeout Interrupt Enable bit
		TO reflects the status of the Timer. Once started, the Timer sets the timeout status bit after the amount of time specified in the Timer Register has elapsed. (See the <i>Auxiliary Register J</i> section in this chapter.) An interrupt is generated when TO IE and TO are set. TO is cleared when the Timer Register is written.
0r	SYNC	GPIB Synchronization bit
0w	SYNC IE	GPIB Synchronization Interrupt Enable bit
		This bit reflects the status of GPIB handshake lines after a transfer. It is set at the completion of a transfer when the GPIB handshake is complete. An interrupt is generated when SYNC IE and SYNC are set.

Interrupt Mask Register 0 (IMR0)—Turbo+9914 Mode

Mode: Turbo+9914 mode

Attributes: Write only

7	6	5	4	3	2	1	0
DMAO	DMAI	BI IE	BO IE	END IE	SPAS IE	RLC IE	MAC IE

Interrupt Status Register 0 (ISR0)—Turbo+9914 Mode

Mode: Turbo+9914 mode

Attributes: Read only
Bits are cleared when read

7	6	5	4	3	2	1	0
INT0	INT1	BI	BO	END	SPAS	RLC	MAC

Interrupt Status Register 0 (ISR0) contains Interrupt Status bits. Interrupt Mask Register 0 (IMR0) contains Interrupt Enable bits that directly correspond to the Interrupt Status bits in ISR0. As a result, ISR0 and IMR0 service six possible interrupt conditions; each condition has an associated Interrupt Status bit and an Interrupt Enable bit. If an Interrupt Enable bit is true when the corresponding status condition or event occurs, the TNT4882 **can** generate a hardware interrupt request. See the *Hardware Interrupts* section in Chapter 4, *TNT4882 Programming Considerations* and Appendix A, *Common Questions*.

Bits in ISR0 are set and cleared regardless of the status of the Interrupt bits in IMR0. If an interrupt condition occurs at the same time the host interface is reading ISR0, the TNT4882 does not set the corresponding Interrupt Status bit until the read is finished. A hardware reset clears all bits in IMR0.

Bit	Mnemonic	Description
7r	INT0	Interrupt Register 0 Interrupt bit INT0 is set when an unmasked status bit in ISR0 is set.
7w	DMAO	DMA Output Enable bit If DMAE = 0, write 0 to DMAO. If DMAE = 1, setting DMAO causes the 9914 circuitry to request a GPIB data byte from the FIFOs whenever the CDOR requires a new

IMR0/ISR0—Turbo+9914 Mode (continued)

Bit	Mnemonic	Description
		data byte. Set DMAO and DMAE when you use the FIFOs to transfer data as a Talker.
6r	INT1	Interrupt Register 1 Interrupt bit INT1 is set when an unmasked status bit in Interrupt Status Register 1 is set.
6w	DMAI	DMA Input Enable bit If DMAE = 0, write 0 to DMAI. If DMAE = 1, setting DMAI causes the 9914 to request that a GPIB data byte be transferred from the DIR to the FIFOs whenever the DIR contains a new data byte. Set DMAE and DMAI when you use the FIFOs to transfer data as a Listener.
5r	BI	Byte In bit
5w	BI IE	Byte In Interrupt Enable bit BI indicates that a data byte has been received in the DIR. An RFD holdoff must be cleared before the TNT4882 accepts the next data byte. BI is set by LACS & ACDS BI is cleared by swrst + (read ISR0) + (read DIR)
4r	BO	Byte Out bit
4w	BO IE	Byte Out Interrupt Enable bit BO indicates that the TNT4882 is the Active Talker and that the CDOR does not contain a byte to send over the GPIB. BO sets again after each byte has been sent and the source handshake has returned to SGNS. BO is set by TACS & SGNS & ~nba BO is cleared by swrst + (read ISR0) + (write CDOR)

IMR0/ISR0—Turbo+9914 Mode (continued)

Bit	Mnemonic	Description
3r	END	End Received bit
3w	END IE	End Received Interrupt Enable bit
		<p>END sets when the TNT4882 is a Listener and receives a data byte satisfying the END condition. A data byte satisfies the END condition if one of the following conditions is true:</p> <ul style="list-style-type: none"> • REOS = 1 and the data byte matches the contents of the EOSR. • NLEN = 1 and the data byte matches the ASCII new line character (hex 0A). • The GPIB EOI signal is asserted when the byte is received. <p>END is set by (EOI + EOS & REOS + NL & NLEN) & LACS & ACDS</p> <p>END is cleared by swrst + (read ISR0)</p>
2r	SPAS	Serial Poll Active State bit
2w	SPAS IE	Serial Poll Active State Interrupt Enable bit
		<p>SPAS indicates that the Controller has serial polled the TNT4882 in response to the TNT4882 requesting service.</p> <p>SPAS is set by [STRS & SPAS & APRS] becoming false</p> <p>SPAS is cleared by swrst + (read ISR0)</p>
1r	RLC	Remote/Local Change bit
1w	RLC IE	Remote/Local Change Interrupt Enable bit
		<p>RLC is set when a change occurs in the REM bit, ADSR[7]r.</p> <p>RLC is cleared by swrst + (read ISR0)</p>

IMR0/ISR0—Turbo+9914 Mode (continued)

Bit	Mnemonic	Description
0r	MAC	My Address Change bit
0w	MAC IE	My Address Change Interrupt Enable bit

MAC indicates that the TNT4882 has received a command from the Controller and that this command has changed the addressed state of the TNT4882.

If the TNT4882 is using secondary addressing, MAC sets only when the TNT4882 becomes unaddressed. If $edpa = 1$, MAC does not set when the Controller readdresses the TNT4882 at the TNT4882's other primary address.

MAC is set by
 $ACDS \& (MTA \& \sim TADS \& \sim APT \text{ IE}$
 $+ OTA \& TADS$
 $+ MLA \& \sim LADS \& \sim APT \text{ IE}$
 $+ UNL \& LADS)$

MAC is cleared by
 $swrst + (\text{read } ISR0)$

Interrupt Mask Register 1 (IMR1)—One-Chip Mode, Turbo+7210 Mode

Type: One-chip mode
Turbo+7210 mode

Attributes: Write only

7	6	5	4	3	2	1	0
CPT IE	APT IE	DET IE	END IE	DEC IE	ERR IE	DO IE	DI IE

Interrupt Status Register 1 (ISR1)—One-Chip Mode, Turbo+7210 Mode

Type: One-chip mode
Turbo+7210 mode

Attributes: Read only
Bits are cleared when read if SISB = 0

7	6	5	4	3	2	1	0
CPT	APT	DET	END RX	DEC	ERR	DO	DI

Interrupt Status Register 1 (ISR1) contains eight Interrupt Status bits. Interrupt Mask Register 1 (IMR1) contains eight Interrupt Enable bits that directly correspond to the Interrupt Status bits in ISR1. As a result, ISR1 and IMR1 service eight possible interrupt conditions; each condition has an associated Interrupt Status bit and an Interrupt Enable bit. If an Interrupt Enable bit is true when the corresponding status condition or event occurs, the TNT4882 can generate a hardware interrupt request. See the *Hardware Interrupts* section in Chapter 4, *TNT4882 Programming Considerations* and Appendix A, *Common Questions*.

Bits in ISR1 are set and cleared regardless of the status of the Interrupt bits in IMR1. If an interrupt condition occurs at the same time the host interface is reading ISR1, the TNT4882 does not set the corresponding Interrupt Status bit until the read is finished. A hardware reset clears all bits in IMR1.

Bit	Mnemonic	Description
7r	CPT	Command Pass Through bit
7w	CPT IE	Command Pass Through Interrupt Enable bit
		The CPT bit can flag the occurrence of two types of GPIB commands: undefined commands and user-specified commands.

IMR1/ISR1—One-Chip Mode, Turbo+7210 Mode (continued)

Bit	Mnemonic	Description
		<p>When CPT ENAB = 1, the CPT bit flags the occurrence of undefined commands and all following secondary commands. The CPT bit flags undefined Address Command Group (ACG) commands only when the TNT4882 is an Addressed Talker or Listener. The host interface can read the CPTR to determine the command the TNT4882 received.</p> <p>The CPT bit also flags the occurrence of commands that you specify when you set the AUXRE[3–2] or AUXRF[3–0] bits.</p> <p>When the CPT bit flags a command, the TNT4882 remains in a DAC Holdoff state until the host interface writes the Valid or Invalid auxiliary command to the AUXMR.</p> <p>CPT is set by</p> $ \begin{aligned} &[\text{UCG} + \text{ACG} \& (\text{TADS} + \text{LADS})] \& \text{undefined} \\ &\& \text{ACDS} \& \text{CPT ENABLE} \\ &+ \text{UDPCF} \& \text{SCG} \& \text{ACDS} \& \text{CPT ENABLE} \\ &+ \text{DHADT} \& \text{GET} \& \text{ACDS} \\ &+ \text{DHADC} \& (\text{SDC} + \text{DCL}) \& \text{ACDS} \\ &+ \text{DHATA} \& \text{TAG} \& \sim\text{UNT} \& \text{ACDS} \\ &+ \text{DHALA} \& \text{LAG} \& \sim\text{UNL} \& \text{ACDS} \\ &+ \text{DHUNTL} \& (\text{UNT} + \text{UNL}) \& \text{ACDS} \\ &+ \text{DHALL} \& \text{ATN} \& \text{ACDS} \end{aligned} $ <p>CPT is cleared by</p> $ \begin{aligned} &\text{pon} + (\text{read ISR1}) \& \sim\text{SISB} \\ &+ (\text{read CPTR}) \& \text{SISB} \end{aligned} $ <p>UDPCF is set by</p> $ \begin{aligned} &[\text{UCG} + \text{ACG} \& (\text{TADS} + \text{LADS})] \& \text{undefined} \\ &\& \text{ACDS} \& \text{CPT ENAB} \end{aligned} $ <p>UDPCF is cleared by</p> $ \begin{aligned} &[(\text{UCG} + \text{ACG}) \& \text{defined} + \text{TAG} + \text{LAG}] \& \\ &\text{ACDS} + \sim(\text{CPT ENAB}) + \text{pon} \end{aligned} $
6r	APT	Address Pass Through bit
6w	APT IE	Address Pass Through Interrupt Enable bit
		<p>APT indicates that the TNT4882 has received a secondary GPIB address. The host interface can read the secondary GPIB address in the CPTR.</p>

IMR1/ISR1—One-Chip Mode, Turbo+7210 Mode (continued)

Bit	Mnemonic	Description
		<p>Note: <i>If the application program uses extended dual addressing, it must check this bit.</i></p> <p>When APT sets, the TNT4882 enters the DAC Holdoff state. When the host interface writes the Valid or Invalid auxiliary command to the AUXMR, the TNT4882 exits the DAC Holdoff state.</p> <p>APT is set by ADM1 & ADM0 & (TPAS + LPAS) & SCG & ACDS</p> <p>APT is cleared by pon + (read ISR1) & ~SISB + (Valid + Nonvalid) & SISB</p>
5r	DET	Device Execute Trigger bit
5w	DET IE	Device Execute Trigger Interrupt Enable bit
		<p>DET indicates that the TNT4882 received the GPIB Group Execute Trigger (GET) command while the TNT4882 was a GPIB Listener.</p> <p>DET is set by DTAS = GET & LADS & ACDS</p> <p>DET is cleared by pon + (read ISR1) & ~SISB + clearDET</p>
4r	END RX	End Received bit
4w	END IE	End Received Interrupt Enable bit
		<p>END RX sets when the TNT4882 is a Listener and receives a data byte satisfying the END condition. A data byte satisfies the END condition if one of the following conditions is true:</p> <ul style="list-style-type: none"> • REOS = 1 and the data byte matches the contents of the EOSR. • NLEN = 1 and the data byte matches the ASCII new line character (hex 0A). • The GPIB EOI signal is asserted when the byte is received.

IMR1/ISR1—One-Chip Mode, Turbo+7210 Mode (continued)

Bit	Mnemonic	Description
		<p>END RX is set by $(EOI + EOS \& REOS + NL \& NLEN) \& ACDS$ $\& LACS$</p> <p>END RX is cleared by $pon + (read\ ISR1) \& \sim SISB + clearEND$</p>
3r	DEC	Device Clear bit
3w	DEC IE	Device Clear Interrupt Enable bit
		<p>DEC indicates that either the TNT4882 received the GPIB Device Clear (DCL) command or that the TNT4882 was a GPIB Listener and received the GPIB Selected Device Clear (SDC) command.</p> <p>DEC is set by $DCAS = (SDC \& LADS + DCL) \& ACDS$</p> <p>DEC is cleared by $pon + (read\ ISR1) \& \sim SISB + clearDEC$</p>
2r	ERR	Error bit
2w	ERR IE	Error Interrupt Enable bit

One-Chip Mode

ERR indicates that the SH function has attempted to use the IEEE 488.1 standard three-wire handshake protocol to send data or commands across the GPIB but has found no Listeners (that is, NDAC and NRFD were unasserted). Data is not lost. The SH function does not source a byte until a Listener appears (that is, NDAC is asserted).

ERR is set by
 $SDYS \& T1 \& \sim SHAS \& RFD \& EXTDAC$

ERR is cleared by
 $pon + (read\ ISR1) \& \sim SISB + clearERR$

IMR1/ISR1—One-Chip Mode, Turbo+7210 Mode (continued)

Bit	Mnemonic	Description
-----	----------	-------------

Turbo+7210 Mode

The definition of ERR depends on NTNL. When NTNL = 0, ERR indicates that the contents of the CDOR have been lost. ERR sets when the TNT4882 sends data over the GPIB while no Listener exists on the GPIB. ERR also sets when a byte is written to the CDOR during SIDS, or when a transition from SDYS to SIDS occurs.

When NTNL = 1, ERR indicates that the source handshake has attempted to send data or commands across the bus but has found no Listeners (that is, NDAC and NRFD were unasserted). Data is not lost. The SH function does not source the data or command until a Listener appears (that is, NDAC asserts).

ERR is set by

~NTNL & TACS & SDYS & DAC & RFD
 + ~NTNL & SIDS & (write CDOR)
 + ~NTNL & (SDYS to SIDS)
 + NTNL & SDYS & EXTDAC & RFD

ERR is cleared by

pon + (read ISR1) & ~SISB + clearERR

1r	DO	Data Out bit
1w	DO IE	Data Out Interrupt Enable bit

One-Chip Mode

DO is a don't care bit. Do not set DO IE. DO may read as 1 or 0.

Turbo+7210 Mode

DO indicates that the TNT4882, as GPIB Talker, is ready to accept another data byte into the CDOR. This data byte will be transmitted to the GPIB. DO clears when a byte is written to the CDOR or when the TNT4882 ceases to be the Active Talker.

IMR1/ISR1—One-Chip Mode, Turbo+7210 Mode (continued)

Bit	Mnemonic	Description
		DO is set by TACS & SGNS & ~nba
		DO is cleared by ~TACS + ~SGNS + nba + (read ISR1) & ~SISB
0r	DI	Data In bit
0w	DI IE	Data In Interrupt Enable Bit

One-Chip Mode

Do not use DI in one-chip mode. The TNT4882 stores data bytes in the FIFOs. Use the FIFO status flags to detect the receipt of data bytes.

Turbo+7210 Mode

DI indicates that the TNT4882, as a GPIB Listener, has accepted a data byte from the GPIB Talker.

DI is set by
LACS & ACDS

DI is cleared by
pon + (read ISR1 & ~SISB) + (Finish Handshake & Holdoff mode) + (read DIR)

Interrupt Mask Register 1 (IMR1)—Turbo+9914 Mode

Mode: Turbo+9914 mode

Attributes: Write only

7	6	5	4	3	2	1	0
GET IE	ERR IE	UNC IE	APT IE	DCAS IE	MA IE	0	IFC IE

Interrupt Status Register 1 (ISR1)—Turbo+9914 Mode

Mode: Turbo+9914 mode

Attributes: Read only
Bits are cleared when read

7	6	5	4	3	2	1	0
GET	ERR	UNC	APT	DCAS	MA	X	IFC

Interrupt Status Register 1 (ISR1) contains Interrupt Status bits. Interrupt Mask Register 1 (IMR1) contains Interrupt Enable bits that directly correspond to the Interrupt Status bits in ISR1. As a result, ISR1 and IMR1 service interrupt conditions; each condition has an associated Interrupt Status bit and an Interrupt Enable bit. If an Interrupt Enable bit is true when the corresponding status condition or event occurs, the TNT4882 **can** generate a hardware interrupt request. See the *Hardware Interrupts* section in Chapter 4, *TNT4882 Programming Considerations* and Appendix A, *Common Questions*.

Bits in ISR1 are set and cleared regardless of the status of the Interrupt bits in IMR1. If an interrupt condition occurs at the same time the host interface is reading ISR1, the TNT4882 does not set the corresponding Interrupt Status bit until the read is finished. A hardware reset clears all bits in IMR1.

The interrupts GET, UNC, APT, DCAS, and MA are set in response to commands received over the bus. If the corresponding Interrupt Enable bit is set, a DAC holdoff occurs when the interrupt sets.

Bit	Mnemonic	Description
7r	GET	Group Execute Trigger bit
7w	GET IE	Group Execute Trigger Interrupt Enable bit

GET indicates that the TNT4882 received the GPIB GET command while the TNT4882 was a GPIB Listener.

IMR1/ISR1—Turbo+9914 Mode (continued)

Bit	Mnemonic	Description
		<p>If GET IE = 1, a DAC holdoff occurs when the interrupt condition occurs. The TRIG pin goes high when the interrupt condition occurs and remains high until the DAC holdoff is released.</p> <p>If GET IE = 0, the TRIG pin asserts for one clock pulse.</p> <p>GET is set by GET & LADS & ACDS</p> <p>GET is cleared by swrst + (read ISR1)</p>
6r	ERR	Error bit
6w	ERR IE	Error Interrupt Enable bit
		<p>ERR sets when the Source Handshake becomes active (enters SDYS) and finds that the NDAC and NRFD lines are both unasserted on the GPIB. This condition indicates that there are no acceptors on the GPIB.</p> <p>ERR is set by SDYS & EXTDAC & RFD</p> <p>ERR is cleared by swrst + (read ISR1)</p>
5r	UNC	Unrecognized Command bit
5w	UNC IE	Unrecognized Command Interrupt Enable bit
		<p>UNC flags the occurrence of several types of GPIB commands. UNC sets when the TNT4882 accepts any unrecognized Universal Command Group (UCG) commands.</p> <p>If the TNT4882 is an Addressed Listener, UNC sets when the TNT4882 accepts any unrecognized ACG command.</p> <p>UNC flags the first secondary command that the TNT4882 accepts after the host interface issues the Pass Through Next secondary auxiliary command. UNC can also flag the occurrence of commands that you specify when you set the AUXRE[3–2]w or AUXRF[3–0]w bits.</p>

IMR1/ISR1—Turbo+9914 Mode (continued)

Bit	Mnemonic	Description
		<p>If UNC IE = 1, the TNT4882 performs a DAC holdoff when UNC sets. The host interface releases the DAC holdoff by issuing the Release DAC Holdoff auxiliary command. Read undefined commands by using the CPTR.</p> <p>UNC is set by</p> $\begin{aligned} & \text{ACDS} \& \text{UCG} \& \sim(\text{LLO} + \text{SPE} + \text{SPD} + \text{DCL} + \\ & \text{PPU} \& \text{PP1}) \\ & + \text{ACDS} \& \text{ACG} \& \sim(\text{GET} + \text{GTL} \\ & \quad + \text{SDC} + \text{TCT} + \text{PPC} \& \text{PP1}) \& \text{LADS} \\ & + \text{SCG} \& \text{PTS} \& \text{ACDS} \\ & + \text{DHADT} \& \text{GET} \& \text{ACDS} \\ & + \text{DHADC} \& (\text{SDC} + \text{DCL}) \& \text{ACDS} \\ & + \text{DHATA} \& \text{TAG} \& \sim\text{UNT} \& \text{ACDS} \\ & + \text{DHALA} \& \text{LAG} \& \sim\text{UNL} \& \text{ACDS} \\ & + \text{DHUNTL} \& (\text{UNT} + \text{UNL}) \& \text{ACDS} \\ & + \text{DHALL} \& (\text{ATN}) \& \text{ACDS} \end{aligned}$ <p>UNC is cleared by swrst + (read ISR1)</p>
4r	APT	Address Pass Through bit
4w	APT IE	Address Pass Through Interrupt Enable bit
		<p>Setting APT IE enables secondary addressing. If the last primary command accepted was a primary talk or listen address of the TNT4882, APT sets when the TNT4882 accepts a secondary command. The secondary command is a secondary GPIB address that can be read in the CPTR.</p> <p>Note: <i>When the host interface uses secondary addressing, it must check APT.</i></p> <p>If APT IE = 1, the TNT4882 performs a DAC holdoff when APT sets. The host interface releases the DAC holdoff by issuing the Release DAC Holdoff auxiliary command.</p> <p>APT is set by (TPAS + LPAS) & SCG & ACDS</p> <p>APT is cleared by swrst + (read ISR1)</p>

IMR1/ISR1—Turbo+9914 Mode (continued)

Bit	Mnemonic	Description
3r	DCAS	Device Clear Active State bit
3w	DCAS IE	Device Clear Active State Interrupt Enable bit
		DCAS indicates that either the TNT4882 received the GPIB Device Clear (DCL) command or that the TNT4882 was a Listener and received the GPIB Selected Device Clear (SDC) command.
		If DCAS IE = 1, the TNT4882 performs a DAC holdoff when DCAS sets. The host interface releases the DAC holdoff by issuing the Release DAC Holdoff auxiliary command.
		DCAS is set by ACDS & (DCL + SDC & LADS)
		DCAS is cleared by swrst + (read ISR1)
2r	MA	My Address bit
2w	MA IE	My Address Interrupt Enable bit
		MA sets when the TNT4882 accepts its primary talk or listen address.
		If MA IE = 1, the TNT4882 performs a DAC holdoff when MA sets. The host interface releases the DAC holdoff by issuing the Release DAC Holdoff auxiliary command.
		MA is set by (MLA + MTA) & ACDS & ~SPMS & ~APT IE
		MA is cleared by swrst + (read ISR1)
1r	X	Don't care bit
1w	0	Write 0 to this bit.

IMR1/ISR1—Turbo+9914 Mode (continued)

Bit	Mnemonic	Description
0r	IFC	Interface Clear bit
0w	IFC IE	Interface Clear Interrupt Enable bit
		IFC sets on the assertion of the GPIB IFC signal.
		IFC is cleared by swrst + (read ISR1)

Interrupt Mask Register 2 (IMR2)—One-Chip Mode, Turbo+7210 Mode

Type: One-chip mode
Turbo+7210 mode

Attributes: Write only

7	6	5	4	3	2	1	0
0	0	DMAO	DMAI	0	LOKC IE	REMC IE	ADSC IE

Interrupt Status Register 2 (ISR2)—One-Chip Mode, Turbo+7210 Mode

Type: One-chip mode
Turbo+7210 mode

Attributes: Read only
Bits clear when read if SISB = 0

7	6	5	4	3	2	1	0
INT	X	LOK	REM	X	LOKC	REMC	ADSC

Interrupt Status Register 2 (ISR2) contains Interrupt Status bits and Internal Status bits. Interrupt Mask Register 2 (IMR2) contains Interrupt Enable bits and Internal Control bits. If an Interrupt Enable is true when the corresponding status condition or event occurs, the TNT4882 **can** generate a hardware interrupt request. See the *Hardware Interrupts* section in Chapter 4, *TNT4882 Programming Considerations* and Appendix A, *Common Questions*.

Bits in ISR2 are set and cleared regardless of the status of the bits in IMR2. If an interrupt condition occurs at the same time the host interface is reading ISR2, the TNT4882 does not set the corresponding Interrupt Status bit until the read is finished. A hardware reset clears all bits in IMR2 .

Bit	Mnemonic	Description
-----	----------	-------------

7r	INT	Interrupt bit
----	-----	---------------

This bit is the logical OR of the Enabled Interrupt Status bits in ISR0, ISR1, and ISR2.

IMR2/ISR2—One-Chip Mode, Turbo+7210 Mode (continued)

Bit	Mnemonic	Description
		INT is set by [(CPT & CPT IE) + (APT & APT IE) + (DET & DET IE) + (ERR & ERR IE) + (END RX & END IE) + (DEC & DEC IE) + (DO & DO IE) + (DI & DI IE) + (REMC & REMC IE) + (LOKC & LOKC IE) + (ADSC & ADSC IE) + (STBO IE & STBO) + (IFCI IE & IFCI) + (ATNI IE & ATNI) + (TO IE & TO) + (SYNC IE & SYNC)]
7, 6, 3w	0	Write 0 to these bits.
6, 3r	X	Don't care bits These bits read as 1 or 0.
5r	LOK	Lockout bit
4r	REM	Remote bit

LOK and REM indicate the status of the GPIB Remote/Local (RL1) function of the TNT4882.

LOK	REM	RL1 State
0	0	LOCS
0	1	REMS
1	0	LWLS
1	1	RWLS

5w	DMAO	DMA Output Enable bit
----	------	-----------------------

One-Chip Mode

Write 0 to this bit.

Turbo+7210 Mode

Set DMAO when you use the FIFOs to send data across the GPIB—that is, the TNT4882 is a GPIB Talker. DMAO must be set to allow data transfers from the

IMR2/ISR2—One-Chip Mode, Turbo+7210 Mode (continued)

Bit	Mnemonic	Description
		Turbo488 FIFOs to the CDOR. When DMAO = 1, the DO condition causes a data transfer request rather than an interrupt request. After DMAO is set, the Turbo488 should be set up to respond to a data transfer request. See the <i>GPIB Data Transfers</i> section in Chapter 4, <i>TNT4882 Programming Considerations</i> .
4w	DMAI	DMA Input Enable bit One-Chip Mode Write 0 to this bit. Turbo+7210 Mode DMAI must be set to allow data transfers from the DIR to the Turbo488 FIFOs. When DMAI = 1, the DI condition causes a data transfer request rather than an interrupt request. After DMAI is set, the Turbo488 should be set up to respond to a data transfer request. See the <i>GPIB Data Transfers</i> section in Chapter 4, <i>TNT4882 Programming Considerations</i> .
2r	LOKC	Lockout Change bit
2w	LOKC IE	Lockout Change Interrupt Enable bit LOKC sets when there is a change in the LOK bit, ISR2[5]r. LOKC is set by any change in LOK LOKC is cleared by pon + (read ISR2) & ~SISB + clearLOKC
1r	REMC	Remote Change bit
1w	REMC IE	Remote Change Interrupt Enable bit REMC sets when there is a change in the REM bit, ISR2[4]r.

IMR2/ISR2—One-Chip Mode, Turbo+7210 Mode (continued)

Bit	Mnemonic	Description
		REMC is set by any change in REM
		REMC is cleared by pon + (read ISR2) & ~SISB + clearREMC
0r	ADSC	Addressed Status Change bit
0w	ADSC IE	Addressed Status Change Interrupt Enable bit
		ADSC sets when one of the following bits of the ADSR changes: TA, LA, or MJMN.
		ADSC is set by [(any change in TA) + (any change in LA) + (any change in MJMN)] & ~(lon + ton)
		ADSC is cleared by pon + (read ISR2) & ~SISB + clearADSC + lon + ton

Interrupt Mask Register 2 (IMR2)—Turbo+9914 Mode

Mode: Turbo+9914 mode

Attributes: Write only

7	6	5	4	3	2	1	0
1	STBO IE	NLEN	BTO	LLOC IE	ATNI IE	TO IE	0

Interrupt Status Register 2 (ISR2)—Turbo+9914 Mode

Mode: Turbo+9914 mode

Attributes: Read only

7	6	5	4	3	2	1	0
nba	STBO	NL	EOS	LLOC	ATNI	TO	X

Interrupt Status Register 2 (ISR2) contains Interrupt Status bits and Internal Status bits. Interrupt Mask Register 2 (IMR2) contains Interrupt Enable bits and Internal Control bits. As a result, ISR2 and IMR2 service several possible interrupt conditions; each condition has an associated Interrupt Status bit and an Interrupt Enable bit. If an Interrupt Enable bit is true when the corresponding status condition or event occurs, the TNT4882 **can** generate a hardware interrupt request. See the *Hardware Interrupts* section in Chapter 4, *TNT4882 Programming Considerations* and Appendix A, *Common Questions*.

Bits in ISR2 are set and cleared regardless of the status of the Interrupt bits in IMR2. If an interrupt condition occurs at the same time the host interface is reading ISR2, the TNT4882 does not set the corresponding Interrupt Status bit until the read is finished. A hardware reset clears all bits in IMR2 except bit 7.

Bit	Mnemonic	Description
7r	nba	New Byte Available local message bit This bit is true when the local variable nba is true. nba is set on writes to the CDOR and cleared on entrance to STRS, pon, or nbaF.
7w	1	Write 1 to this bit.

IMR2/ISR2—Turbo+9914 Mode (continued)

Bit	Mnemonic	Description
6r	STBO	Status Byte Out bit
6w	STBO IE	Status Byte Out Interrupt Enable bit
		<p>STBO is set upon entering SPAS when STBO IE = 1. Writing to the SPMR clears STBO.</p> <p>STBO IE determines how the TNT4882 requests service and responds to serial polls.</p> <p>If STBO IE = 0, the rsv bit in SPMR can be used to request service. When the GPIB Controller serial polls the TNT4882, the TNT4882 transmits the current value of SPMR.</p> <p>If STBO IE = 1, the rsv bit in the SPMR has no effect on the SR1 function and rsv must be generated through the reqt auxiliary command. When the GPIB Controller serial polls the TNT4882, STBO sets. In response to STBO, the host interface writes a byte to SPMR, then the TNT4882 transmits this byte as the Serial Poll response.</p> <p>STBO is set by STBO IE & SPAS</p> <p>STBO is cleared by swrst + (write SPMR) + ~SPAS</p>
5r	NL	New Line Receive bit
		<p>NL indicates that the last data byte that the TNT4882 received was an ASCII new line character.</p> <p>NL is set by LACS & NL & ACDS</p> <p>NL is cleared by swrst + (LACS & ~NL & ACDS)</p>

IMR2/ISR2—Turbo+9914 Mode (continued)

Bit	Mnemonic	Description
5w	NLEN	<p>New Line End Enable bit</p> <p>If NLEN = 1, the TNT4882 treats the 7-bit ASCII character, new line (0A hex), as an EOS character. The Acceptor Handshake function responds to the acceptance of a new line character in the same manner as if EOI were sent.</p>
4r	EOS	<p>End-of-String bit</p> <p>EOS indicates that REOS = 1 and the last data byte that the TNT4882 received matched the contents of the EOSR.</p> <p>EOS is set by LACS & EOS & REOS & ACDS</p> <p>EOS is cleared by swrst + (LACS & ~EOS & ACDS) + ~REOS</p>
4w	BTO	<p>Byte Timeout bit</p> <p>Setting BTO enables byte timeouts. For more information on the function of byte timeouts, see the <i>Accessory Register J (AUXRJ)</i> section in this chapter.</p>
3r 3w	LLOC LLOC IE	<p>Local Lockout Change bit Local Lockout Change Interrupt Enable bit</p> <p>LLOC is set by any change in the LOK bit</p> <p>LLOC is cleared by chip_reset + (read ISR0)</p>
2r 2w	ATNI ATNI IE	<p>ATN Interrupt bit ATN Interrupt Enable bit</p> <p>ATN is set by (ATN) becomes true</p> <p>ATN is cleared by chip_reset + read ISR0</p>

IMR2/ISR2—Turbo+9914 Mode (continued)

Bit	Mnemonic	Description
1r	TO	Timeout bit
1w	TO IE	Timeout Interrupt Enable bit
		TO reflects the status of the Timer. Once started, the Timer will set the Timeout status bit after the amount of time specified in the Timer Register has elapsed. (See the <i>Accessory Register J</i> section in this chapter.) An interrupt is generated when TO IE and TO are set. TO is cleared when the Timer Register is written.
0r	X	Don't care bit
0w	0	Write 0 to this bit.

Interrupt Mask Register 3 (IMR3)

Type: All modes

Attributes: Read/Write

7	6	5	4	3	2	1	0
0	INTSRC2 IE	0	STOP IE	NFF IE	NEF IE	TLCINT IE	DONE IE

Interrupt Status Register 3 (ISR3)

Type: All modes

Attributes: Read only

7	6	5	4	3	2	1	0
INT	INTSRC2	X	STOP	NFF	NEF	TLCINT	DONE

Interrupt Status Register 3 (ISR3) contains Interrupt Status bits that convey the status information of different conditions. If an interrupt status bit is set and its corresponding interrupt mask bit in IMR3 is also set, the TNT4882 asserts its interrupt request pin and the INT bit will be set. The TNT4882 unasserts its interrupt request pin on reset because the IMR3 is cleared and all interrupts are masked. See the *Hardware Interrupts* section in Chapter 4, *TNT4882 Programming Considerations*.

Interrupt Mask Register 3 (IMR3) contains Interrupt Enable bits that directly correspond to the status bits in ISR3. If a bit in IMR3 is set, the corresponding interrupt condition in ISR3 causes an interrupt when it is true. This register is cleared on a reset.

Notice that IMR3 is a readable register. Reading IMR3 returns the last value written to IMR3, not the interrupt status bits.

Bit	Mnemonic	Description
ISR3[7]r	INT	Interrupt Request Pin bit This bit is set if any of the enabled IMR3 interrupt conditions is true.
IMR3[7]r/w 0		Write 0 to this bit.

IMR3/ISR3 (continued)

Bit	Mnemonic	Description
ISR3[6]r	INTSRC2	Interrupt Source 2 bit
IMR3[6]r/w	INTSRC2 IE	Interrupt Source 2 Interrupt Enable bit

One-Chip Mode

INTSRC2 = FIFO_RDY
 = IN & ~HALT & (FIFOs at least half full)
 + ~IN & ~HALT & (FIFOs at least half empty)

Turbo+7210 Mode**Turbo+9914 Mode**

INTSRC2 = 1 if the GPIB ATN* signal asserts.

ISR3[5]r	X	Don't care bit
IMR3[5]r/w	0	Write 0 to this bit.

ISR3[4]r	STOP	Turbo488 Transfer State Machine Status bit
IMR3[4]r/w	STOP IE	STOP Interrupt Enable bit

STOP indicates the status of the interrupt condition STOP. See the *Status 1 Register (STS1)* section in this chapter.

ISR3[3]r	NFF	Not Full FIFO bit
IMR3[3]r/w	NFF IE	Not Full FIFO Interrupt Enable bit

NFF indicates the status of the interrupt condition Not Full FIFO (NFF), which is used for programmed I/O GPIB writes or commands. If NFF = 1, the TNT4882 FIFOs are not full.

ISR3[2]r	NEF	Not Empty FIFO bit
IMR3[2]r/w	NEF IE	Not Empty FIFO Interrupt Enable bit

NEF indicates the status of the interrupt condition Not Empty FIFO (NEF), which is used for programmed I/O GPIB reads. If NEF = 1, the TNT4882 FIFOs are not empty.

IMR3/ISR3 (continued)

Bit	Mnemonic	Description
ISR3[1]r	TLCINT	NAT4882 Interrupt Line bit
IMR3[1]r/w	TLCINT IE	NAT4882 Interrupt Line Interrupt Enable bit
		If this bit is set, one of the IMR0, IMR1, or IMR2 interrupts is asserted.
ISR3[0]r	DONE	GPIB Transfer Status bit
IMR3[0]r/w	DONE IE	GPIB Transfer Status Interrupt Enable bit
		DONE indicates the status of the interrupt condition DONE. See the <i>Status 1 Register (STS1)</i> section in this chapter.

Board Interrupt Register (INTR)

Type: All modes
ISA pin configuration only

Attributes: Write only

7	6	5	4	3	2	1	0
0	0	0	0	0	0	0	INTEN

Bit	Mnemonic	Description
7-1w	0	Write 0 to these bits.
0w	INTEN	Interrupt Enable bit

When INTEN = 0, the TNT4882 tristates the INTR pin.
When INTEN = 1, the TNT4882 drives INTR high or low. The host interface should set INTEN before enabling the interrupt controller.

A hardware reset clears INTEN.

Key Control Register (KEYREG)

Type: One-chip mode
Turbo+7210 mode

Attributes: Write only

7	6	5	4	3	2	1	0
0	SWAP	MSTD	0	KEY CLK	KEY DATEN	KEY DATA	KEY RST*

The Key Control Register (KEYREG) is a write-only register; you can use it to control a hardware key.

Bit	Mnemonic	Description
7w	0	Write 0 to this bit.
6w	SWAP	9914 Mode Registers SWAP bit See <i>The SWAP Bit</i> section, which is located earlier in this chapter.
5w	MSTD	Setting MSTD enables 350-ns T1 delays. See the <i>T1 Delay Generation</i> section in Chapter 4, <i>TNT4882 Programming Considerations</i> .
4w	0	Write 0 to this bit.
3w	KEYCLK	Key Clock bit KEYCLK controls the KEYCLK output pin. Set the KEYCLK bit to drive the KEYCLK pin low. Clear KEYCLK to drive the KEYCLK pin high. Toggle this bit to read or write data to an electronic key using the KEYDATA bit. The data in KEYDATA is written to the key on the falling edge of the KEYCLK bit if KEYDATEN is set to 1. Data is read from the key and placed at the KEYDQ bit in the CSR on the rising edge of the KEYCLK bit if KEYDATEN is cleared.

Note: *The active edges of KEYCLK contradict the DS1204 data sheet, because the KEYCLK bit is inverted before it is presented to the hardware keys.*

KEYREG (continued)

Bit	Mnemonic	Description
2w	KEYDATEN	Key Data Enable bit You must set this bit to 1 to write data into the key. If KEYDATEN = 0, you can read data from the key.
1w	KEYDATA	Key Data bit This bit holds the data to be written into the key memory. You must set KEYDATEN to write into the key. The data bit is written into the key memory on the rising edge of the KEYCLK signal.
0w	KEYRST*	Key Reset bit This bit must be set to 1 to initiate a key data transfer, and it must remain set to 1 throughout the entire data transfer. You can terminate key data transfer by clearing this bit.

Miscellaneous Register (MISC)

Type: One-chip mode
Turbo+7210 mode

Attributes: Write only

7	6	5	4	3	2	1	0
0	0	0	HSE	SLOW	WRAP	NOAS	NOTS

Issue the chip reset auxiliary command to clear all bits in the MISC. A hardware reset also clears all bits in the MISC.

Bit	Mnemonic	Description
7–5w	0	Write 0 to these bits.
4w	HSE	HS488 Enable

One-Chip Mode

When HSE = 1, the TNT4882 can use the HS488 handshake state machines. When HSE = 0, the TNT4882 uses the IEEE 488 standard three-wire handshake.

When HSE = 1, the AH function is enabled to enter AHAS. When HSE = 0, it forces the AH function to exit AHAS. When AHAS is false, the TNT4882 uses the IEEE 488 standard Acceptor Handshake function.

When HSE = 0, it forces the SH function to exit SHAS. When SHAS is false, the TNT4882 uses the IEEE 488 standard SH function.

Turbo+7210 Mode

Write 0 to the HSE bit.

3w	SLOW	Slow Handshake Lines
----	------	----------------------

Setting the SLOW bit enables circuitry that increases the time NTFD* or NDFC* must be unasserted before the TNT4882 responds to the unassertion. This effectively slows down the TNT4882 handshake for a few devices

MISC (continued)

Bit	Mnemonic	Description
		that do not meet the IEEE 488.1 standard. For example, if a device unasserts NDAC before it has latched the DIO signals, the TNT4882 does not respond to the unassertion edge of NDAC for 700 ns (if SLOW = 1).
2w	WRAP	<p>Wrap Back bit</p> <p>When WRAP = 1, the GPIB transceivers are tristated, but the GPIB signals are fed back into the TNT4882. These actions allow diagnostics to run without disconnecting GPIB cables from the board. Set WRAP only for diagnostic purposes.</p>
1w	NOAS	<p>No HALT On ATN Or STBQ Interrupts bit</p> <p>When NOAS = 1, a TNT4882 interrupt caused by the ATN signal or STBO does not assert the Turbo488 HALT signal.</p>
0w	NOTS	<p>No HALT On TO And SRQ Interrupts bit</p> <p>When NOTS = 1, a TNT4882 Interrupt caused by TO or SRQ does not assert the Turbo488 HALT signal.</p>

Parallel Poll Register (PPR)—Turbo+7210 Mode

Type: One-chip mode
Turbo+7210 mode

Attributes: Write only
Accessed at the same offset as AUXMR

7	6	5	4	3	2	1	0
0	1	1	U	S	P3	P2	P1

You use the Parallel Poll Register (PPR) to locally configure the manner in which the TNT4882 responds to a parallel poll. You write to the PPR at the same offset as the AUXMR. See the *Parallel Polling* section in Appendix C, *Introduction to the GPIB*.

When you use remote Parallel Poll Configuration (IEEE 488 capability code PP1), do not write to the PPR: writing to the PPR after it is remotely configured corrupts the configuration. The TNT4882 implements remote configuration fully and automatically without software assistance. However, you must still set or clear the individual status (ist) message (by using Set/Clear Parallel Poll Flag auxiliary commands) according to pre-established system protocol convention.

When you use the local Parallel Poll Configuration (capability code PP2), write to the PPR in advance of a poll. If PP2 (AUXRI[2]w) = 0, the contents written to the PPR are overwritten if the Controller sends a Parallel Poll command (such as PPE or PPD while in PACS or PPU) that causes the remote configuration to override the local configuration. If PP2 = 1, the reception of parallel poll commands does not affect the contents of the PPR and the local configuration determines the response during parallel polls.

Bit	Mnemonic	Description
4w	U	Unconfigure bit

The U bit determines whether the TNT4882 participates in a parallel poll. If U = 1, the TNT4882 does not participate in parallel polls. If the host interface sets U, it should clear S and P[3–1] simultaneously.

If U = 0, the TNT4882 participates in parallel polls and responds in the manner defined by PPR[3] through PPR[0] and by ist. S and P[3–1] are identical to the bit of the same name in the PPE message, and the I/O write operation to the PPR is identical to the receipt of the PPE message from the GPIB Controller.

PPR—Turbo+7210 Mode (continued)

Bit	Mnemonic	Description
3w	S	Status Bit Polarity (Sense) bit

S indicates the polarity, or sense, of the TNT4882 local ist message. The following table describes the function of S.

S	ist	State of DIO Line (Selected by P[3–1] During a Parallel Poll)
0	0	Low Voltage—Logic 1
0	1	Unasserted—Logic 0
1	0	Unasserted—Logic 0
1	1	Low Voltage—Logic 1

Note: *The DIO lines are driven with open-collector drivers during parallel polls.*

For more information, refer to the *Auxiliary Register B (AUXRB)* section and Table 3-13, *Auxiliary Command Description*. The *AUXRB* section and Table 3-13 are located earlier in this chapter.

2–0w	P[3–1]	Parallel Poll Response bits 3 through 1
------	--------	---

P[3–1] indicate which of the eight DIO lines is asserted during a parallel poll. The following table shows the signal on which the TNT4882 responds to parallel polls.

P[3–1]	Signals on which TNT4882 Responds to Parallel Polls
000	DIO1
001	DIO2
010	DIO3
011	DIO4
100	DIO5
101	DIO6
110	DIO7
111	DIO8

PPR—Turbo+7210 Mode (continued)

Table 3-17 shows some examples of configuring the PPR.

Table 3-17. Parallel Poll Register Example

Binary Value Written to the AUXMR	Result
0 1 1 1 0 0 0 0	Unconfigures PPR. U = 1.
0 1 1 0 0 0 0 0	0 0 0 0 is written to the PPR. The TNT4882 participates in parallel polls, asserting the DIO1 line if ist is 0.
0 1 1 0 1 0 0 1	0 1 0 0 1 is written to the PPR. The TNT4882 participates in parallel polls, asserting the DIO2 line if ist is 1.

Parallel Poll Register (PPR)—Turbo+9914 Mode

Mode: Turbo+9914 mode

Attributes: Write only

7	6	5	4	3	2	1	0
PP8	PP7	PP6	PP5	PP4	PP3	PP2	PP1

Bit	Mnemonic	Description
7–0w	PP8–PP1	<p>When a Controller initiates a parallel poll, the TNT4882 drives the contents of the PPR on the GPIB DIO lines using open-collector drivers. If PP8–PP1 = 00 (hex), none of the lines (DIO(8–1)) are asserted during a parallel poll.</p> <p>The PPR is double buffered. If the PPR is written during a parallel poll, the new value is held until the parallel poll ends. When the parallel poll ends, the register is updated. In other words, the control program can update the parallel poll response asynchronously to the GPIB.</p> <p>A hardware reset or a ch_rst auxiliary command clears PPR. The host interface can load PPR while swrst = 1.</p>

Programmable T1 Register (PT1)

Type: One-chip mode
Turbo+7210 mode

Attributes: Write only
Hidden: accessed through SH_CNT

7	6	5	4	3	2	1	0
0	0	PT1_ENA	PT1_4	PT1_3	PT1_2	PT1_1	PT1_0

Access this hidden register through the SH_CNT register.

Bit	Mnemonic	Description
7–6w	00	To access the PT1 register, these bits must be 00.
5w	PT1_ENA	<p>Programmable T1 enable</p> <p>When PT1 = 1, the T1 delay for second and subsequent data bytes is determined by the values of the PT1[4–0] bits. When PT1 = 0, the T1 delay for the second and subsequent data bytes is determined by the TRI bit, AUXRB[2]w, and the USTD bit, AUXRI[3]w.</p> <p>PT1_ENA is cleared by a hardware reset. The other bits in the PT1 are not cleared by a hardware reset.</p>
4–0w	PT1_[4–0]	<p>Programmable T1 delay</p> <p>If programmable T1 delays are in use, the time that the Source Handshake spends in SDYS1 is</p> $T1 = (25 \text{ ns}) * (2 + PT1_{[4-0]})$ <p>Example: If PT1_[4–0] = 00101, T1 = (25 ns) * (2 + 5) = 175 ns</p> <p>Notes: <i>For HS488 transfers, the transition from SDYS1 to SDYS2 may be caused by TSETUP and not T1.</i></p>

Source/Acceptor Status Register (SASR)

Type: One-chip mode
 Turbo+7210 mode

Attributes: Read only

7	6	5	4	3	2	1	0
nba	AEHS	ANHS1	ANHS2	ADHS	ACRDY	SH1A	SH1B

The Source/Acceptor Status Register (SASR) contains status bits that you can use to determine the state of the Source and Acceptor functions.

Bit	Mnemonic	Description
7r	nba	New Byte Available local message bit
6r	AEHS	Acceptor End Holdoff State bit
5r	ANHS1	Acceptor Not Ready Holdoff bit
4r	ANHS2	Acceptor Not Ready Holdoff Immediately bit
3r	ADHS	Acceptor Data Holdoff State bit
2r	ACRDY	Acceptor Ready State bit

Use this bit to determine the state of the Acceptor Handshake. By monitoring the LA and ATN bits in the ADSR, the DAV bit in the BSR, and the ADHS and ACRDY bits, you can determine the state of the Acceptor Handshake function as described below:

AIDS = \sim ATN & \sim LA
 ANRS = \sim AIDS & \sim ACRDY & \sim DAV
 ACRS = \sim AIDS & ACRDY & \sim DAV
 ACDS = \sim AIDS & ACRDY & DAV
 + \sim AIDS & \sim ACRDY & DAV & ATN & ADHS
 AWNS = \sim AIDS & \sim ACRDY & DAV & \sim (ATN & ADHS)

SASR (continued)

Bit	Mnemonic	Description
1–0r	SH1A SH1B	Source Handshake State bits
		Use these bits to determine the state of the Source Handshake interface function. By monitoring the TA, SPMS, ATN bits in the ADSR, and the SH1A and SH1B bits, you can determine the state of the Source Handshake function as described below:
		SIDS = $\sim(\text{TACS} \ \& \ \sim\text{ATN})$
		SGNS = $\sim\text{SIDS} \ \& \ \sim\text{SH1A} \ \& \ \sim\text{SH1B}$
		SDYS = $\sim\text{SIDS} \ \& \ \text{SH1A}$
		STRS = $\sim\text{SIDS} \ \& \ \sim\text{SH1A} \ \& \ \text{SH1B}$

SH_CNT Register (SH_CNT)

Type: One-chip mode
Turbo+7210 mode

Attributes: Write only
Permits access to hidden registers

7	6	5	4	3	2	1	0
CNT2	CNT1	CNT0	TD4	TD3	TD2	TD1	TD0

Use the SH_CNT register to set the value of the GPIB SH counter registers. Four hidden registers are present at the SH_CNT register offset. The value of the SH_CNT[7-5] bits determines which registers are written to (see Table 3-18).

Table 3-18. CNT Value and the Accessed Register

CNT[2-0]	Register Accessed
00X	Programmable T1 (PT1)
010	T17
100	T12
110	T13

Note: *None of the bits in the SH counter registers, except PT1_ENA, are cleared by a hardware or software reset.*

Serial Poll Mode Register (SPMR)

Type: All modes

Attributes: Write only

7	6	5	4	3	2	1	0
S8	rsv/RQS	S6	S5	S4	S3	S2	S1

Serial Poll Status Register (SPSR)

Type: All modes

Attributes: Read only

7	6	5	4	3	2	1	0
S8	PEND	S6	S5	S4	S3	S2	S1

Bit	Mnemonic	Description
7r, 7w	S8	Serial Poll Status bit 8
5–0r, 5–0w	S[6–1]	Serial Poll Status bits 6 through 1 These bits send device- or system-dependent status information over the GPIB when the Controller serial polls the TNT4882. When STBO IE = 0, the TNT4882 transmits a byte of status information, SPMR[7–0], to the CIC if the CIC serial polls the TNT4882. The SPMR bits S[8, 6–1] are double buffered. If the host interface writes to the SPMR during a serial poll when SPAS is active, the TNT4882 saves the value. The TNT4882 updates the SPMR when the TNT4882 exits SPAS. When STBO IE = 1 and the Controller serial polls the TNT4882, the STBO interrupt condition sets. The host interface should write the STB and the RQS bit to the SPMR in response to an STBO interrupt.

SPMR/SPSR (continued)

Bit	Mnemonic	Description
6r	PEND	<p data-bbox="525 288 1103 371">Issuing the ch_rst auxiliary command (in Turbo+9914 mode) or the chip reset auxiliary command (in Turbo+7210 or one-chip mode) clears these bits.</p> <p data-bbox="525 435 646 458">Pending bit</p> <p data-bbox="525 496 1130 666">PEND sets when rsv = 1. PEND clears when the TNT4882 is in the Negative Poll Response State (NPRS) and the local Request Service (rsv) message is false. By reading the PEND status bit, you can confirm that a request was accepted and that the STB was transmitted (PEND = 0).</p>
6w	rsv/RQS	<p data-bbox="525 730 801 753">Request Service/ RQS bit</p> <p data-bbox="525 791 1150 991">When STBO IE = 0, bit 6 is the rsv bit. The rsv bit generates the GPIB local rsv message. When rsv = 1 and the GPIB Controller is not serial polling the TNT4882, the TNT4882 enters the Service Request State (SRQS) and asserts the GPIB SRQ signal. When the Controller reads the STB during the poll, the TNT4882 clears rsv. The rsv bit is also cleared by a hardware reset or by writing 0 to it.</p> <p data-bbox="525 1025 1130 1078">In Turbo+7210 mode or one-chip mode, issuing the chip reset auxiliary command also clears rsv.</p> <p data-bbox="525 1112 1130 1371">When STBO IE = 1, bit 6 is the RQS bit. When the Controller serial polls the TNT4882, the STBO interrupt condition sets. The host interface should write the STB and the RQS bit to the SPMR in response to an STBO interrupt. The TNT4882 transfers the STB and RQS to the Controller during that particular serial poll. A hardware reset clears RQS. In Turbo+7210 mode or one-chip mode, issuing the chip reset auxiliary command also clears RQS.</p>

Status 1 Register (STS1)

Type: All modes

Attributes: Read only

7	6	5	4	3	2	1	0
DONE	0	IN	DRQ	STOP	DAV	HALT	GSYNC

The Status 1 Register (STS1) contains bits that convey status information from different modules within the TNT4882. IN and DRQ bits are cleared on reset.

Bit	Mnemonic	Description
7r	DONE	<p>GPIB Transfer Status bit</p> <p>DONE is set when the last GPIB transfer is complete. DONE is cleared when the GO command is issued.</p> <p>In the case of GPIB writes, when the IN bit CFG[5]w = 0, DONE = GSYNC.</p> <p>In the case of GPIB reads, when the IN bit CFG[5]w = 1, DONE = GSYNC & (FIFOs empty).</p>
6r	0	This bit reads 0.
5r	IN	<p>Data Direction Transfer bit</p> <p>IN indicates the status of the IN bit in CFG.</p>
4r	DRQ	<p>DMA Request Pin Status bit</p> <p>DMA indicates the status of the TNT4882 DMA Request output signal. DRQ is cleared by a reset.</p>
3r	STOP	<p>Turbo488 Transfer State Machine Status bit</p> <p>STOP indicates the status of the transfer state machine that is internal to the Turbo488.</p>

STS1 (continued)

Bit	Mnemonic	Description
		<p>One-Chip Mode</p> <p>STOP is cleared when the host interface issues the GO command. STOP is set by a hardware reset, by issuing the SOFT_RESET command, by issuing the STOP command to the CMDR, or by transferring the last byte either to or from the FIFOs.</p> <p>Turbo+7210 Mode Turbo+9914 Mode</p> <p>STOP is cleared when the host interface issues the GO command. STOP is set when either the transfer state machine transfers the last byte (count = 0) or when the host interface issues a STOP command. STOP is set on reset.</p>
2r	DAV	<p>GPIB Data Valid Signal bit</p> <p>This bit indicates the status of the GPIB Handshake line DAV*. If DAV = 1, the GPIB DAV* signal is asserted.</p>
1r	HALT	<p>Turbo488 Transfer State Machine Halted bit</p> <p>HALT indicates the status of the transfer state machine. HALT is set if either the STOP bit is set or the TLCINT signal asserts while TLCHLTE = 1. HALT is set on reset.</p> <p>If NOAS = 1 or NOTS = 1, certain IMR2, IMR1, and IMR0 interrupts will not cause a HALT even if TLCHLTE is asserted.</p>
0r	GSYNC	<p>GPIB Synchronization bit</p> <p>GSYNC indicates that the GPIB has synchronized—that is, the last byte transferred was accepted by all GPIB Listeners. GSYNC = 1 on reset.</p>

STS1 (continued)

Bit	Mnemonic	Description
		<p>One-Chip Mode</p> <p>GSYNC is set by $(IN \& AH_SYNC) + (\sim IN \& SH_SYNC)$</p> <p>Where $IN = CFG[5]_w$ $AH_SYNC = HALT \& (AIDS + ANRS)$ $SH_SYNS = HALT \& (SIDS + SGNS)$</p> <p>GSYNC is cleared by the GO command.</p>
		<p>Turbo+7210 Mode Turbo+9914 Mode</p> <p>GSYNC sets when the GPIB DAV signal unasserts after the last byte transfers over the GPIB. Writing GO to the CMDR clears GSYNC.</p>

Status 2 Register (STS2)

Type: All modes

Attributes: Read only

7	6	5	4	3	2	1	0
1	16/8N	0	1	AFFN	AEFN	BFFN	BEFN

The Status 2 Register (STS2) contains status information from different modules within the TNT4882. All bits are cleared on reset, except AFFN and BFFN, which are set on reset.

Bit	Mnemonic	Description
7r	1	This bit reads as 1.
6r	16/8N	16- or 8-Bit Mode bit This bit reflects the status of the 16/8N bit in the Configuration Register (CFG).
5r	0	This bit reads as 0.
4r	1	This bit reads as 1.
3r	AFFN	FIFO A Full Flag bit AFFN = 0 if FIFO A is full.
2r	AEFN	FIFO A Empty Flag bit AEFN = 0 if FIFO A is empty.
1r	BFFN	FIFO B Full Flag bit BFFN = 0 if FIFO B is full.
0r	BEFN	FIFO B Empty Flag bit BEFN = 0 if FIFO B is empty.

T12 Register (T12)

Type: One-chip mode

Attributes: Write only
Hidden: accessed through SH_CNT

7	6	5	4	3	2	1	0
1	0	0	T12_4	T12_3	T12_2	T12_1	T12_0

Access this hidden register through the SH_CNT register.

Bit	Mnemonic	Description
7–5w	100	To access the T12 register, these bits must be 100.
4–0w	T12_[4–0]	T12 delay The T12 delay determines the duration of the STRS in HS488 transfers if the PMT signal is false. The length of T12 can be calculated as follows:

$$t12 = (25 \text{ ns}) * (2 + T12_{[4-0]})$$

Example: If $T12_{[4-0]} = 0001$, then
 $t12 = (25 \text{ ns}) + (2 + 1) = 75 \text{ ns}$

Notes: *T12_[4-0] is unknown upon power on.*

T13 Register (T13)

Type: One-chip mode

Attributes: Write only
Hidden: accessed through SH_CNT

7	6	5	4	3	2	1	0
1	1	0	T13_4	T13_3	T13_2	T13_1	T13_0

Access this hidden register through the SH_CNT register.

Bit	Mnemonic	Description
7–5w	110	To access the T13 register, these bits must be 110.
4–0w	T13_[4–0]	T13 delay

The T13 delay determines the duration of the SDYS1 in high-speed modes. The length of T13 can be calculated as follows:

$$T13 = (25 \text{ ns}) * (2 + T13_{[4-0]})$$

Example: If $T13_{[4-0]} = 0000$, then
 $t13 = (25 \text{ ns}) + (2 + 0) = 50 \text{ ns}$

If the NO_TSETUP bit, HIER[4]w is set, $T13 = 25 \text{ ns}$.

Notes: *T13_[4–0] is unknown upon power on.*

T17 Register (T17)

Type: One-chip mode

Attributes: Write only
Hidden: accessed through SH_CNT

7	6	5	4	3	2	1	0
0	1	0	T17_4	T17_3	T17_2	T17_1	T17_0

Access this hidden register through the SH_CNT register.

Bit	Mnemonic	Description
7–5w	010	Write 010 to these bits.
4–0w	T17_[4–0]	T17 delay

At the beginning of an HS488 transfer, T17 delay determines the duration of the HSC pulse on the NRFD signal. T17 also determines the duration of the STRS in HS488 transfers if the PMT signal is true. The length of T17 can be calculated as follows:

$$t17 = (25 \text{ ns}) * (2 + T17_ [4-0])$$

Example: If T17_[4–0] = 10011, then
 $T17 = (25 \text{ ns}) + (2 + 19) = 525 \text{ ns}$

Notes: *T17_[4–0] is unknown upon power on.*

Timer Register (TIMER)

Type: All modes

Attributes: Read/Write

7	6	5	4	3	2	1	0
TMR7	TMR6	TMR5	TMR4	TMR3	TMR2	TMR1	TMR0

The Timer Register (TIMER) is writable and readable and holds the 8-bit timeout value that is used to limit the duration of Demand Mode DMA transfers. The operation of the TIMER is controlled by the TIMBYTN and TMOE bits in the Configuration Register.

Note: *This timer is independent of the timer described by AUXRJ and ACCRJ.*

Modes of Operation

Description

TMOE = 0

Disabled

Once the TNT4882 has asserted its DRQ signal and the DMA controller begins servicing the TNT4882 by performing DMA cycles, the TNT4882 does not unassert its DRQ signal until the FIFO is full on GPIB writes or until the FIFO is empty on GPIB reads.

TMOE = 1
TIM/BYTN = 1

Timeout mode

In this mode, the TIMER forces the DRQ signal to unassert during the next FIFO access after the time limit has expired. The time limit is set by loading the TIMER with the two's complement of the desired number of 100-ns clock periods to be counted (for example, 12 μ s = 88 hex). Counting begins when the DACK* is first asserted (first DMA cycle) after the DRQ signal is asserted.

TMOE = 1
TIM/BYTN = 0

Byte Count mode

In this mode, the TIMER forces the DRQ signal to unassert after the Byte Count has been reached. The Byte Count is set by writing the TIMER with the two's complement of the desired Byte Count. For example, to use cycle steal mode (one transfer per DRQ assertion), write the two's complement of one (FF hex) to the TIMER. The TNT4882 will assert the DRQ line again after the DACK* signal is unasserted.

TIMER (continued)

The TIMER is composed of two parts: a memory part and a counting part. The memory part is written to when the CPU writes to the TIMER and this value is retained. The counting part is loaded with the value of the memory part every time the TNT4882 asserts its DRQ signal and then counts up on the condition set by the TIMBYTN bit. Reading the TIMER returns the contents of the counting part.

Chapter 4

TNT4882 Programming Considerations

This chapter explains important TNT4882 programming considerations.

This chapter, except where explicitly noted, assumes that the TNT4882 uses one-chip mode architecture and that the reader is familiar with the GPIB. For more information about GPIB, read Appendix C, *Introduction to the GPIB*.

Chip Initialization

A typical programming initialization sequence for the TNT4882 might include the following steps:

1. Reset the Turbo488 circuitry of the TNT4882.
2. Place the TNT4882 in Turbo+7210 mode. The TNT4882 must be in Turbo+7210 mode before you can perform step 3.
3. Configure the TNT4882 for one-chip mode.
4. Make sure that the local Power-On (pon) message is asserted.
5. Configure the TNT4882 for GPIB operation.
6. Clear the local pon message to begin GPIB operation.

1. Reset the Turbo488 Circuitry of the TNT4882

Write the SOFT RESET command (22 hex) to the Command Register (CMDR).

2. Place the TNT4882 in Turbo+7210 Mode

Complete the following steps to place the TNT4882 in Turbo+7210 mode:

1. Write 80 (hex) to offset 6.
2. Write 80 (hex) to offset A (hex).
3. Write 99 (hex) to offset 6.
4. Write 99 (hex) to offset A (hex).

You must use this code only if there is a possibility that the TNT4882 is in Turbo+9914 mode (with the SWAP bit set or clear). If the program knows (by some other means) that the TNT4882 is already in Turbo+7210 mode, you can omit this code. See Chapter 2, *TNT4882 Architectures*.

3. Configure the TNT4882 for One-Chip Mode

Set the One Chip (ONEC) bit by writing a 1 to the Handshake Select Register (HSSEL).

4. Make Sure that the Local Power-On Message is Asserted

Write the chip reset auxiliary command (2 hex) to the Auxiliary Mode Register (AUXMR) in order to assert the local pon message. When pon is asserted, the chip is logically disconnected from the GPIB and the GPIB interface functions of the TNT4882 are idle and ignore GPIB signals.

5. Configure the TNT4882 for GPIB Operation

A. Set the GPIB Address(es)

Write to the Address Mode Register (ADMR) to configure the GPIB addressing mode of the TNT4882. In most applications, you write 31 (hex) to the ADMR to set dual primary addressing mode.

Load the primary GPIB address of the TNT4882 into internal Address Register 0 (ADR0) by writing to the Address Register (ADR) at offset C. For example, if the GPIB address of the TNT4882 is 6, you write 6 to the ADR.

If the TNT4882 has no secondary address, disable internal Address Register 1 (ADR1) by writing E0 hex to the ADR. See the *GPIB Addressing* section, which is located later in this chapter.

B. Write the Initial Serial Poll Response

Write the initial serial poll response byte to the Serial Poll Mode Register (SPMR). See the *Requesting Service* and *Responding to Serial Polls* sections, which are located later in this chapter.

C. Configure the Initial Parallel Response

If you are using local configuration, load the Parallel Poll response configuration into the Parallel Poll Register (PPR). If you are using remote configuration, clear the PPR. See the *Responding to Parallel Polls* section, which is located later in this chapter.

D. Enable Interrupts

Clear or set the desired Interrupt Enable bits in Interrupt Mask Register 0 (IMR0), Interrupt Mask Register 1 (IMR1), Interrupt Mask Register 2 (IMR2), and Interrupt Mask Register 3 (IMR3).

If you are using the ISA pin configuration, you must set or clear the INTEN bit in the INTR register in order to enable or disable ISA interrupts. See the *Hardware Interrupts* section, which is located later in this chapter.

E. Set the GPIB Handshake Parameters

Set Deglitching bit A (DGA) and Deglitching bit B (DGB) in the High-Speed Enable Register (HIER) in order to select the deglitching circuit for the TNT4882.

6. Clear the Local Power-On Message to Begin GPIB Operation

Write the pon auxiliary command (0 hex) to the AUXMR.

GPIB Talker or Listener Considerations

GPIB Addressing

Logical and Physical Devices

The TNT4882 is one physical GPIB device. The internal IEEE 488.1 transceiver places a single physical device load on the GPIB. The IEEE 488.1 standard specifies that a GPIB system contain no more than 15 physical devices.

A single physical GPIB device can implement more than one logical GPIB device. Each logical device must have a unique GPIB address. The TNT4882 can implement any number of logical GPIB devices.

Normal and Extended Addressing

Logical GPIB devices use either normal or extended addressing. With normal addressing, a GPIB device has a single address; valid addresses are 0 through 30 (decimal), inclusive. To address a device to become a Talker or Listener, a Controller sends the talk or listen address of the device. If a device's address is 6, for example, a Controller sends the My Talk Address 6 (MTA6) message to address that device to become a Talker.

With extended addressing, a GPIB device has two addresses: a primary address and a secondary address. Valid primary addresses are 0 through 30 (decimal), inclusive; valid secondary addresses are also 0 through 30 (decimal), inclusive. With extended addressing, 961 (decimal) unique GPIB addresses exist. To address a device to become a Talker or Listener, a Controller sends the primary talk or listen address of the device, then the Controller sends the secondary address of the device.

Implementing One Logical Device: Normal Addressing

The TNT4882 can implement one logical device that uses normal addressing. The TNT4882 can become an addressed Listener or Talker without the intervention of the host interface. The TA bit in ADSR sets when the TNT4882 is an addressed Talker, and the Listener Active (LA) bit in ADSR sets when the TNT4882 is an addressed Listener.

Complete the following steps to implement one logical device that uses normal addressing:

1. Choose the normal dual addressing mode by writing a 31 (hex) to the ADMR.
2. Write the logical address to ADR0.
3. Disable ADR1 by setting the Disable Talker (DT) and Disable Listener (DL) bits in ADR1 (that is, write a hex E0 to offset hex C). Notice that ADR1 and ADR0 both appear at offset C.

Implementing One Logical Device: Extended Addressing

The TNT4882 can implement one logical device that uses extended addressing. The TNT4882 can become an addressed Listener or Talker without the intervention of the host interface. When the Controller sends the primary talk or listen address of the TNT4882, the Talker Primary Addressed State (TPAS) bit or the Listener Primary Addressed State (LPAS) bit in the ADSR sets. When the Controller sends the secondary address of the TNT4882, the TA bit and the LA bit in the ADSR set.

Complete the following steps to implement one logical device that uses extended addressing:

1. Choose the extended single addressing mode by writing a 32 (hex) to the ADMR.
2. Write the primary and secondary addresses to ADR0 and ADR1, respectively. Notice that ADR1 and ADR0 both appear at offset C.

Implementing Two Logical Devices: Normal Addressing

The TNT4882 can implement two logical devices that use normal addressing. The TNT4882 can become an addressed Listener or Talker for either of these devices without the intervention of the host interface. The TA bit in ADSR sets when the TNT4882 is an

addressed Talker, and the LA bit in ADSR sets when the TNT4882 is an addressed Listener. The Major-Minor (MJMN) bit in ADSR indicates which of the two devices is addressed.

This mode requires one logical address for each device: the major device address and the minor device address. *Major* and *minor* distinguish between the two devices and do not denote the priority of one device over the other.

Complete the following steps to implement two logical devices that use normal addressing:

1. Choose the normal dual addressing mode by writing a 31 (hex) to the ADMR.
2. Write the major address to ADR0 and write the minor address to ADR1. Notice that ADR1 and ADR0 both appear at offset C.

Implementing Two Logical Devices: Extended Addressing

The TNT4882 can implement two logical devices that use extended addressing. The TNT4882 can become an addressed Talker or Listener only after the Controller sends the primary and secondary addresses of one of the two logical devices. The two logical devices are the major logical device and the minor logical device.

This mode requires intervention from the host interface. Complete the following steps to implement two logical devices that use extended addressing:

1. Choose the extended dual addressing mode by writing a 33 (hex) to the ADMR.
2. Write the primary address of the major device to the ADR0 and write the primary address of the minor device to the ADR1. The host interface stores the secondary addresses of the TNT4882 external to the TNT4882, then the following sequence of events occurs:
 - The Controller sends the primary talk or listen address of the TNT4882 to the GPIB.
 - The TNT4882 enters the TPAS or LPAS state. The MJMN bit sets or clears to indicate the reception of the minor or major primary address.
 - The Controller sends a secondary address to the GPIB.
 - The Address Pass Through (APT) bit sets (see ISR1).
 - The TNT4882 performs a Data Accepted (DAC) holdoff.
 - The host interface reads the Command Pass Through Register (CPTR) to determine whether the Controller sent the secondary address of the TNT4882.

- If the host interface determines that the Controller sent the secondary address of the TNT4882, it issues the Valid auxiliary command, and the TNT4882 becomes addressed.
- If the host interface determines that the Controller sent the secondary address of another device, it issues the Nonvalid auxiliary command.

Implementing Three or More Logical Devices: Normal Addressing

The TNT4882 can implement three or more logical devices that use normal addressing. This mode requires intervention from the host interface. Refer to the Talker function in the IEEE 488.1 standard.

Complete the following steps to implement three logical devices that use normal addressing:

1. Choose the no-addressing mode by writing a 30 (hex) to the ADMR. The host interface stores the addresses of the TNT4882 external to the TNT4882.
2. Set the following bits in Auxiliary Register F (AUXRF): DHATA and DHALA. The following sequence of events then occurs:
 - The Controller sends a talk or listen address to the GPIB.
 - The Command Pass Through (CPT) bit sets (see ISR1).
 - The TNT4882 performs a DAC holdoff.
3. Wait for the CPT bit to set. CPT sets when the Controller sends any talk or listen address over the GPIB.
4. Read the CPTR to determine whether the Controller sent one of the talk or listen addresses of the TNT4882.
5. If the CPTR matches one of the talk addresses of the TNT4882, the following sequence programs the TNT4882 to be the addressed Talker:
 - Write B0 to the ADMR.
 - Write 30 to the ADMR.

If the CPTR matches one of the listen addresses of the TNT4882, the following sequence programs the TNT4882 to be the addressed Listener:

- Write 70 to the ADMR.
- Write 30 to the ADMR.

6. Write the Valid auxiliary command to the AUXMR. The TNT4882 performs a DAC holdoff on the command byte the Controller sends. The Valid auxiliary command releases the DAC holdoff.

Implementing Three or More Logical Devices: Extended Addressing

The TNT4882 can implement three or more logical devices that use extended addressing. The required steps are similar to the steps for implementing three or more logical devices that use normal addressing. By using CPT and CPTR, the host interface monitors all commands. The host interface addresses and unaddresses the TNT4882 as needed. See the Extended Talker function in the IEEE 488.1 standard.

Complete the following steps to implement three or more logical devices that use extended addressing:

1. Choose the no-addressing mode by writing a 30 (hex) to the ADMR. The host interface stores the addresses of the TNT4882 external to the TNT4882.
2. Set the DHALL bit in AUXRF.

Programmed Implementation of a Talker and Listener

When no Controller is in the GPIB system, you can use the ton and lon address modes to activate the TNT4882 GPIB Talker and Listener functions. (Refer to the *Address Mode Register* section in Chapter 3, *TNT4882 Interface Registers*.) Set the ton or lon mode during TNT4882 initialization.

GPIB Data Transfers

A TNT4882 GPIB transfer operation proceeds in three principal phases: initialization, transfer, and termination.

Initialization

Complete the following steps to initiate a GPIB transfer operation:

1. Wait for the GPIB Controller to complete the necessary GPIB addressing. The TNT4882 must be addressed to be a Talker before a GPIB write operation can begin. The TNT4882 must be addressed to be a Listener before a GPIB read operation can begin.
2. Reset the FIFO A and FIFO B registers (FIFOs) by writing the Reset FIFO Command (RESET FIFO) to the CMDR.

3. Write the proper value to the Configuration Register (CFG) to establish the condition for the transfer. Set the TLCHLTE bit to enable the TNT4882 to HALT when an enabled ISR2, ISR1, or Interrupt Status Register 0 (ISR0) interrupt condition sets.

For GPIB reads, set the IN bit. For GPIB writes—that is, the TNT4882 is the Talker—clear the IN bit. Set the 16/8N bit to enable the TNT4882 to use both FIFOs. For GPIB writes, set CCEN to enable the TNT4882 to assert EOI on the last byte of the transfer.

4. Load the two's complement of the GPIB transfer count into the Count Registers (CNTs). For GPIB writes, the GPIB transfer count is the number of bytes that will be sent to the Listener. For GPIB reads, the GPIB transfer count is the maximum number of bytes that the TNT4882 expects to receive.
5. ISA pin configuration only: Enable DMA, if needed, by setting the Direct Memory Access Enable (DMAEN) bit in the Accessory Write Register (ACCWR).

In most ISA systems, you should limit the time DRQ may remain asserted. Set the TMOE and TIM bits in the CFG register to enable a time limit on the assertion of DRQ. Write to the TIMER (offset IE hex) to set the time limit.

6. Enable the desired interrupt bits in IMR0, IMR1, and IMR2. For GPIB writes, set the Error Interrupt Enable (ERR IE) bit in IMR1 to detect no Listener errors. For GPIB reads, set the End Received Interrupt Enable (END IE) bit to detect whether the Talker has sent an END byte before the TNT4882 has expected. Write 0 to the DMA Output Enable (DMAO) bit and the DMA Input Enable (DMAI) bit of IMR2 and set the Timeout Interrupt Enable (TO IE) bit in IMR0, if desired.
7. Send the GO command by writing 04 hex to the CMDR.
8. Enable the appropriate interrupts in IMR3, if you are using interrupts. Set the GPIB Transfer Status Interrupt Enable (DONE IE) bit to interrupt on the normal completion of a GPIB transfer. Set the TLCINT IE bit to enable interrupts from ISR0, ISR1, or ISR2. For GPIB writes, set the Not Full FIFO Interrupt Enable (NFF IE) bit; for GPIB reads, set the Not Empty FIFO Interrupt Enable (NEF IE) bit.
9. ISA pin configuration only: Enable hardware interrupts by setting the INTEN bit in the INTR register.

Conducting the Transfer

When the transfer has been initialized, data must then be transferred between the system memory and the GPIB. You must coordinate the data transfer between the system memory and the FIFOs of the TNT4882; the TNT4882 manages transfers between the FIFOs and the GPIB. You can transfer data between the system memory and the FIFOs in two ways: programmed I/O and DMA.

Programmed I/O

You can conduct programmed I/O with polled status checking or interrupt-driven status reporting. Use the algorithm shown in Figure 4-1.

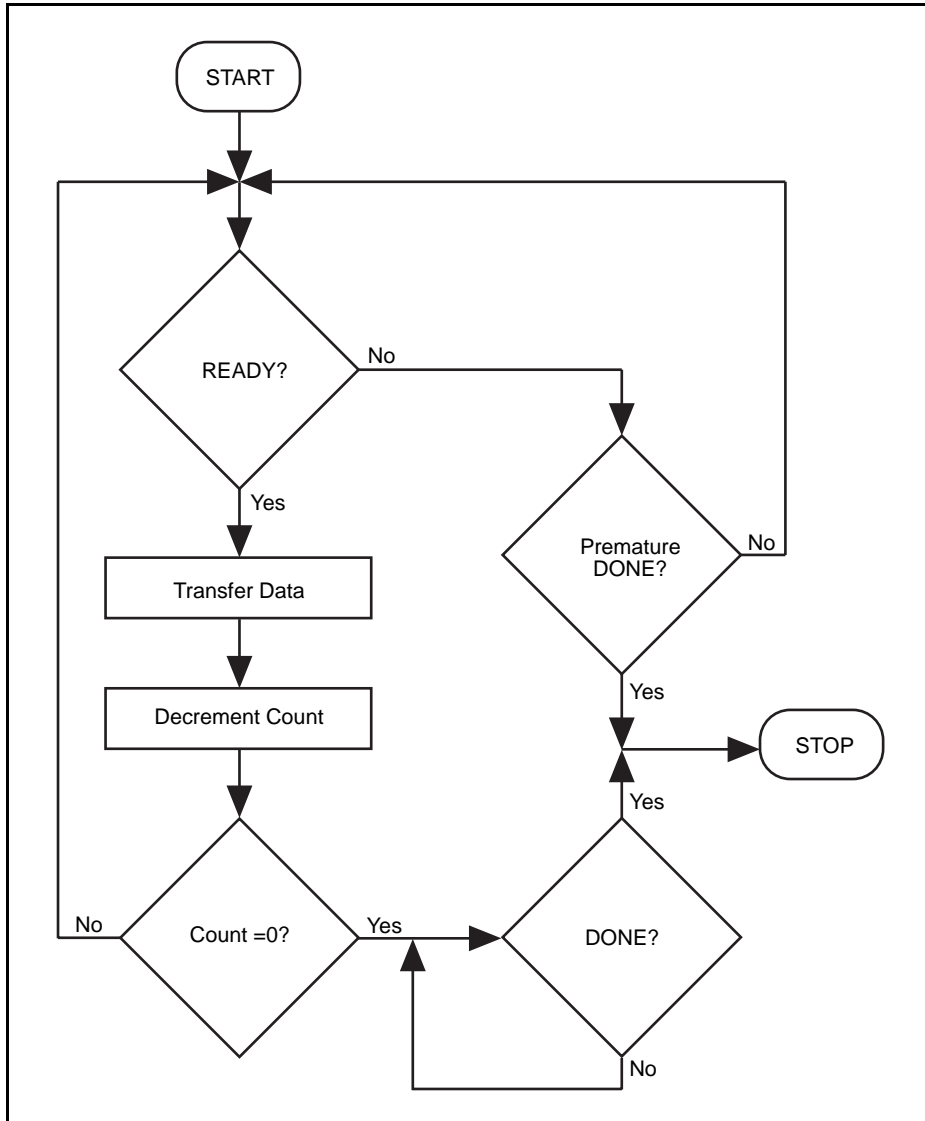


Figure 4-1. Flow Chart of Polled GPIB Transfers

START

The *Start* block of Figure 4-1 refers to initializing the GPIB transfer as described above.

READY?

To implement the *READY?* block of Figure 4-1, read ISR3. During GPIB writes (the TNT4882 is the Talker), the TNT4882 is READY if the Not Full FIFO (NFF) bit is set; during GPIB reads, the TNT4882 is READY if the Not Empty FIFO (NEF) bit is set.

Transfer Data

The CPU transfers data between the system memory and the FIFOs of the TNT4882.

Decrement Count

GPIB transfer count refers to the number of bytes that must still be transferred between the FIFOs of the TNT4882 and the GPIB before the transfer can complete. *CPU transfer count* refers to the number of bytes that must still be transferred between the system memory and the FIFOs of the TNT4882 before the transfer can complete. The TNT4882 manages the GPIB transfer count. The host interface manages the CPU transfer count.

After it has transferred data between the system memory and the FIFOs of the TNT4882, the host interface should decrement the CPU transfer count.

Count = 0?

If the CPU transfer count becomes zero, the host interface should begin polling for the DONE condition.

DONE?

For GPIB reads, the host interface may consider the transfer DONE when the CPU transfer count becomes zero. The DONE bit sets if the GPIB transfer count has expired, the FIFOs are empty, and the Talking device has unasserted the GPIB DAV signal.

For GPIB writes, the TNT4882 sets the DONE bit if the transfer count has expired and the Listening GPIB devices have accepted the last byte of the transfer.

Premature DONE?

The TNT4882 aborts the GPIB transfer before the GPIB transfer count expires if any enabled interrupt condition in IMR0, IMR1, or IMR2 becomes true (that is, the TLCINT signal asserts).

For GPIB reads, the END interrupt usually causes TLCINT to assert. In this case, the host interface should continue reading bytes from the FIFOs of the TNT4882 until the FIFOs are empty. The DONE bit sets when the FIFOs are empty even if the GPIB transfer count has not expired.

For GPIB writes, the ERR interrupt usually causes TLCINT to assert. The ERR interrupt indicates that there are no GPIB Listeners to accept bytes. In this case, the host interface should terminate the transfer as described in the *Termination* section in this chapter.

Other common causes of TLCINT include the TO (timeout) and DCAS (device clear) conditions.

STOP

Terminate the transfer as described in the *Termination* section in this chapter.

Interrupt-Driven Status Reporting

You can conduct data transfers between the FIFOs and the system memory on an interrupt basis. By setting the NFF IE bit in IMR3 for GPIB writes or commands or by setting the NEF IE bit in IMR3 for GPIB reads, you cause the TNT4882 to generate a hardware interrupt when it is ready for a data transfer. The interrupt service routine should conduct the required data transfer. The main program can determine whether the transfer is complete by polling the DONE bit in ISR3 or by setting the DONE IE bit in IMR3 and thus forcing the DONE condition to cause an interrupt. The main program can also poll or interrupt on the TLCINT signal, if desired.

DMA

For GPIB reads, the TNT4882 asserts its DMA Request Pin (DRQ) when a word (or byte) is available in the FIFOs to be read out. The TNT4882 keeps the DRQ signal asserted until either the FIFOs are emptied by an external DMA Controller or a condition setup for the DRQ Timer Register is met.

For GPIB writes, the TNT4882 asserts its DRQ signal when room is available in the FIFOs for more data. The TNT4882 keeps the DRQ asserted until either the FIFOs are full or a condition setup for the DRQ Timer Register is met.

Termination

A GPIB transfer can terminate for one of these three reasons: terminal count, the TLCINT signal, and software abort.

Terminal Count

The counters of the TNT4882 increment once for every byte that is transferred between the GPIB and the FIFOs of the TNT4882. The STOP bit sets when the TNT4882 transfers the last byte. The DONE bit sets when the STOP bit is set and the Listeners on the GPIB have accepted the last byte that was transferred. For reads from the GPIB, the DONE bit cannot set unless the FIFOs are empty.

For GPIB writes, the TNT4882 finishes sourcing the current data byte, but sends no new data bytes across the GPIB. The DONE bit sets when the GPIB synchronizes.

For GPIB reads, the TNT4882 performs a Ready For Data (RFD) holdoff. The DONE bit sets when the FIFOs are empty and the GPIB synchronizes.

TLCINT Signal

The TLCINT signal asserts if any enabled interrupt in ISR0, ISR1, or ISR2 is asserting. If the TLCHLTE bit in the CFG is set, the TLCINT signal terminates the GPIB transfer. If the transfer terminates in this manner, the Turbo488 Transfer State Machine Halted (HALT) bit in the STS1 register is set.

Software Abort

You can stop a GPIB transfer by sending the STOP command (that is, by writing a 08 hex to the CMDR). This action sets the STOP and HALT bits.

Post Termination

When a GPIB transfer has terminated, you should complete the following steps:

1. Send the STOP command by writing a 08 hex to the CMDR.
2. Stop the timer by writing to the AUXRJ, if you use the TNT4882 timer. This action prevents undesired timeout interrupts.
3. Disable the external DMA Controller, if the transfer used DMA.
4. Read the CNTs to determine the number of bytes that have been transferred across the GPIB.

5. Read the ISR3 to determine if TLCINT is asserted. If TLCINT = 1, read ISRO, ISR1, and ISR2 to determine why the transfer terminated.
6. Clear the desired Interrupt Enable bits and interrupting conditions.

Device Status Reporting

Requesting Service

Asserting the SRQ signal

The TNT4882 requests service from the GPIB CIC by asserting the GPIB SRQ signal. However, the host interface cannot directly control the SRQ signal; the rsv signal determines when the TNT4882 asserts SRQ.

After rsv asserts, the TNT4882 asserts the SRQ signal. When the CIC serial polls the TNT4882, the TNT4882 unasserts SRQ. The TNT4882 does not assert SRQ again until rsv unasserts and then reasserts. See the SR1 Function in the IEEE 488.1 standard.

IEEE 488.2 Service Requesting

To request service, issue the reqt auxiliary command, then write the status byte (STB) to the SPMR.

Note: *If STBO IE = 1 after issuing reqt, do not write to the SPMR until the STBO interrupt condition becomes true.*

When you write to the SPMR, write 0 to bit 6 (the rsv bit). The TNT4882 asserts and unasserts the rsv signal according to the set rsv state machine that is described in the IEEE 488.2 standard.

After the CIC serial polls the TNT4882, you must issue the reqt auxiliary command and write to the SPMR again to request service. If you want to stop requesting service before a serial poll occurs, issue the reqf auxiliary command.

7210-Style Service Requesting

Most applications should use the IEEE 488.2 service requesting method described in the preceding section. However, the TNT4882 also supports the 7210 style of requesting service. To request service, check the PEND bit of the SPSR to make sure that the TNT4882 is not currently responding to a serial poll. If PEND = 0, write the desired STB to the SPMR. When you write to the SPMR, set bit 6, the rsv bit. This write causes the PEND bit to set and the TNT4882 to assert the GPIB SRQ line. The PEND bit remains set until the serial poll completes.

Responding to Serial Polls

If STBO IE = 0 when the CIC serial polls the TNT4882, the TNT4882 sends the STB to the CIC without the host interface intervening.

If the contents of the STB are likely to change between the time you issue reqt and the time the CIC serial polls the TNT4882, you can use the STBO IE bit. When STBO IE = 1, the TNT4882 does not respond to a serial poll immediately. Instead, when the CIC serial polls the TNT4882, the TNT4882 generates an interrupt. In response to this interrupt, the host interface writes the STB to the SPMR (write 0 to bit 6). The TNT4882 responds to the serial poll by sending the STB to the CIC.

When the TNT4882 sends the STB to the CIC, the TNT4882 asserts the GPIB DIO7 signal if the TNT4882 is requesting service. The CIC normally reads the STB once, but if the CIC asserts ATN between each 1-byte read, it can read the STB any number of times. The TNT4882 asserts the GPIB DIO7 signal, however, only during the first read. After the first read, rsv clears. PEND clears when the CIC asserts ATN to terminate the serial poll.

The TNT4882 asserts the GPIB EOI line during a serial poll if the SPEOI bit of AUXRB is set.

Responding to Parallel Polls

The ist Message

When it responds to a Parallel Poll, the TNT4882 can transmit only one bit of information to the CIC. This one bit contains the status of the ist message. If the Individual Status Select (ISS) bit in AUXRB is one, ist is true if the TNT4882 is asserting the SRQ signal—that is, the IEEE 488.1 Service Request function of the TNT4882 is in the SRQS state.

If ISS = 0, you set and clear the ist message by using the ist and ~ist auxiliary commands. If ISS = 0, the meaning of the ist message is device dependent.

Remote Configuration

Before the CIC can poll the TNT4882, the TNT4882 must first be configured to respond to parallel polls. The host interface can locally configure the TNT4882 (IEEE 488.1 capability code PP1) or the TNT4882 can let the CIC remotely configure the TNT4882 (IEEE 488.1 capability code PP2).

To let the CIC remotely configure the TNT4882, clear the PP2 bit in AUXRI. Do not write to the PPR. The CIC configures the TNT4882 without software intervention, and it enables or disables the TNT4882 to respond to parallel polls. The CIC configures the polarity of the response of the TNT4882, and it also selects the GPIB data line that the TNT4882 uses to respond to parallel polls.

Local Configuration

To implement local configuration, first disable remote configuration by setting the PP2 in AUXRI. Write to the PPR to configure the parallel poll response. The bits in the PPR determine which GPIB data line the TNT4882 uses to respond to parallel polls. The PPR also determines the polarity of the parallel poll response.

Disabling the Parallel Poll Response

To completely disable the TNT4882 from responding to parallel polls (IEEE 488.1 capability code PP0), set the PP2 bit in AUXRI and set the U bit in the PPR.

Acceptor Handshake Holdoffs in One-Chip Mode

The GPIB rdy Message and RFD Holdoffs

When it is a Listener, the TNT4882 must let the Talker know whether the TNT4882 is ready to receive another data byte. The TNT4882 unasserts the GPIB Not Ready For Data (NRFD) signal to indicate that it is ready to receive another byte (see Figure C-5, *Three-Wire Handshake Process*, in Appendix C, *Introduction to the GPIB*). The TNT4882 generates the Ready For Next (rdy) message internally. When rdy = 1, the TNT4882 is ready to receive a data byte. When rdy = 0, the TNT4882 is not ready to receive a data byte and it asserts the GPIB NRFD signal. When the TNT4882 asserts the GPIB NRFD signal to prevent the transmission of a data byte, the TNT4882 is performing a *Ready For Data (RFD) holdoff*.

The TNT4882 performs RFD holdoffs only on data bytes—that is, bytes sent with ATN unasserted. The TNT4882 can holdoff command bytes by using DAC holdoffs.

Generating the rdy Message

The local rdy message becomes true if ATN is asserted or if the following four conditions are true:

1. The HALT bit is not set (or the TNT4882 is in Turbo+7210 mode).
2. The FIFOs are not full (or the TNT4882 is in Turbo+7210 mode).
3. The TNT4882 is not performing an immediate RFD holdoff.
4. The TNT4882 is not performing a data byte RFD holdoff.

Immediate RFD Holdoff

Write the Holdoff Handshake Immediately (hldi) auxiliary command to the AUXMR in order to start an immediate RFD holdoff. You can clear the immediate RFD holdoff by

writing the Release RFD Holdoff (rhdf) or chip reset auxiliary command to the AUXMR. The pon message does not clear an immediate RFD holdoff condition, so the host interface can issue hldi while pon is set and the TNT4882 is being configured.

Read the Acceptor Not Ready Holdoff Immediately (ANHS2) bit (SASR[4]) to determine the state of the Immediate Holdoff function.

Data Byte RFD Holdoffs

Four Data-Receiving Modes

The data byte RFD holdoff condition is set and cleared depending on the data-receiving mode. When the TNT4882 is a Listener, it receives data in one of three possible modes; only one data-receiving mode is active at a time. The value of the AUXRA[1-0] bits determines the data-receiving mode.

Normal Mode In one-chip mode, the TNT4882 never performs a data byte RFD holdoff in normal mode. In Turbo+7210 mode, the TNT4882 performs a data byte holdoff after every byte it accepts. In Turbo+7210 mode, the TNT4882 releases the holdoff when the DIR is read.

RFD Holdoff On All Data (hlda) Mode In hlda mode, the TNT4882 performs a data byte RFD holdoff whenever it receives a data byte. After it receives a data byte, the TNT4882 cannot receive another byte until the data byte RFD holdoff condition is cleared. You clear the RFD holdoff condition in hlda mode by writing the rhdf auxiliary command to the AUXMR.

RFD Holdoff On END (hlde) Mode In hlde mode, the TNT4882 performs a data byte RFD holdoff if the last data byte that it received satisfies the END condition. The END condition is defined by

END = EOI + (REOS & EOS) + (NLEN & newline).

You clear the RFD holdoff condition in hlde mode by writing the rhdf auxiliary command to the AUXMR.

In Turbo+7210 mode, if the TNT4882 receives a data byte that does not satisfy the END condition, the TNT4882 performs a holdoff similar to normal mode. Reading DIR clears the holdoff.

DAC Holdoffs

When a DAC holdoff condition is true, the TNT4882 is interpreting but has not yet accepted a command byte that was sent by the Controller. A DAC holdoff forces the Controller to keep the command byte valid on the GPIB and the GPIB Data Valid (DAV) signal asserted (see Figure C-5). By using DAC holdoffs, a control program can make

sure that no other commands are sent until the current command has been completely processed. Once it responds to the command byte, the host interface releases the DAC holdoff by writing the Valid or Nonvalid auxiliary command to the AUXMR.

In most applications, you do not need to use DAC holdoffs: the TNT4882 interprets command bytes automatically. The TNT4882 sets various interrupt bits when it receives certain command bytes.

DAC holdoffs can only occur on GPIB command bytes (ATN asserted). Data bytes (ATN unasserted) can be held off with RFD holdoffs, which are described in *The GPIB rdy Message and RFD Holdoffs* section, which is located earlier in this chapter.

Determining When DAC Holdoffs Occur

The TNT4882 can be configured to perform DAC holdoffs on many different types of command bytes. The SDHS signal determines which command bytes will cause a DAC holdoff. SDHS is defined by the following:

$$\begin{aligned} \text{SDHS} &= [\text{UCG} + \text{ACG} \& (\text{TADS} + \text{LADS})] \& \text{undefined} \& \text{CPT ENAB} \\ &+ \text{UDPCF} \& \text{SCG} \& \text{CPT ENAB} \\ &+ \text{DHADT} \& \text{GET} \\ &+ \text{DHADC} \& (\text{SDC} + \text{DCL}) \\ &+ \text{DHATA} \& \text{TAG} \& \sim\text{UNT} \\ &+ \text{DHALA} \& \text{LAG} \& \sim\text{UNL} \\ &+ \text{DHUNT L} \& (\text{UNT} + \text{UNL}) \\ &+ \text{DHALL} \& (\text{UCG} + \text{ACG} + \text{SCG}) \\ &+ \text{DHDC} \& (\text{DCL} + \text{SDC} \& \text{LADS}) \\ &+ \text{DHDT} \& \text{GET} \\ &+ \text{SCG} \& (\text{TPAS} + \text{LPAS}) \& (\text{dual extended address mode}) \end{aligned}$$

By issuing the Valid or Nonvalid auxiliary command, you clear the Acceptor Data Holdoff State (ADHS). By clearing ADHS, you clear the DAC holdoff.

Read the ADHS bit (SASR[3]) to determine the state of the DAC holdoff condition.

Hardware Interrupts

The INTR Pin

The behavior of the INTR pin depends on the pin configuration of the TNT4882. In the generic pin configuration, the TNT4882_INT signal directly drives the INTR pin. In the ISA pin configuration, the TNT4882_INT signal directly drives the INTR pin if the INTEN bit in the INTR register is set. If INTEN = 0, the INTR pin is tristated. See Figure 4-2.

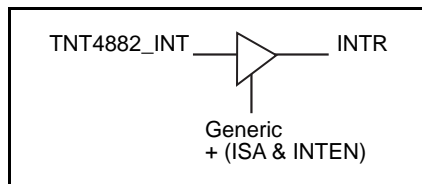


Figure 4-2. The TNT4882 INTR Pin

The TNT4882_INT Signal

IMR3 and ISR3 generate the TNT4882_INT signal, which is defined as follows:

$$\begin{aligned} \text{TNT4882_INT} = & \text{DONE IE \& DONE} \\ & + \text{TLCINT IE \& TLCINT} \\ & + \text{NEF IE \& NEF} \\ & + \text{NFF IE \& NFF} \\ & + \text{STOP IE \& STOP} \\ & + \text{INTSRC2 IE \& INTSRC2} \end{aligned}$$

The interrupting conditions in ISR3 are level sensitive. If the interrupting condition becomes false, the interrupt unasserts without intervention from the host interface.

The TLCINT Signal

IMR0/ISR0, IMR1/ISR1, and IMR2/ISR2 generate the TLCINT signal. TLCINT is defined as the following:

$$\begin{aligned} \text{TLCINT} = & [(\text{CPT \& CPT IE}) + (\text{APT \& APT IE}) \\ & + (\text{DET \& DET IE}) + (\text{ERR \& ERR IE}) \\ & + (\text{END RX \& END IE}) + (\text{DEC \& DEC IE}) \\ & + (\text{DO \& DO IE}) + (\text{DI \& DI IE}) \\ & + (\text{REMC \& REMC IE}) \\ & + (\text{LOKC \& LOKC IE}) \\ & + (\text{ADSC \& ADSC IE}) + (\text{STBO IE \& STBO}) \\ & + (\text{IFCI IE \& IFCI}) + (\text{ATNI IE \& ATNI}) \\ & + (\text{TO IE \& TO}) + (\text{SYNC IE \& SYNC})] \end{aligned}$$

The interrupting conditions in ISR0, ISR1, and ISR2 are edge sensitive. After the TNT4882 asserts the TLCINT signal, it remains asserted until the host interface clears the bit that is causing the interrupt condition.

The register bit descriptions in Chapter 3, *TNT4882 Interface Registers*, describe how to clear a bit in ISR0, ISR1, or ISR2. In general, if SISB = 0 (see the *Auxiliary Register I* section in Chapter 3), you clear the interrupt bits of ISR0, ISR1, or ISR2 by reading ISR0, ISR1, or ISR2. If SISB = 1, certain actions clear each interrupt bit individually.

Using the Timer

The Timer

The TNT4882 contains a timer that can generate interrupts or terminate GPIB subroutine calls that may not return. The host interface controls and monitors the timer by using the AUXRJ and the BTO and Timeout (TO) bits in IMR0 and ISR0. The timer starts when you write a nonzero value to the AUXRJ. Refer to the *Auxiliary Register J (AUXRJ)* section in Chapter 3, *TNT4882 Interface Registers*, for more information on programming the timeout values.

The timer operates in global mode or byte mode.

Global Timeouts

If BTO = 0, the timer operates in global mode. Once the timer starts, it continues to count until it reaches the timeout value. When the timer reaches the timeout value, it sets the TO bit in ISR0. You clear TO by writing to the AUXRJ. TO can generate an interrupt if the TO IE bit is set in IMR0.

Byte Timeouts

If BTO = 1, the timer operates in byte mode. If the timer reaches its timeout value, it sets the TO bit in ISR0. The timer clears when the TNT4882 transfers data between its own FIFOs and the GPIB. Thus, TO does not set unless the time between two GPIB transfers exceeds the timeout value. TO can generate an interrupt if the TO IE bit is set in IMR0. When TO sets, it clears only if the host interface writes a value to the AUXRJ.

Remote/Local State Considerations

The TNT4882 implements the GPIB Remote/Local (RL1) function as described by the IEEE 488.1 standard. The host interface determines the state of the RL1 function by reading the Lockout (LOK) bit and the Remote (REM) bit in ISR2. The Lockout Change (LOK) bit and the Remote Change (REMC) bit can be used to interrupt the host interface when the state of the RL1 function changes.

If the TNT4882 is not in a Lockout state (that is, LOK = 0), the host interface can force the TNT4882 to enter a Local state (REM = 0) by writing one of the Return To Local (rtl) auxiliary commands to the AUXMR.

See the IEEE 488.1 and IEEE 488.2 standard for device requirements that depend on the RL1 function.

Device Triggering

The Device Execute Trigger (DET) bit in ISR1 detects when the GPIB Controller sends the Group Execute Trigger (GET) command to the TNT4882. As the IEEE 488.1 standard Device Trigger function requires, the DET bit sets only when the TNT4882 is a GPIB Listener. If the DHDT bit (AUXRE[1]) is set, the TNT4882 performs a DAC holdoff when the DET bit sets.

If the DHADT bit (AUXRE[3]) is set, the TNT4882 performs a DAC holdoff when the TNT4882 receives the GET command (whether or not the TNT4882 is a GPIB Listener).

The DET bit can cause an interrupt if the DET IE bit in IMR1 is set. DHADT and DHDT can cause an interrupt if the CPT IE bit (IMR1) is set.

Device Clearing

As the IEEE 488.1 standard requires, the TNT4882 enters the Device Clear Active State (DCAS) when the GPIB Controller sends the Device Clear (DCL) command or when the TNT4882 is a GPIB Listener and the Controller sent the Selected Device Clear (SDC) command. The Device Clear (DEC) bit in ISR1 detects when the TNT4882 enters DCAS. If the DHDC bit (AUXRE[0]) is set, the TNT4882 performs a DAC holdoff when the DEC bit sets.

If the DHADC bit (AUXRE[2]) is set, the TNT4882 performs a DAC holdoff when the TNT4882 receives the DCL or SDC command (whether or not the TNT4882 is a GPIB Listener).

DEC can cause an interrupt if the DEC IE bit in IMR1 is set. DHADC and DHDC can cause an interrupt if the CPT IE bit (IMR1) is set.

Using the KEY Pins

Writing a DS1204 Key

Bits in the Key Control Register (KCR) and Key Status Register (KSR) control the KEY pins of the TNT4882. Complete the following steps to write to a DS1204 security key:

1. Write a 0 to the KCR: this action asserts the Key Reset (KEYRST*) signal, which resets the key.
2. Write a 1 to the KCR: this action unasserts the KEYRST* signal.
3. For each bit to write to the KEY:
 - Write a 0000 11D1 (binary), where D is the data bit to write to the key. This write provides the necessary data setup time before clocking the data into the key.
 - Write a 0000 01D1 (binary), where D is the data bit to write to the key. The write clocks the data into the key.

Reading a DS1204 Key

Complete the following steps to read a data bit from the key:

1. Write a 1 to the KCR.
2. Write a 9 to KCR: this action clocks data out of the key.
3. Read the Key Data (KEYDQ) bit in the KSR.

Repeat these steps for each bit that you read.

Using the Key Pins as General Purpose I/O Pins

You can use the KEYDQ pin as a general-purpose, TTL, I/O pin. You can use the KEYRST and Key Clock (KEYCLK) pins as general-purpose, TTL, output-only pins.

T1 Delay Generation

The T1 Delay

When the TNT4882, as a GPIB Talker, transfers data bytes to GPIB Listeners, it drives the data byte on the GPIB DIO[8–1] signals. After waiting for a certain delay (known as

the T1 delay), the TNT4882 asserts DAV to indicate to the Listeners that the data byte has settled on the DIO[8–1] signals.

HSTS Definition

The length of the T1 delay depends on several factors. One factor is the internal HSTS signal of the TNT4882. HSTS clears when the GPIB Controller asserts the GPIB ATN signal. HSTS sets after the TNT4882, as a GPIB Talker, transfers a byte. Usually, the T1 delay is longer for the first data byte of a transfer (HSTS = 0). The T1 delay is shorter for the second byte of a transfer (and for subsequent bytes).

T1 Delay

The T1 delay is determined by the USTD bit (AUXRI[3]), the TRI bit (AUXRB[2]), the MSTD bit (KCR[5]), the PT1_ENA bit (PT1[5]), and the HSTS signal. Table 4-1 shows the T1 delay for various settings.

Table 4-1. T1 Delay Settings

HSTS	USTD	TRI	MSTD	PT1_ENA	T1 Delay (ns)
0	0	X	X	X	2000
0	1	X	X	X	1100
1	0	0	0	0	2000
1	1	0	0	0	1100
1	X	1	0	0	500
1	X	X	1	0	350
1	X	X	X	1	programmable *
* See PT1 register for more information.					

Chapter 5

Hardware Considerations: Generic Pin Configuration

The information in this chapter supplements the information contained in the *TNT4882 Single-Chip IEEE 488.2 Talker/Listener ASIC* data sheet.

CPU Interface Pins

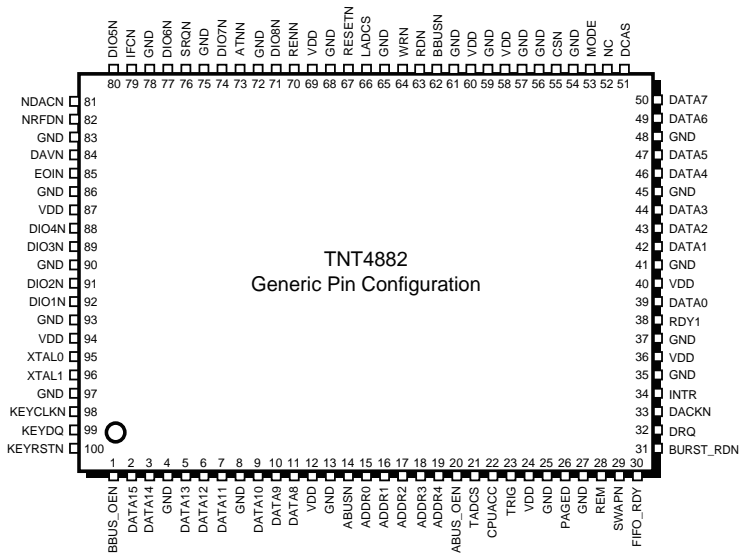


Figure 5-1. TNT4882 Generic Pin Configuration

Data Buses

8-Bit I/O Accesses

All registers in the TNT4882 can be accessed with 8-bit I/O accesses. 8-bit I/O accesses can use either data bus. The ADDR4–0 pins select one of the internal register offsets. If ABUSN is asserted and BBUSN is unasserted, the access occurs on Data Bus A. For writes, data should appear on Data Bus A. For reads, the TNT4882 places data on Data Bus A. Similarly, if BBUSN is asserted and ABUSN is unasserted, the access occurs on Data Bus B. See Table 5-1.

Table 5-1. Generic Pin Configuration Byte Lane Table (I/O Accesses)

ABUSN	BBUSN	ADDR4-0	D15-8	D7-0
0	1	11000	FIFO B	Not Used
1	0	11000	Not Used	FIFO B
0	0	11000	FIFO A	FIFO B
0	1	xxxxx*	Used	Not Used
1	0	xxxxx*	Not Used	Used
* Any offset except 11000 (binary)				

16-Bit I/O Accesses

The only allowed 16-bit, TNT4882 I/O accesses are reads and writes to offset 18 hex. Data Bus B accesses FIFO B and Data Bus A accesses FIFO A. During 16-bit I/O accesses, ABUSN and BBUSN must be asserted. See Table 5-1.

Notice that the TNT4882 uses the A/BN bit in the Configuration Register (CFG) to determine how to pack and unpack 16-bit words into 8-bit bytes. For example, consider the first word that the host interface writes to the TNT4882 for a GPIB write. If the A/BN bit is set, the TNT4882 sends the byte that was written to FIFO A (by using Data Bus A) to the GPIB before it sends the byte that was written to FIFO B.

8-Bit DMA Accesses

8-bit direct memory accesses (DMA) are supported only on Data Bus B. During 8-bit DMA accesses, Data Bus B accesses FIFO B. BBUSN must be asserted and ABUSN must be unasserted during 8-bit DMA accesses.

16-Bit DMA Accesses

During 16-bit DMA accesses, Data Bus B accesses FIFO B and Data Bus A accesses FIFO A. Both ABUSN and BBUSN must be asserted during 16-bit DMA accesses. Notice that the TNT4882 uses the A/BN bit in the CFG to determine how to pack and unpack 16-bit words into 8-bit bytes.

Data Bus Control Signals

ABUSN and BBUSN

ABUSN enables register accesses through Data Bus A. BBUSN enables register accesses through Data Bus B. ABUSN and BBUSN are normally asserted when the ADDR pins are asserted. In most systems, ABUSN and BBUSN are simple functions that combine the address bus and byte lane enable signals.

If your application does not require 16-bit accesses to the TNT4882, you may leave one of these signals (usually ABUSN) unconnected or tied to Vdd.

ABUS_OEN and BBUS_OEN

ABUS_OEN asserts when the TNT4882 drives Data Bus A during a read access. BBUS_OEN asserts when the TNT4882 drives Data Bus B during a read access. You can use ABUS_OEN and BBUS_OEN to enable external data transceivers. These signals are output only; you can leave them unconnected if you do not need them.

Register Select Pins

ADDR4–0 and CSN

The ADDR4–0 pins select one of the registers of the TNT4882 during I/O reads or writes. During DMA accesses, the TNT4882 ignores the ADDR4–0 pins.

CSN must be asserted during I/O accesses. If DACKN is asserted, the TNT4882 ignores CSN.

RDN and WRN

During write accesses, the TNT4882 latches data on the rising edge of WRN. The TNT4882 drives one or both of the data buses when RDN is asserted during read accesses.

CPUACC and RDY1

CPUACC indicates that the TNT4882 may require the host interface to lengthen the current I/O access. RDY1 indicates that the TNT4882 is ready for the host interface to complete the lengthened cycle if CPUACC is asserted. If CPUACC is not asserted, RDY1 indicates that the current I/O cycle does not need to be lengthened.

Three Types of 7210 (or 9914) Accesses

As described in Chapter 2, *TNT4882 Architectures*, the TNT4882 behaves as two separate chips in Turbo+7210 or Turbo+9914 mode. In Turbo+7210 or Turbo+9914 mode, the TNT4882 can make three different types of accesses to 7210 or 9914 address space:

1. The TNT4882 can transfer data between the FIFOs and the 7210 (or 9914) circuitry during data transfers.
2. The TNT4882 can write the contents of the Carry Cycle Register to the 7210 (or 9914) near the end of a data transfer.
3. The TNT4882 can access 7210 (or 9914) registers when the host interface selects a register in 7210 or 9914 address space. The TNT4882 considers the following hex offsets to be in 7210 or 9914 address space: 0, 2, 4, 6, 8, A, C, E, 11, 13, 15, 17, 1B, 1D, and 1F.

If the TNT4882 is executing an access of type 1 or 2 (as numbered above) when the host interface requests an access of type 3, the TNT4882 completes the type 1 or 2 access before it executes the type 3 access.

CPUACC and RDY1 Behavior

CPUACC asserts during any type-3 access in Turbo+7210 or Turbo+9914 mode. CPUACC does not assert during DMA accesses or in one-chip mode.

During type-3 I/O writes, RDY1 asserts when the TNT4882 has latched the data. The host interface can finish the cycle after RDY1 asserts. During type-3 I/O reads, RDY1 asserts when the TNT4882 drives the selected data bus with valid data.

All accesses must meet the access time requirements shown in the timing diagram. (See the following figures in the *TNT4882 Single-Chip IEEE 488.2 Talker/Listener ASIC* data sheet: Figure 8, *CPU Read*; Figure 9, *DMA Read*; Figure 10, *CPU Write*; and Figure 11, *DMA Write*.) RDY1 asserts during every TNT4882 access, including DMA accesses and one-chip mode accesses. If CPUACC is not asserted when RDY1 is asserted, RDY1 does *not* indicate that the current cycle has finished; RDY1 indicates only that the cycle does not need to be lengthened.

Recommendation

In summary, if CPUACC asserts, lengthen the current cycle until RDY1 asserts.

DRQ

DRQ asserts to request a DMA transfer cycle. The behavior of the DRQ pin depends on the IN bit in the CFG. For GPIB reads (IN = 1), DRQ asserts when the FIFOs contain a word (or byte, if the 16/8N bit is clear) for the host interface to read. For GPIB writes, DRQ asserts when there is room for the host interface to write a word (or byte) to the FIFOs.

Normally, DRQ remains asserted as long as accesses can be made to the FIFOs. You can use the TIMER register and the TMOE and TIM/BYTN bits of the CFG to limit the assertion time of the DRQ signal.

DRQ is an output-only pin. If the application does not require DMA, you can leave DRQ unconnected.

DACKN

The DACKN signal selects the FIFOs for access. If BBUSN and ABUSN are asserted, the TNT4882 performs a 16-bit access. If BBUSN is asserted but ABUSN is unasserted, the TNT4882 performs only an 8-bit access to FIFO B. The TNT4882 ignores the CSN pin when DACKN is asserted.

The DACKN pin is an active low input-only pin with an internal pull-up resistor. If the application does not require DMA, you can connect DACKN to Vdd or leave DACKN unconnected.

BURST_RDN

When BURST_RDN is asserted, the TNT4882 drives Data Bus A and Data Bus B with the next word to be read from the FIFOs. BURST_RDN does not remove data from the FIFOs; the host interface removes data from the FIFOs by using a normal DMA read access.

Using BURST_RDN does *not* increase the rate at which data can be read from the FIFOs. However, by using BURST_RDN, you can guarantee that the data bus is valid on the assertion edge of the RDN signal.

In many applications, you will not need BURST_RDN. You can connect BURST_RDN to Vdd or leave BURST_RDN unconnected.

Other CPU Interface Pins

FIFO_RDY

FIFO_RDY indicates that the FIFOs are ready for at least 8-word (or byte) accesses. In one-chip mode, FIFO_RDY drives both the INTSRC2 bit of ISR3 and the FIFO_RDY pin. See the *Interrupt Status Register 3 (ISR3)* section in Chapter 3, *TNT4882 Interface Registers*, for a complete description of the FIFO_RDY signal.

You can leave FIFO_RDY unconnected.

INTR

The INTR pin asserts when an enabled interrupt in ISR3 asserts. There is no minimum pulse width for the assertion of the INTR pin. INTR is active high. See the *Hardware Interrupts* section in Chapter 4, *TNT4882 Programming Considerations*.

PAGED

When the PAGED pin is asserted in one-chip mode or Turbo+7210 mode, the TNT4882 enters the Page-In state. When the Page-In state is true, several registers are mapped to different offsets. See *The Page-In State (One-Chip Mode/Turbo+7210 Mode)* section in Chapter 3, *TNT4882 Interface Registers*. The PAGE-IN pin has no effect in Turbo+9914 mode.

In almost every application, the PAGED pin should be connected to ground (GND).

Mode Pins

MODE

The MODE pin determines whether the TNT4882 enters Turbo+7210 mode or Turbo+9914 mode after a hardware reset. See the *Architecture After a Hardware Reset* section in Chapter 2, *TNT4882 Architectures*.

SWAPN

The TNT4882 samples the SWAPN pin during a hardware reset. The TNT4882 sets the SWAP bit if SWAPN is asserted during a hardware reset. See *The SWAP Bit* section in Chapter 3, *TNT4882 Interface Registers*.

MODE and SWAPN Pin Recommendations

If your application uses Turbo+9914 mode, connect MODE and SWAPN to GND. If your application uses one-chip mode or Turbo+7210 mode, either connect MODE and SWAPN to Vdd or leave MODE and SWAPN unconnected.

RESETN

Asserting the RESETN signal resets the hardware of the TNT4882. The TNT4882 samples the MODE and SWAPN pins while RESETN is asserted.

GPIB Device Status Pins

The TNT4882 has five device status pins: Talker Addressed Signal (TADCS), Listener Addressed Signal (LADCS), Trigger Signal (TRIG), Device Clear (DCAS), and Remote Signal (REM). These pins reflect the status of some IEEE 488.1 functions.

All the device status pins are output-only pins. These pins can drive LEDs or other status indicators. If the application hardware does not have a use for a status pin, you can leave it unconnected.

TADCS—Talker Addressed Signal

The TADCS pin asserts when the TA bit (ADSR[1]) asserts. TA indicates that the TNT4882 is an Active or Addressed IEEE 488 Talker. As an IEEE 488 Talker, the TNT4882 can send data to other devices. TA also asserts when the TNT4882 is responding to a serial poll.

Referring to the IEEE 488.1 Talker function:
TADCS = TADS + TACS + SPAS

LADCS—Listener Addressed Signal

The LADCS pin asserts when the LA bit (ADSR[2]) asserts. LA indicates that the TNT4882 is an Active or Addressed IEEE 488 Listener. As an IEEE 488 Listener, the TNT4882 can receive data from the IEEE 488 Active Talker.

Referring to the IEEE 488.1 Listener function:
LADCS = LADS + LACS

TRIG—Trigger Signal

The TRIG pin asserts when the TNT4882 is in the IEEE 488 Device Trigger Active State (DTAS). The TNT4882 enters DTAS when it is an Addressed Listener and is receiving the Group Execute Trigger (GET) command from the Active Controller.

TRIG also pulses when the trig auxiliary command is written to the Auxiliary Mode Register (AUXMR) in one-chip mode or Turbo+7210 mode or when the fget auxiliary command is written to the Auxiliary Command Register (AUXCR) in Turbo+9914 mode.

DCAS—Device Clear

The DCAS pin asserts when the TNT4882 is in the IEEE 488 Device Clear Active State (DCAS). The TNT4882 enters DCAS when it is an Addressed Listener and is receiving the Selected Device Clear (SDC) command from the Active Controller. The TNT4882 also enters DCAS when it is receiving the Device Clear (DCL) command from the Active Controller.

REM—Remote Signal

The REM pin asserts when the REM bit asserts. The REM bit is bit 4 of Interrupt Status Register 2 (ISR[4]) in one-chip mode or Turbo+7210 mode. The REM bit is ADSR[7] in 9914 mode. REM asserts when the TNT4882 GPIB Remote/Local (RL1) function is in either Remote State (REMS) or Remote With Lockout State (RWLS).

When REM asserts, some or all of the local device controls (such as knobs or keyboards) may be inoperative. See the IEEE 488.1 and IEEE 488.2 standard for more information about the requirements of a device in the Remote State.

GPIB Signal Pins

Connect the GPIB signal pins directly to a standard GPIB connector. The TNT4882 has 16 internal IEEE 488.1 compliant transceivers.

Key Pins

The key pins (KEYRST*, KEYDQ, and KEYCLK*) are designed to be directly connected to a Dallas Semiconductor DS1204U Electronic Key. The application software can check for the presence of a security key.

Applications that do not use the key can leave the key pins unconnected. You can also use the Key Reset (KEYRST*) bit, Key Data (KEYDQ) bit, and Key Clock (KEYCLK*) bit pins as general-purpose, TTL, digital I/O pins.

For more information, see the *Key Control Register (KEYREG)* section in Chapter 3, *TNT4882 Interface Registers*, and the *Using the KEY Pins* section in Chapter 4, *TNT4882 Programming Considerations*.

Oscillator Pins

The TNT4882 requires a 40-MHz clock signal. You can generate the clock signal by using one of two methods.

Crystal Oscillator

A CMOS 40-MHz crystal oscillator can drive the clock signal. Connect the crystal oscillator output to the XTALI pin of the TNT4882; leave the XTALO pin unconnected.

Discrete Oscillator Circuit

A circuit based on a 40-MHz quartz crystal can drive the clock signal. Figure 5-2 shows the recommended circuit for a third overtone mode crystal. As Figure 5-2 shows, the oscillator circuit consists of a tank circuit. The capacitors C_{1PAR} and C_{2PAR} are the parasitic capacitances of the oscillator macro cell. The capacitor C_3 is a DC block, so the inductor does not short the inverter output to ground.

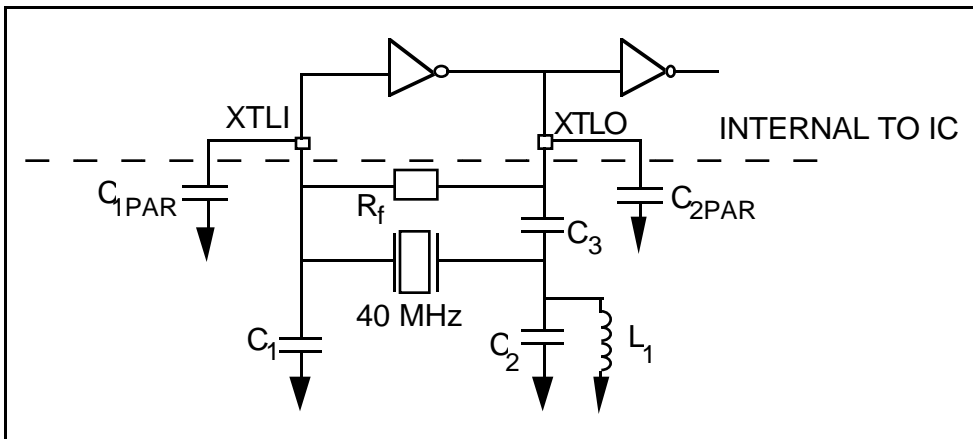


Figure 5-2. Recommended Circuit for a Third Overtone Mode Crystal

Table 5-2 lists the specifications of the quartz crystal.

Table 5-2. Quartz Crystal Specifications

Frequency	40 MHz
Load Capacitance	20 pF
Type	3 rd Overtone, Parallel
Effective Series Resistance	< 50 ohms
Drive Level	> 500 μ W

The values of the components of the oscillator circuit are as follows:

C ₁	20 pF
C ₂	68 pF
C ₃	0.01 μ F
L ₁	0.47 μ H
R _f	1 M Ω

Chapter 6

Hardware Considerations: ISA Pin Configuration

The information in this chapter supplements the information contained in the *TNT4882 Single-Chip IEEE 488.2 Talker/Listener ASIC* data sheet.

CPU Interface Pins

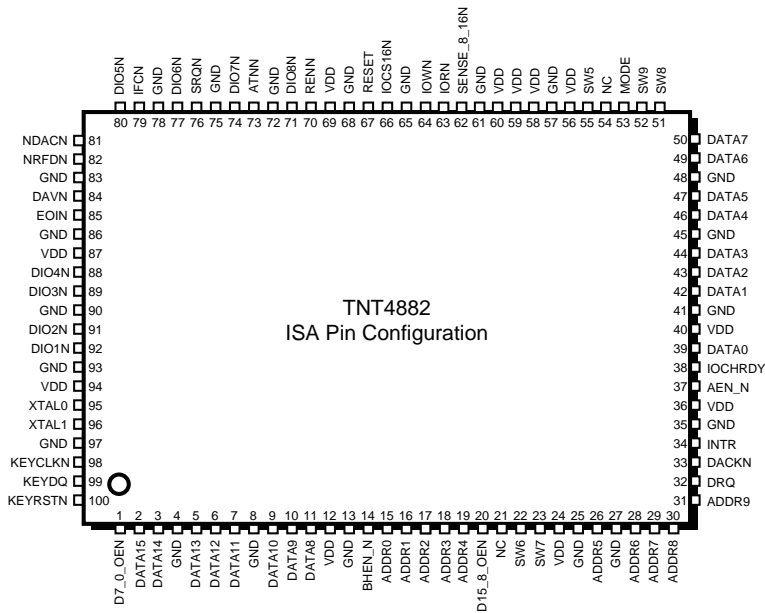


Figure 6-1. TNT4882 ISA Pin Configuration

Data Buses

DATA15–8

DATA15–8 are the upper 8 bits of the bidirectional, 3-state data bus. DATA15–8 transfer commands, data, and status between the TNT4882 and the host interface.

DATA15 is the most significant bit. You can connect these signals directly to the ISA data bus. For 8-bit ISA slave applications, you can leave these pins unconnected.

DATA7-0

DATA7-0 are the lower 8 bits of the bidirectional, 3-state data bus. DATA7-0 transfer commands, data, and status between the TNT4882 and the host interface. DATA7 is the most significant bit. You can connect these signals directly to the ISA data bus.

The following table shows which byte lane accesses the TNT4882 internal registers during an I/O access when you use the ISA pin configuration. All combinations of ADDR4-1, SENSE_8_16N, and BHEN_N not shown in this table are illegal. You should not apply these combinations to the TNT4882 while the chip is selected. The accessed register is determined only by ADDR4-0, not SENSE_8_16N or BHEN_N.

Table 6-1. ISA Pin Configuration Byte Lane Table

SENSE_8_16N	BHEN_N	ADDR4-0	IORN	IOWN	DATA15-8	DATA7-0
0	0	11000	0	1	FIFOA	FIFOB
0	0	11000	1	0	FIFOA	FIFOB
0	0	xxxx1	0	1	Read	Not Driven
0	0	xxxx1	1	0	Written	Ignored
0	1	xxxx0	0	1	Not Driven	Read
0	1	xxxx0	1	0	Ignored	Written
1	1	xxxx0	0	1	Not Driven	Read
1	1	xxxx0	1	0	Ignored	Written
1	1	xxxx1	0	1	Not Driven	Read
1	1	xxxx1	1	0	Ignored	Written

Data Bus Control Signals

D15_8_OEN and D7_0_OEN

D15_8_OEN asserts when the TNT4882 drives DATA15-8 during a read access. Similarly, D7_0_OEN asserts when the TNT4882 drives DATA7-0 during a read access. You can use D15_8_OEN and D7_0_OEN to enable external data transceivers. These signals are output only; you can leave them unconnected if you do not need them.

BHEN_N

BHEN_N enables register accesses through DATA15–8. This pin is usually connected to the ISA BHE* signal. For 8-bit ISA slave applications, you can leave these pins unconnected.

Register Select Pins

ADDR9–5, SW9–5, AEN_N

These pins determine whether the TNT4882 responds to I/O cycles. The TNT4882 responds to an I/O cycle by asserting an internal *chip select* signal when AEN_N is at a logic low level and the ADDR9–5 pins exactly match the SW9–5 pins.

AEN_N can be connected to the ISA Address Enable signal. ADDR9–5 is usually connected to the ISA address bus. SW9–5 determine the base address of the TNT4882. SW9–5 are typically connected to a set of dip switches.

ADDR4–0

The ADDR4–0 pins select one of the registers of the TNT4882 during I/O reads or writes. During DMA accesses, the TNT4882 ignores the ADDR4–0 pins.

IORN, IOWN

During write accesses, the TNT4882 latches data on the rising edge of IOWN. The TNT4882 drives one or both of the data buses when IORN is asserted during read accesses. You can connect these signals directly to the ISA bus.

Other CPU Interface Pins

DRQ

DRQ asserts to request a DMA transfer cycle. The behavior of the DRQ pin depends on the IN bit in the CFG. For GPIB reads (IN = 1), DRQ asserts when the FIFOs contain a word (or byte, if the 16/8N bit is clear) for the host interface to read. For GPIB writes, DRQ asserts when there is room for the host interface to write a word (or byte) to the FIFOs.

The DRQ pin can be tristated by clearing the DMAEN bit in the Accessory Write Register (ACCWR). See the *Accessory Write Register (ACCWR)* section in Chapter 3, *TNT4882 Interface Registers*.

Normally, DRQ remains asserted as long as accesses can be made to the FIFOs. You can use the TIMER register and the TMOE and TIM/BYTN bits of the CFG to limit the assertion time of the DRQ signal. In most ISA systems, you should limit the DRQ assertion time.

DRQ is an output-only pin. If the application does not require DMA, you can leave DRQ unconnected.

DACKN

The DACKN signal selects the FIFOs for access. In the ISA pin configuration, the TNT4882 supports only 16-bit DMA.

If the DMAEN bit in the ACCWR register is clear, the TNT4882 ignores the DACKN pin. See the *Accessory Write Register (ACCWR)* section in Chapter 3, *TNT4882 Interface Registers*.

The DACKN pin is an active low input-only pin with an internal pull-up resistor. If the application does not require DMA, you can connect DACKN to Vdd or leave DACKN unconnected.

INTR

The INTR pin asserts when an enabled interrupt in ISR3 asserts. (See the *Hardware Interrupts* section in Chapter 4, *TNT4882 Programming Considerations*.) The INTR pin can be tristated by clearing the INTEN bit in the INTR register. (See the *Board Interrupt Register* section in Chapter 3, *TNT4882 Interface Registers*.) There is no minimum pulse width for the assertion of the INTR pin.

IOCHRDY

The TNT4882 drives IOCHRDY low to indicate that the current I/O cycle must be lengthened. IOCHRDY unasserts (floats high) during write cycles when the TNT4882 has latched the data from the ISA bus. IOCHRDY unasserts during read cycles when data is valid on the data pins.

The TNT4882 does not drive IOCHRDY low during DMA cycles or when the TNT4882 is in one-chip mode. In Turbo+7210 mode or Turbo+9914 mode, the TNT4882 drives IOCHRDY low during accesses to registers in 7210 or 9914 space. The TNT4882 considers the following offsets to be in 7210 or 9914 space: 0, 2, 4, 6, 8, A, C, E, 11, 13, 15, 17, 1B, 1D, 1F.

The IOCHRDY pin is driven with an open-collector driver. Normally, an internal pull-up resistor passively pulls this signal to a high logic level.

IOCS16N

The TNT4882 drives this open-collector pin low during accesses to the upper data bus.

MODE

The MODE pin determines whether the TNT4882 enters Turbo+7210 mode or Turbo+9914 mode after a hardware reset.

In the ISA pin configuration, the MODE pin is internally tied to the SWAPN pad. Thus, if the MODE pin is low during a hardware reset, the TNT4882 enters Turbo+9914 mode with the SWAP bit set. See the *Architecture After a Hardware Reset* section in Chapter 2, *TNT4882 Architectures*.

Recommendations

If your application uses Turbo+9914 mode, connect MODE to GND. If your application uses one-chip mode or Turbo+7210 mode, either connect MODE to Vdd or leave MODE unconnected.

SENSE_8_16N

If the TNT4882 is used in an 8-bit ISA slot, leave SENSE_8_16N unconnected. If the TNT4882 is used in a 16-bit ISA slot, connect SENSE_8_16N to GND.

RESET

Asserting the RESET signal causes a hardware reset of the TNT4882. The TNT4882 samples the MODE pin while RESET is asserted.

Other Pins

The GPIB signal pins, the key pins, and the oscillator pins are the same in both the ISA pin configuration and the generic pin configuration. Refer to Chapter 5, *Hardware Considerations: Generic Pin Configuration*, for descriptions of these pins.

Appendix A

Common Questions

This appendix lists common questions and answers.

Can I use the TNT4882 at frequencies less than 40 MHz?

Yes, you can. Clocking at lower frequencies is acceptable, but it will slow down some internal functions. This slower speed reduces handshaking performance unless you adjust the T1 delay. HS488 capability will not work at frequencies less than 40 MHz. For more information, see Appendix B, *Clocking the TNT4882 at Frequencies Less than 40 MHz*.

How can I configure the TNT4882 to use the generic pin configuration or the ISA pin configuration?

Connect the TNT4882 according to the pinout of the desired configuration. The pin configuration is determined by which pins are supplied power and ground. See Chapter 5, *Hardware Considerations: Generic Pin Configuration* and Chapter 6, *Hardware Considerations: ISA Pin Configuration* for more information on these pin configurations.

I wrote a 1 to an interrupt enable bit in IMR2 (or IMR1 or IMR0) and the corresponding interrupt condition is true. However, the INTR pin of the TNT4882 is not asserted. Why?

In order for the IMR2, IMR1 and IMR0 interrupts to assert the INTR pin, the TLCINT IE bit (in IMR3) must be 1. See the *Hardware Interrupts* section in Chapter 4, *Software Considerations*, for a more complete explanation of the INTR pin.

Appendix B

Clocking the TNT4882 at Frequencies Less than 40 MHz

This appendix discusses some factors to consider when clocking the TNT4882 at frequencies less than 40 MHz.

TNT4882 designs normally use a 40 MHz clock signal. See the *Oscillator Pins* section of Chapter 5, *Hardware Considerations: Generic Pin Configuration* for more information on generating the clock signal. Clocking the TNT4882 at lower frequencies has little effect other than slowing down some internal functions.

HS488 Capability

The HS488 capability of the TNT4882 will not work properly unless the TNT4882 is clocked at 40 MHz. The HSE bit (MISC[4]) enables HS488, so if the clock signal frequency is less than 40 MHz, you should not set the HSE bit.

WR* Signal Recovery Time

Some TNT4882 registers have no storage elements. When the application program writes to one of these registers, the TNT4882 generates command message pulses. For example, when you write a 10 (hex) to the Command Register (CMDR), the internal Reset FIFO message asserts and then unasserts.

The following registers generate command message pulses:

- CMDR (used in all modes).
- AUXMR (used in Turbo+7210 and one-chip modes).
- AUXCR (used only in Turbo+9914 mode).

The clock signal controls the pulsing. To ensure proper operation, make certain that at least four clock periods separate any two consecutive writes to one of these registers. Figure B-1 illustrates the time between two writes to the AUXMR, the AUXCR, or the CMDR.

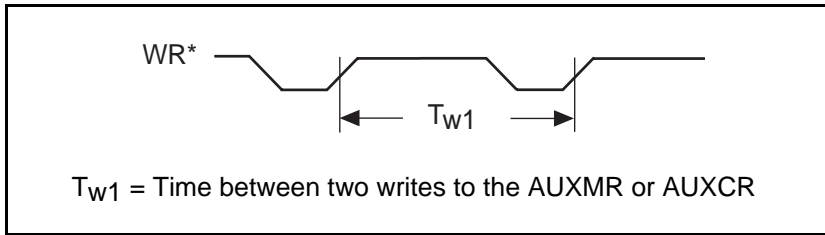


Figure B-1. Illustration of Tw1

Note: Tw1 must be at least four clock periods.

T1 Delay—Byte Sourcing Speed

The ANSI/IEEE Standard 488.1-1987 requires that when a device is sending commands or data, the GPIB data bus (DIO[8:1]*) must be stable for a time, T1, before the device can assert DAV*.

The TNT4882 uses the clock signal to generate the T1 delay. If the clock frequency of the TNT4882 is lower than 40 MHz, you can set the T1 delay to wait for fewer clock cycles.

When the TNT4882 is sourcing data or commands, the status of the bits described in Table B-1 and Table B-2 determines the T1 delay.

Table B-1. T1 Delay Lengths—Turbo+7210 and One-Chip Modes

USTD	TRI	MSTD	PT1_ENA	T1 Delay (in Clock Periods)	
				First Byte	Other Bytes
0	0	0	0	80	80
1	0	0	0	44	44
X	1	0	0	44	20
X	X	1	0	44	14
X	X	X	1	44	Programmable

Table B-2. T1 Delay Lengths—Turbo+9914 Mode

stdl	vstdl	PT1_ENA	T1 Delay (in Clock Periods)	
			First Byte	Other Bytes
0	0	0	80	80
1	0	0	44	44
1	1	0	44	20
1	0	1	44	Programmable

You can set PT1_ENA and the programmable T1 delay by writing to the PT1 register. You can only set PT1_ENA when the TNT4882 is in Turbo+7210 mode or one-chip mode. If you want to use PT1_ENA in Turbo+9914 mode, you must change to Turbo+7210 mode, set PT1 enable, then change back to Turbo+9914 mode. See the *Changing the TNT4882 Architecture Modes* section in Chapter 2, *TNT4882 Architectures*.

Because the TNT4882 uses tri-state GPIB transceivers for the DAV, EOI, and DIO signals, the IEEE 488.1 standard specifies the following requirements for the T1 delay:

- On the first data byte, $T1 \geq 1100$ ns.
- On other data bytes, $T1 \geq 500$ ns.
- If one GPIB device load exists for every meter of cable, $T1 \geq 350$ ns for every byte after the first.

Internal Timer

The TNT4882 internal timer uses the clock signal to generate its timer delays. At lower clock frequencies, the timer runs slower. For a formula to calculate the timer delays in Turbo+9914 mode, see the *Accessory Register J (ACCRJ)* section in Chapter 3, *TNT4882 Interface Registers*. For a formula to calculate the timer delays in Turbo+7210 or one-chip mode, see the *Auxiliary Register J (AUXRJ)* section in Chapter 3, *TNT4882 Interface Registers*.

RDY Signal

When the application software reads or writes to one of the original 9914 or 7210 registers, the hardware must extend the I/O cycle until the RDY pin asserts. The RDY pin may take up to 10 clock periods to assert.

See the *CPUACC and RDY1* section in Chapter 5, *Hardware Considerations: Generic Pin Configuration*.

DRQ Timer

The TNT4882 supports DMA reads and writes to the internal FIFOs. The DRQ pin asserts when the FIFOs have data to read or write.

The Timer Register (TIMER), not the ACCRJ or AUXRJ, can limit the time DRQ remains asserted. If the TIMER is used in timeout mode, the DRQ timer increments once every four clock cycles.

See the *Timer Register (TIMER)* section in Chapter 3, *TNT4882 Interface Registers*, for a more detailed description of the DRQ timer.

Interrupts

Several interrupting conditions depend on the clock signal. The delay from the time an interrupt condition is true until the INT pin asserts may be longer if the TNT4882 clock frequency is less than 40 MHz.

Acceptor Functions

The TNT4882 uses the clock signal in its acceptor handshake function. The chip accepts bytes at a slower rate if the clock frequency is less than 40 MHz.

Trigger Pulse Width

When the control program writes the trig auxiliary command to the AUXMR, the TNT4882 pulses the TRIG pin. The pulse width of the TRIG signal is one clock period.

Appendix C

Introduction to the GPIB

This appendix discusses the history of the GPIB, GPIB hardware configurations, and serial polling.

History of the GPIB

Hewlett-Packard developed the original GPIB (and called it the HP-IB) in the late 1960s. Hewlett-Packard developed its HB-IB to connect and control programmable instruments that Hewlett-Packard had manufactured. The introduction of digital controllers and programmable test equipment created the need for a standard, high-speed interface that would permit communication between instruments and controllers from various vendors. In 1975, the IEEE published ANSI/IEEE Standard 488-1975, *IEEE Standard Digital Interface for Programmable Instrumentation*, which contained the electrical, mechanical, and functional specifications of an interfacing system. The original IEEE 488-1975 was revised in 1978 primarily for editorial clarification and addendum. This bus is now used worldwide and is known by three names:

- General Purpose Interface Bus (GPIB)
- Hewlett-Packard Interface Bus (HP-IB)
- IEEE 488 Bus

Because the original IEEE 488 document contained no guidelines for preferred syntax and format conventions, work continued on the specification to enhance system compatibility and configurability among test systems. This work resulted in a supplement standard—IEEE 488.2, *Codes, Formats, Protocols, and Common Commands*—that you use with IEEE 488 (which was renamed IEEE 488.1).

IEEE 488.2 does not replace IEEE 488.1. Many devices still conform only to IEEE 488.1. IEEE 488.2 builds on IEEE 488.1 by defining a minimum set of device interface capabilities, a common set of data codes and formats, a device message protocol, a generic set of commonly needed device commands, and a new status reporting model.

In 1990, a consortium of test and measurement companies developed the Standard Commands for Programmable Instrumentation (SCPI) document. SCPI defines specific commands that each instrument class (which usually includes instruments from various vendors) must obey. Thus, SCPI guarantees complete system compatibility and configurability among these instruments. You no longer need to learn a different command set for each instrument, and you can easily replace an instrument from one vendor with an instrument from another.

The IEEE 488.1 Specification

The GPIB is a digital, 8-bit, parallel communications interface with maximum data transfer rates over 1 MB/s. The bus supports one system controller—usually a computer—and up to 14 additional instruments. Because the GPIB is an 8-bit parallel interface with fast data transfer rates, it has gained popularity in other applications such as intercomputer communication and peripheral control.

IEEE 488.2 and SCPI Specifications

Although IEEE 488.1 eliminated the need to find the right type of connector and determine which signal line was connected to which pin, it did not solve other problems. More than 10 years after the release of IEEE 488.1, IEEE 488.2 and SCPI solved these problems.

Problems with IEEE 488.1 Compatible Devices

Users of IEEE 488.1 compatible devices encountered the following problems:

- No common method for performing operations existed: In a system with two different meters, one meter could require a command to take a reading while the other could take a reading without a command.
- No common data format existed among communicating devices: Two communicating devices used two different formats to represent the same number.
- No common command set existed: Two devices performed identical functions, but used completely different device-dependent data messages.
- Status reporting was unique to each device: Each device reported its status information in a different format.

The IEEE 488.2 Solution

The IEEE 488.2 standard eliminates the IEEE 488.1 problems through the following solutions:

- IEEE 488.2 contains a minimum set of required device interface capabilities.
- IEEE 488.2 specifies a way of presenting data through data formats and codes.
- IEEE 488.2 defines a specific protocol for sending device messages and the syntax for multiple commands in a single string.

- IEEE 488.2 contains a common command set.
- IEEE 488.2 contains a standard status reporting model.

SCPI Specification

The SCPI specification expands the IEEE 488.2 common command set by defining a single, comprehensive command set that is suitable for all instruments. For example, all SCPI-compatible voltmeters, regardless of manufacturer or model, respond to the same command for reading AC voltage. Their response format is also the same.

SCPI embraces many of the commands and protocols that the hardware-independent portion of the IEEE 488.2 standard defines. Figure C-1 illustrates the structure of the GPIB standards.

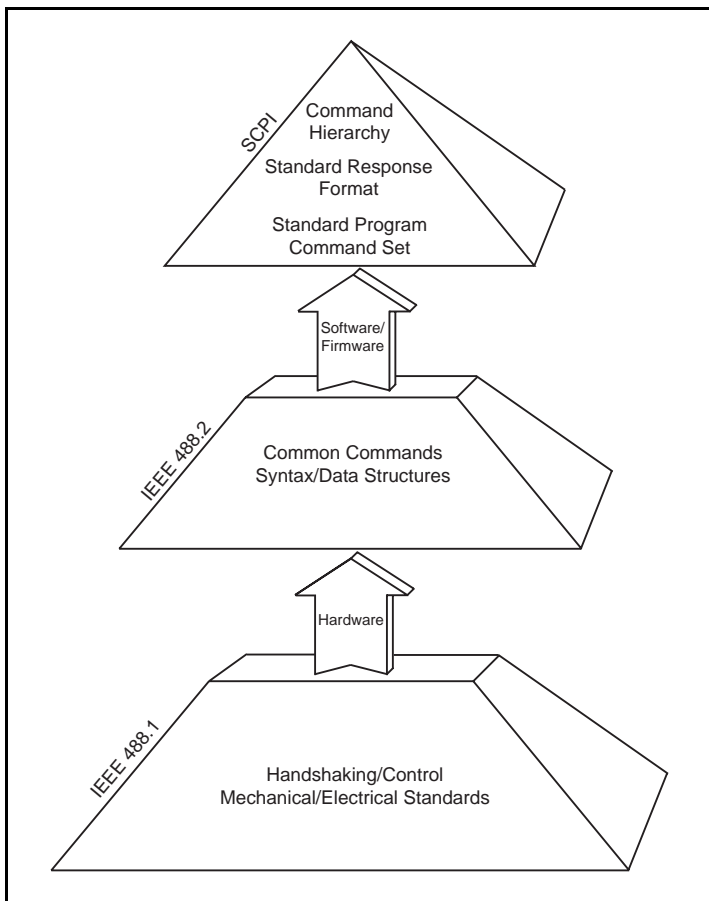


Figure C-1. Structure of the GPIB Standards

The combination of IEEE 488.2 and SCPI leads to greater productivity by featuring software command standards and instant interchangeability. Rather than learning a different command set for each instrument, you can focus on solving measurement problems.

Although you can mix SCPI and non-SCPI instruments in a system, your complete system must adhere to IEEE 488.2 for you to fully benefit from these standards.

See Appendix E, *Standard Commands for Programmable Instruments (SCPI)*, for more information.

GPIB Hardware Configuration

A GPIB hardware setup consists of two or more GPIB devices (instruments and/or interface boards) that are connected by a GPIB cable. The cable assembly consists of a shielded 24-conductor cable with a plug and a receptacle (male/female) connector at each end. With this design, you can link devices in a linear configuration, a star configuration, or a combination of these two configurations (see Figures C-2 and C-3).

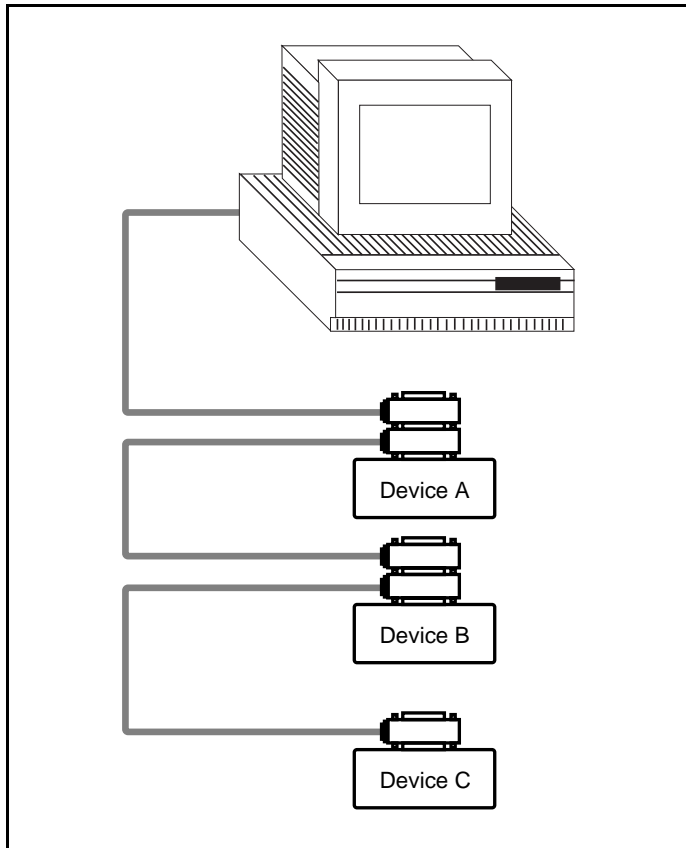


Figure C-2. Linear Configuration

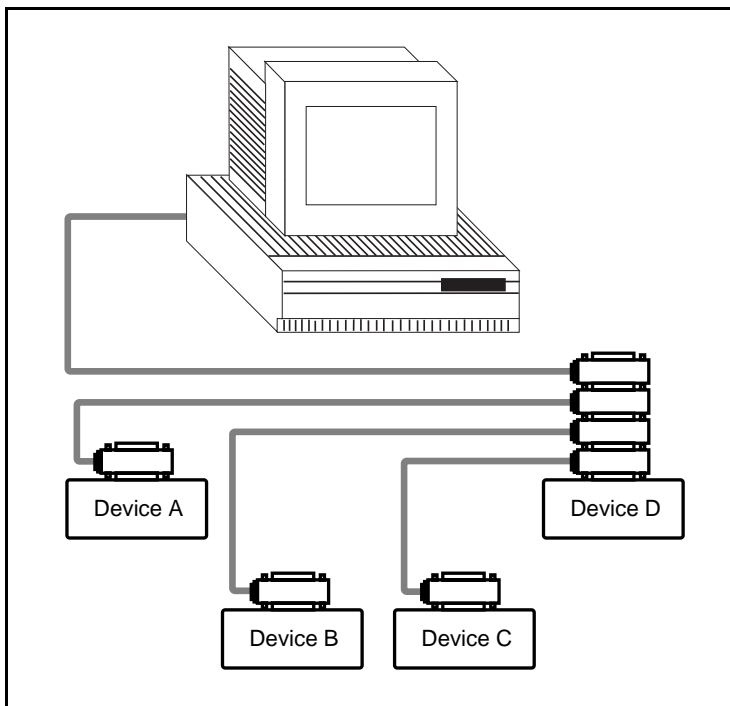


Figure C-3. Star Configuration

GPIB Signals and Lines

The GPIB has 16 signal lines and 8 ground return or shield drain lines (see Figure C-4). All GPIB devices share the same 24 bus lines. The 16 signal lines fall into three groups:

- Eight data lines.
- Five interface management lines.
- Three handshake lines.

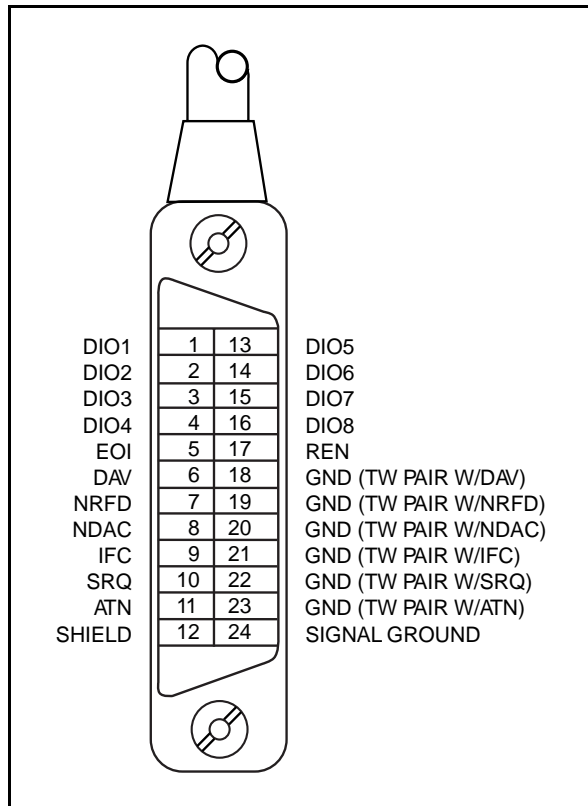


Figure C-4. GPIB Connector and Pin Assignments

Data Lines

The eight data lines, DIO1 through DIO8, carry the command and data messages on the GPIB. All commands and most data use the 7-bit ASCII or ISO code set; thus, the eighth bit, DIO8, is not used or is used for parity.

Interface Management Lines

The following lines manage the flow of information across the GPIB:

- Interface Clear (IFC)
- Attention (ATN)
- Remote Enable (REN)
- End-or-Identify (EOI)
- Service Request (SRQ)

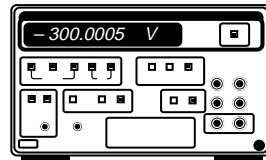
Interface Clear (IFC)

Only the System Controller can control the IFC line. The System Controller uses IFC to take control of the bus asynchronously. This action must initially be done to establish Controller status.

The IFC line is the master reset of the GPIB. When it is asserted, all devices return to a known quiescent state.

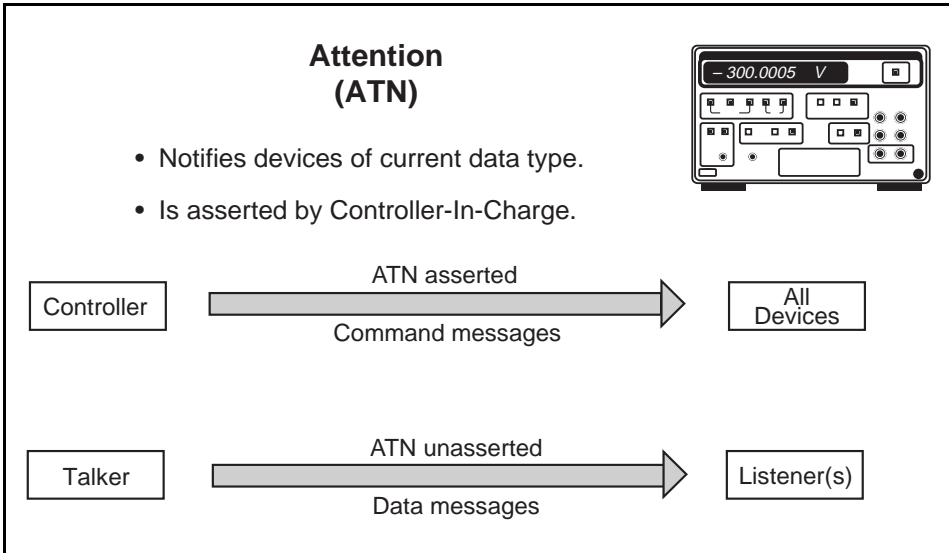
Interface Clear (IFC)

- Places all devices into quiescent state.
- Is asserted by System Controller.



Attention (ATN)

When the ATN line is asserted, all devices become Listeners and participate in the communication. ATN signifies that a GPIB command message or data message is present on the data lines. When ATN is unasserted, information on the bus is interpreted as a *data* message. When ATN is asserted, information on the bus is interpreted as a *command* message.

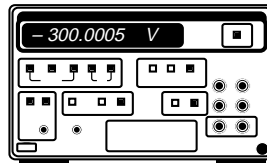


Remote Enable (REN)

The System Controller uses the REN line to put devices into a remote state. Each device has its own remote/local state capabilities. The IEEE 488 standard requires a device to go into a remote programming state whenever the REN line is asserted and addressed to listen.

Remote Enable (REN)

- Enables devices for remote programming.
- Is asserted by System Controller.

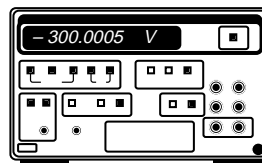


End-or-Identify (EOI)

Some devices terminate their output data by using the EOI line. A Talker asserts EOI along with the last byte of data. A Listener stops reading data when the EOI is asserted. More details of transfer termination are presented later. This line is also used in parallel polling, which will be discussed later.

End Or Identify (EOI)

- Signals end of data.
- Signals the execution of a Parallel Poll.
- Is asserted by current Talker.

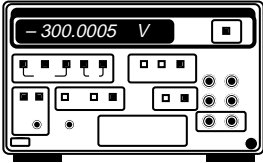


Service Request (SRQ)

A device asserts the SRQ line at any time in order to notify the CIC that it needs service. The SRQ line remains asserted until the device is serial polled. The Controller must monitor SRQ, poll the device, and determine the type of service the device needs.

Service Request (SRQ)

- Alerts Controller that service is needed.
- Is asserted by Non-Controller.



Handshake Lines

Three lines asynchronously control the transfer of message bytes among devices:

- Not Ready For Data (NRFD)
- Not Data Accepted (NDAC)
- Data Valid (DAV)

The GPIB uses a three-wire interlocking handshake scheme. This handshake scheme guarantees that message bytes on the data lines are sent and received without transmission error.

Not Ready For Data (NRFD)

The NRFD line indicates whether a device is ready to receive a data byte. When a Controller is sending commands, all devices drive NRFD. When a Talker is sending data messages, only Listeners drive NRFD.

Not Data Accepted (NDAC)

The NDAC line indicates whether a device has accepted a data byte. When a Controller is sending commands, all devices drive NRFD. When a Talker is sending data messages, only Listeners drive NRFD.

Note: *This handshake scheme limits the transfer rate on the GPIB to that of the slowest active Listener. The transfer rate is limited because a Talker waits until all Listeners are ready (that is, NRFD is false) before sending data and waits for all Listeners to accept data (that is, NDAC is false) before transferring more data. Therefore, the slowest device dictates the maximum GPIB transfer rate.*

Data Valid (DAV)

The DAV line indicates whether signals on the data lines are stable (valid) and whether devices can safely accept the signals. When the Controller sends commands, it controls DAV, and when the Talker sends data messages, it controls DAV.

Figure C-5 illustrates the three-wire handshake process.

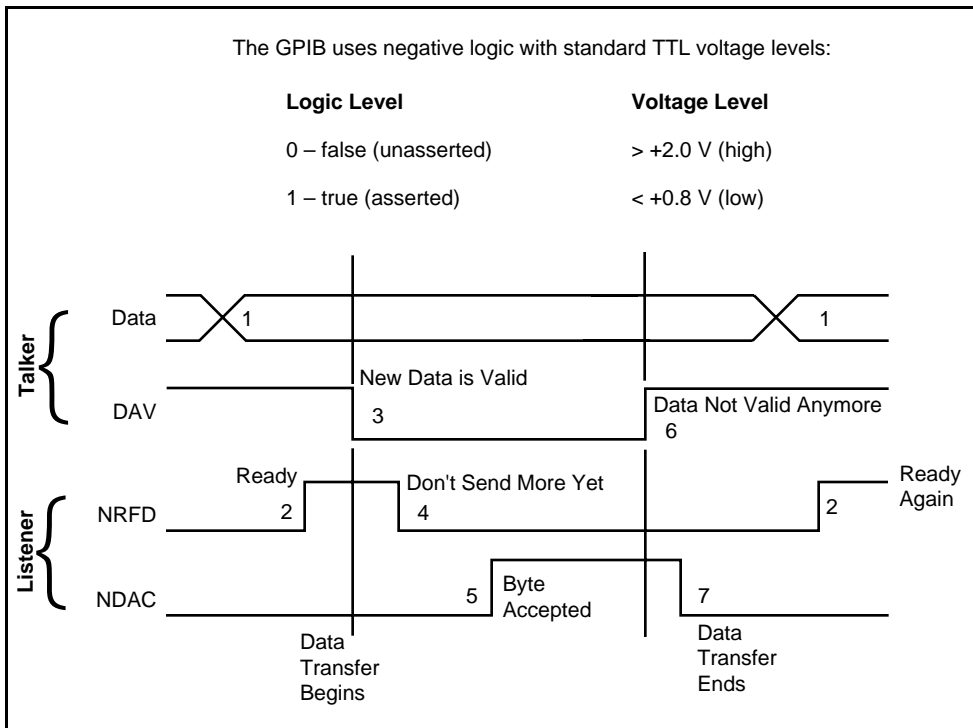


Figure C-5. Three-Wire Handshake Process

Three-Wire Handshake Process

GPIB devices use the three-wire handshake process to transfer information. The three-wire handshake process is identical for command and data transfers. During command transfers, the Controller drives the DIO and DAV lines; all devices drive the NRFD and NDAC lines. During data transfers, the Talker drives the DIO and DAV lines; all Listeners drive the NRFD and NDAC lines.

Devices drive the NDAC and NRFD lines with open-collector drivers, so if any device drives NDAC (or NRFD) to a low voltage level, the signal is logically asserted (true). If no device drives NDAC (or NRFD) to a low voltage level, the signal floats to a high voltage level; thus, the signal is logically unasserted (false).

The following actions occur during the three-wire handshake process (refer to Figure C-5):

1. The Talker (or Controller) places data on the DIO lines and waits at least T1 seconds.
2. After the T1 delay, the Talker waits until the Listener unasserts NRFD. NRFD unasserted (*not* Not-Ready-For Data) indicates that the Listener can receive the data byte.
3. The Talker asserts DAV to indicate that new data is valid on the DIO lines.
4. The Listener asserts NRFD to signal a Not Ready Status (Don't Send More Yet).
5. When the Listener accepts the current byte (by placing it in some internal buffer or by otherwise processing it), the Listener unasserts NDAC.
6. The Talker unasserts DAV.
7. The Listener asserts NDAC, then the Talker executes step 1 to begin transferring the next byte.

Physical and Electrical Specifications

To achieve the GPIB's high data transfer rate, you must limit the physical distance between devices and the number of devices on the bus. This limitation is necessary because the GPIB is a transmission line system. Any distance beyond the maximum allowable cable length, as well as any excess GPIB device loads, can surpass interface circuit drive capability.

The IEEE 488 standard dictates the following limits:

- The total length of all cables is less than or equal to 2 m times the number of connected devices—up to a total of 20 m.

- No more than 15 devices are connected to each bus, with at least two-thirds of the devices powered on.

If you must exceed these limits, you can purchase bus extenders and expanders.

Controllers, Talkers, and Listeners

All buses operate under rules that ensure that data passes reliably and that instruments do not use the bus simultaneously. To determine which device has active control of the bus, devices are categorized as *Controllers*, *Talkers*, or *Listeners*. Whenever two devices communicate, one device will be a Talker and the other will be a Listener. In addition, one device will always be a Controller.

Controllers

Most GPIB systems consist of one computer and a variety of instruments. In this type of system, the computer is typically the System Controller. If multiple computers are connected, several devices can have Controller capability, but only one Controller is active, or *Controller-In-Charge* (CIC), at a time. Active control can pass from the current CIC to an idle Controller.

For each GPIB system, you must define a System Controller. You usually define the System Controller through jumper settings on the GPIB interface board, a software configuration file, or both. Only one device on the bus, the System Controller, can make itself the CIC.

The four primary responsibilities of a Controller are the following:

- Defining the communication links.
- Responding to devices requesting service.
- Sending GPIB commands.
- Passing/receiving control.

Talkers and Listeners

You can set most GPIB devices to be either Talkers or Listeners. However, some devices only talk or only listen. Each device accepts its own command set and has its own method of terminating data strings. Talkers and Listeners have the following properties:

- Talkers
 - Are instructed by the Controller to talk.
 - Place data on the GPIB.
 - Permit only one device to talk at a time.
- Listeners
 - Are instructed by the Controller to listen.
 - Read data that the Talker places on the GPIB.
 - Permit several devices to be Listeners simultaneously.

You can compare GPIB operation to a classroom. The instructor (Controller) controls the communication of data between the students (devices). The instructor decides who talks and who listens. On the GPIB, a device cannot talk or listen unless the Controller explicitly tells it to do so.

Figure C-6 shows a system setup example.

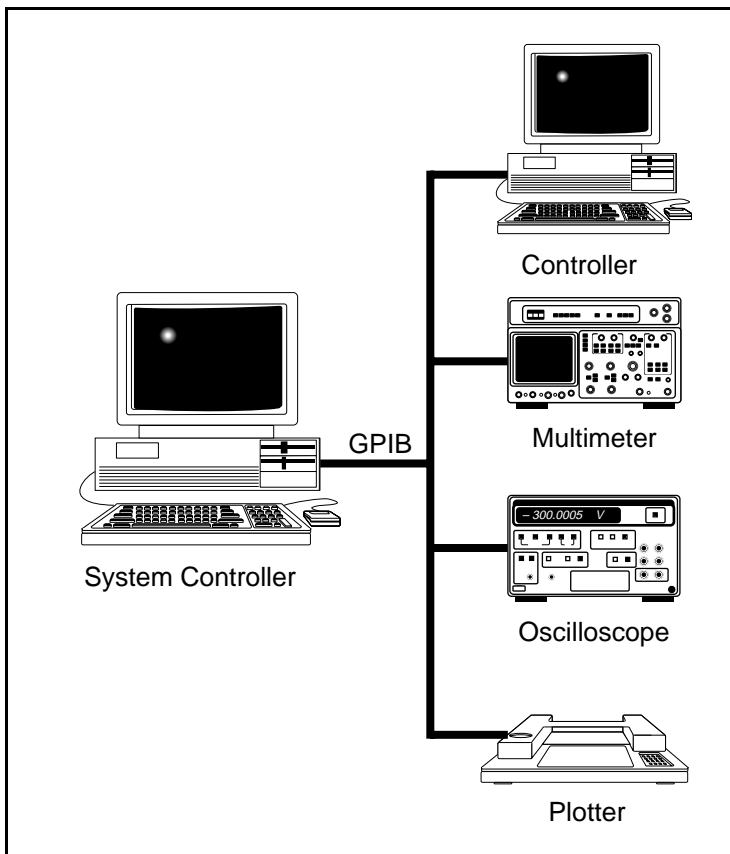


Figure C-6. System Setup Example

Data and Command Messages

In a classroom, when the instructor tells the students who is the Talker and who are the Listeners, his or her information is a command—not the actual data information that the instructor will send. On the GPIB, this distinction is not so intuitive. The bus management line, ATN, determines what type of message you are sending on the bus. If this line is unasserted, the information on the bus is a *data message*; if this line is asserted, the information is a *command message* from the Controller to all devices. The devices on the GPIB monitor the ATN line, determine the data type, and treat the data appropriately.

GPIB Addressing Protocol

In a classroom, an instructor either speaks to the entire class or to a particular student. To speak to a student, the instructor first addresses that student by name.

Addressing on the GPIB follows the same idea. Before any communication can take place on the bus, you must address the Talker and Listener. Before any data passes between devices, the Controller determines who talks and who listens.

In the classroom, you address people by their names. However, on the GPIB, each device (including the Controller) has a unique *primary GPIB address* in the range of 0 to 30 (decimal). The Controller places a command message specifying the addresses of the Talker and Listener devices on the bus.

The Controller sends a single byte (8 bits) of information for a Talker or Listener address command message. Address command messages have the following format:

Bit	7	6	5	4	3	2	1	0
Data		TA	LA	X	X	X	X	X

Bits 0 through 4 contain the binary GPIB primary address of the device in communication, and either bit 5—Listener Address (LA)—or bit 6—Talker Address (TA)—will be set if the device is a Talker or a Listener. Bit 7 is never used and is considered a *don't care* bit. For simplicity, assume bit 7 is zero.

Consider an example in which a Controller at primary GPIB address 0 talks to a device at primary GPIB address 1. To establish the communication link, the Controller must send its GPIB talk address and the device's listen address over the GPIB. In this example, these addresses are as follows:

Bit Patterns Sent to Set Up Talker

Bit pattern: 01000000

010	00000	
┌───┐	┌───┐	
└───┘	└───┘	
TA	ADR	Talker's GPIB Address is 0

Hexadecimal value: 0100 0000

┌───┐	┌───┐	
└───┘	└───┘	
4	0	Hex 40 = ASCII "@"

Refer to the *Multiline Interface Command Messages* table (in Appendix F) and find the hex 40 location. On the same row under the *Msg* column, you see the message MTA0, which means *My Talk Address 0*. Hex 40 is the command message for setting device 0 to be a Talker.

Bit Patterns Sent to Set Up Listener

Bit pattern: 00100001

001	00001	
┌───┐	┌───┐	
└───┘	└───┘	
LA	ADR	Listener's GPIB Address is 1

Hexadecimal value: 0010 0001

┌───┐	┌───┐	
└───┘	└───┘	
2	1	Hex 21 = ASCII "!"

Refer to the *Multiline Interface Command Messages* table and find the hex 21 location. On the same row under the *Msg* column, you see the message MLA1, which means *My Listen Address 1*. Hex 21 is the command message for setting device 1 to be a Listener.

Reading the Multiline Interface Command Messages Table

By using the *Multiline Interface Command Messages* table, you can understand how the GPIB circuitry interprets the bit patterns to produce the proper message commands. The *Multiline Interface Command Messages* table is organized into four groups of columns. The left or first group of columns (hex 00–1F) represents the primary GPIB addresses. Moving to the right to the next group of columns (hex 20–3F), you will find the corresponding listen addresses (MLA). The listen address of a device is formed by adding hex 20 to the GPIB primary address. Again, move right to the next group of columns (hex 40–5F) for the corresponding talk addresses (MTA). You form the talk address of a device by adding hex 40 to the GPIB primary address.

Secondary Addressing

A device can have a secondary address. A secondary address is in the range of 0 to 30 decimal (IE hex). To form a secondary address command (bit pattern), add 96 decimal (60 hex) to the secondary address. You address a device with a secondary address by sending the primary GPIB address, then the corresponding secondary address. With secondary addressing, you can assign up to 961 talk and listen addresses. Most instruments do not use secondary addressing. In the *Multiline Interface Command Messages* table, the group of columns on the right (hex 60–7F) represents the secondary GPIB address commands.

Unaddressing Command Messages

The CIC uses two special command messages to clear the bus of Talkers and Listeners before assigning new Talkers and Listeners. These command messages are Untalk and Unlisten. The Untalk (UNT) command (hex 5F (ASCII “_”)) unaddresses the current Talker. The Untalk command is merely a command for convenience, because addressing one Talker automatically unaddresses all others. The Unlisten (UNL) command (hex 3F (ASCII “?”)) unaddresses all current Listeners on the bus. You cannot unaddress only a single Listener if you have previously addressed several Listeners. You must use the UNL command to guarantee that you address only desired Listeners.

Termination Methods

When devices send data over the GPIB, they use up to three different methods to signify the end of a data transfer. These methods are EOS, EOI, and the count method.

Termination methods in GPIB are necessary only for data messages, not for command messages.

EOS Method

The EOS method uses an EOS character, which signifies the termination of data that devices send on the GPIB. This EOS character can be any character. However, it is commonly a carriage return (hex 0D) or a line feed (hex 0A) that the Talker places as the last character in a data string. The Listener reads individual data bytes from the Talker until the Listener reads the EOS character. When the Listener reads the EOS character, it knows that there is no more data, so it completes the read operation.

You must configure the Talker and Listener to use the EOS method before the communication takes place. Many devices send specific EOS characters and look for specific characters from other devices, so it is important for you to read the documentation for all devices to see which termination method the devices use.

To use the EOS method in a classroom setting, the instructor and students would use a certain word to finish all communication within the classroom. As with the GPIB, the instructor and students would define this method and the word used before any communication took place. In the GPIB and in the classroom, the termination signal is sent by using the normal data path (data lines in GPIB, or speech in the classroom).

EOI Method

The EOI method uses the GPIB EOI line, which is separate from the eight data lines on the GPIB. In the EOI method, when the Talker sends the last byte of data in the transmission, it sets the EOI line high to specify that the byte is the last byte to be sent. The Listener monitors the EOI line and recognizes when there is no more data. You must establish ahead of time whether the Talker will use the EOI method, so you can correctly configure the Listener to watch the EOI line.

Students could use the EOI method in the classroom: they would wave device cards in the air to signal when they have finished speaking. This form of communication is separate from the method of sending data (speech), but the other Listeners can monitor this communication while they receive data (hear the speech).

Count Method

The count method uses neither the EOI line nor the EOS character. In the count method, the device that receives information specifies the number of bytes to read. Through this method, a listening device reads a specified amount of data and prevents the talking device from sending more data. If you do not clear the remaining data from the bus, you can recover it later.

Students can use the count method in the classroom. Students count the words of someone who is talking. The Listener announces that he or she will listen to only a

specified number of words. Beyond this number of words, the Listener will not hear any further information from the Talker. If the Listener wants more information, he or she requests more words from the Talker.

Combinations of Termination Methods

You can use any combination of the three termination methods to terminate communication on the GPIB. For example, you can specify an EOS character and also use the EOI line method. In this case, when the end of the string is reached, the device sending the data will send an EOS character and assert the EOI line. When you use more than one method, the first termination method recognized causes the termination. In this example, the EOS character or EOI line causes termination, depending on which method the device recognizes first.

In general, when you use more than one termination method at a time, all methods are logically ORed together for a result. Therefore, if you use all three methods, the communication termination will take place if the device sees the EOS character, the system asserts the EOI line, or the count value has been reached.

Serial Polling

Servicing SRQs

In the classroom, an instructor is in charge of the class and controls activity. The GPIB works in a similar fashion: the Controller bus controls when tasks are performed. In the classroom, a student must have permission to speak, and on the GPIB, no device can communicate unless it is addressed to talk on the bus. A device may, however, need to communicate with the Controller before the Controller tells it to talk. In a classroom, students who have something to say usually raise their hands. On the GPIB, any device can assert the SRQ line, which is separate from the data lines. SRQ informs the Controller that a device needs attention. The next section discusses how the SRQ line is asserted and how the device that asserts it is identified.

Serial Polling Devices

This section investigates how the GPIB handles the SRQ line. Remember the SRQ line purpose: signaling to the Controller that a device needs attention. When SRQ is asserted, it is the responsibility of the Controller to determine who requested service by checking all devices individually. Checking the devices individually is known as *polling* the devices. The Controller can poll devices in two ways: in serial or in parallel. This appendix discusses serial polling.

Serial polling obtains specific information from a device. When you serial poll, the Controller sends a special command message—Serial Poll Enable (SPE)—to the device,

directing it to return its serial poll status byte. The SPE message sets the IEEE 488.1 serial poll mode in the device, so when the device is addressed to talk, it returns a single 8-bit status byte. This serial poll status byte is different for each type of instrument; except for one bit, you must refer to the instrument user manual for information on the other bits. Bit 6 (hex 40) of any serial poll status byte indicates whether a device requested service by asserting the SRQ line. The device uses the other seven bits of the status byte to specify why it needs attention.

After the Controller reads the status byte, it sends another command message, Serial Poll Disable (SPD), to the device. The SPD message terminates the serial poll mode, thus returning the device to its normal Talker/Listener state. Once a device requesting service is serial polled, it usually unasserts the SRQ line.

When a serial poll is conducted, the following sequence of events occurs:

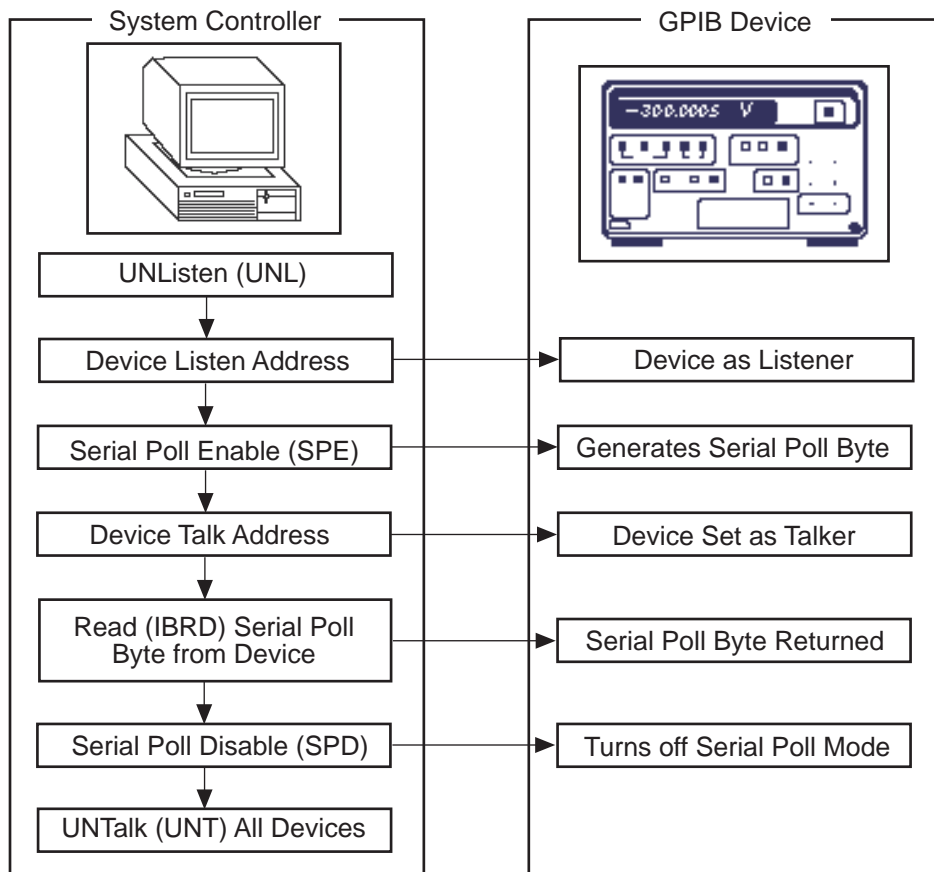


Figure C-7. Events During a Serial Poll

Status Byte Model for IEEE 488.1

IEEE 488.1 defines only bit 6, the RQS bit, of the serial poll status byte (see the following table). If a device is requesting service, it sets RQS. The meaning of the remaining bits is device dependent.

7	RQS	5	4	3	2	1	0	Status Byte Register
---	-----	---	---	---	---	---	---	----------------------

ESR and SRE Registers

The IEEE 488.2 standard defines a set of commands for controlling the GPIB. The standard also defines a new method of working with the SRQ line on the GPIB. This section applies only to those GPIB devices that are IEEE 488.2 compatible. If a device is only IEEE 488.1 compatible, the previous section applies.

Status Byte Model for IEEE 488.2

IEEE 488.2 describes a scheme for status reporting. This scheme is required for all IEEE 488.2 instruments. With this scheme, the Controller can obtain status information for every instrument in the system. This scheme builds on and extends the IEEE 488.1 status byte shown in the above table. Three bits of this status byte are defined. The IEEE 488.2 standard defines the RQS bit like the IEEE 488.1 standard. IEEE 488.2 adds the Event Status Bit (ESB) and the Message Available (MAV) bit. The manufacturer defines other bits. The RQS bit indicates the device has requested service by asserting the SRQ line. The ESB indicates that one of the standard events defined in the Standard Event Status Register has occurred. By setting the corresponding bits in the Standard Event Status Enable Register, you define which standard events will set the ESB. The MAV bit indicates whether a message is available in the instrument output queue. By setting the corresponding bits in the Service Request Enable Register, you can configure an instrument to assert the SRQ line based on the bits of its status register.

The IEEE 488.2 standard defines a dual role for the RQS bit. This bit is also known as the Master Summary Status (MSS) bit. The MSS bit indicates whether there is at least one reason for the instrument to request service. The status of this bit is returned only in response to the status byte (STB) query; its status is not sent in response to a serial poll because this bit is not part of the IEEE 488.1 status byte (see Figure C-8).

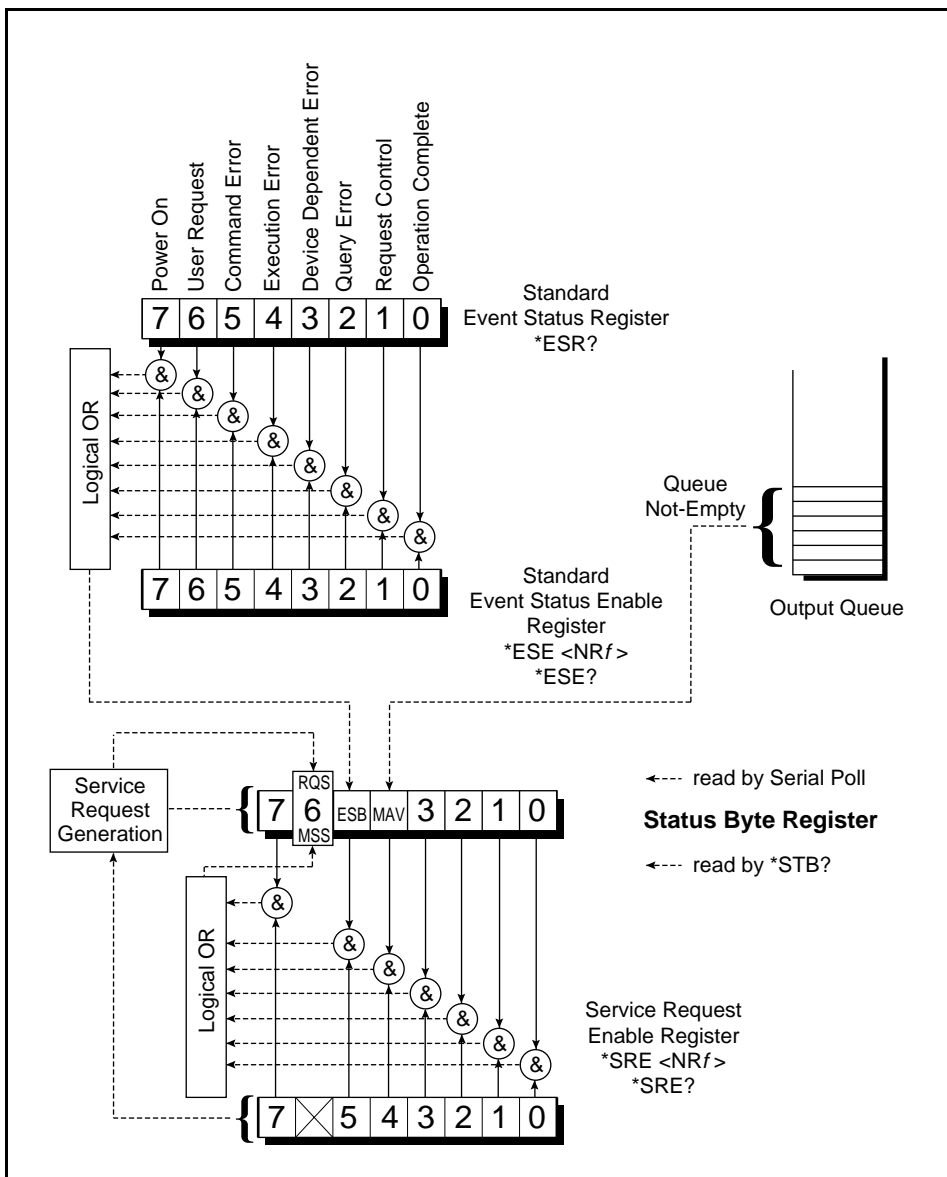


Figure C-8. IEEE 488.2 Standard Status Structures

Parallel Polling

Parallel polling is another way to get information from a device that requests service. Parallel polling differs from serial polling in two ways: all configured devices are polled simultaneously (that is, in parallel) and a Controller initiates a parallel poll sequence (any device requests the initiation of a serial poll sequence).

Overview of Parallel Polls

A parallel poll is an exchange of messages between the Controller and other system devices. The Controller sends the IDY message true to the other devices; each device responds to the IDY message by sending one PPR message (PPR1, PPR2, PPR3, PPR4, PPR5, PPR6, PPR7, or PPR8) to the Controller. Each device usually sends a different PPR message. (See the *Physical Representation of the PPR Message* section in this chapter.) Each device can send its PPR message either true or false. See Figure C-9.

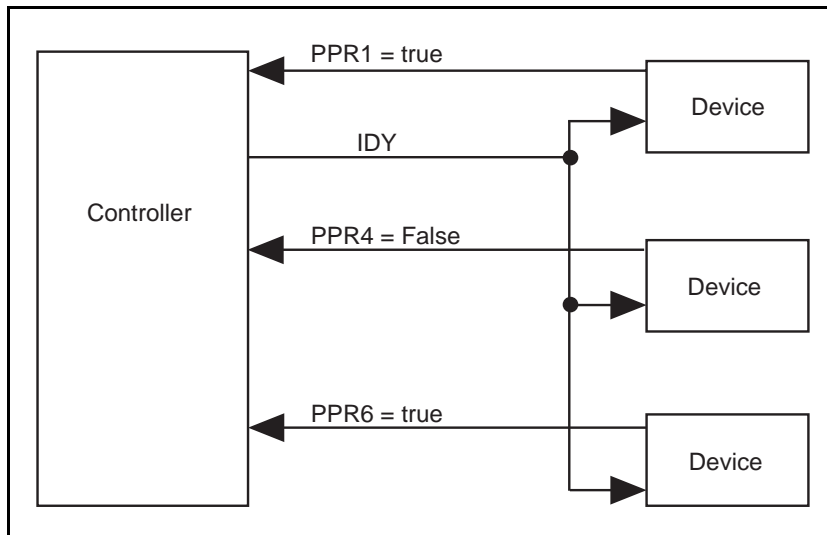


Figure C-9. Example Exchange of Messages During a Parallel Poll

Determining the Value of the PPR Message

Each device examines its local ist message and its Sense bit (S) to determine whether it will send its PPR message true or false. Table C-1 illustrates how the ist message and the Sense bit affect the value of the PPR message.

Table C-1. PPR Message Value

ist message	Sense Bit (S)	PPR Message Sent
0 (False)	0	True
0 (False)	1	False
1 (True)	0	False
1 (True)	1	True

The ist message usually reflects a bit of status information about the device. For example, when the device has taken a measurement, it can assert its local ist message. The Sense bit is part of the configuration of a device. Each device has an independent Sense bit.

The meaning of the PPR message and the local ist message is device dependent.

Configuring a Device for Parallel Polls

To configure a device to respond to parallel polls, you must supply the device with two pieces of data:

- The PPR message that the device should send to the Controller (PPR1, PPR2, . . . , or PPR8)
- The value of the Sense bit of the device.

You can configure devices locally or remotely. You *locally* configure (Parallel Poll function subset PP2) a device by setting knobs or switches on the front panel of the device (or by physically manipulating the device in some other way). You *remotely* configure (Parallel Poll function subset PP1) a device by sending messages across the GPIB from the Controller to the device. If a device has not been configured to respond to parallel polls, it does not respond to parallel polls.

Some devices support only local configuration and some support only remote configuration. Some devices do not support any parallel polls (Parallel Poll function subset PP0).

Determining the PPE Message

The PPE message contains the parallel poll configuration data for a device. Table C-2 shows how you determine the value of DIO[7:1] for the PPE message. As with all commands, the DIO[8] is a *don't care* bit.

Table C-2. Determining the PPE Message

Sense Bit (S)	PPR Message to Send	PPE Message (hex)
0	PPR1	60
0	PPR2	61
0	PPR3	62
0	PPR4	63
0	PPR5	64
0	PPR6	65
0	PPR7	66
0	PPR8	67
1	PPR1	68
1	PPR2	69
1	PPR3	6A
1	PPR4	6B
1	PPR5	6C
1	PPR6	6D
1	PPR7	6E
1	PPR8	6F

Physical Representation of the PPR Message

To send a PPR message true, a device drives the corresponding GPIB DIO signal low with an open-collector driver. For example, to send the PPR4 message true, a device drives the GPIB DIO4 signal low.

Because devices drive the DIO signals with open-collector drivers during parallel polls, more than one device can share a PPR message. If a Controller detects a PPR message being sent true, the Controller knows that one or more of the devices sharing the PPR message is sending the PPR message true.

Clearing and Triggering Devices

A Controller can clear devices in several ways. It can assert the IFC line to clear all devices, or it can send the Device Clear (DCL) command message to clear all devices on the bus. To clear a single device, a Controller can address the device to listen, then send the Selected Device Clear (SDC) command message.

After a device receives DCL or SDC, its *clear* state is device dependent. Generally, sending DCL or SDC is a less extreme method of clearing a device than asserting IFC. Most devices support the DCL and SDC method; all devices support the IFC method.

All devices in multidevice measurement systems must often be sampled as closely together as possible. You can trigger devices simultaneously by using the Group Execute Trigger (GET) command message. This command message causes all currently addressed devices that have triggering capability to initiate a preprogrammed action. The action could be, for example, to take a measurement or begin a sweep.

Appendix D

Introduction to HS488

This appendix describes HS488 and the sequence of events in data transfers.

HS488 is a proposed addition to the ANSI/IEEE Standard 488.1-1987. HS488 specifies using a noninterlocked handshake protocol to transfer data among two or more devices. By using the HS488 protocol, devices can transfer data at rates that are higher than the rates that are possible by using the IEEE 488.1 protocol.

Objectives of HS488

Fast Transfer Rates

HS488 enables transfer rates that are substantially faster than the IEEE 488.1 standard transfer rates. In small systems, the raw transfer rate can be up to 8 MB/s. The faster raw transfer rates improve system throughput in systems where devices send long blocks of data. The physical limitations of the cabling system, however, limit the transfer rate.

Compatibility with Existing IEEE 488.1 Devices

HS488 devices are compatible with IEEE 488.1 devices. IEEE 488.1 devices and HS488 devices can exist in the same system, and they communicate with each other by using IEEE 488.1 protocols.

A Controller does not need to be capable of HS488 noninterlocked transfers. While ATN is true, a Controller sources multiline messages to HS488 devices just as it sources multiline messages to any IEEE 488.1 devices.

No Additional Software Overhead—Automatic HS488 Detection

Addressed HS488 devices detect whether other addressed devices are also HS488 capable without the Controller's action.

No Changes to the IEEE 488.2 Standard

The HS488 protocol requires no changes to the IEEE 488.2 standard. HS488 devices do not need to be IEEE 488.2 compliant.

No Added Cabling Restrictions beyond IEEE 488.1

Systems that meet the IEEE 488.1 requirements for *higher speed operation* meet the HS488 requirements.

You should be aware of the limitations that affect HS488 usage. See Table D-1.

Table D-1. HS488 Limitations

Cabling requirements: Same as IEEE 488.1.
Does not reduce software overhead.
System throughput increases depend on data block size.

IEEE 488.1 Requirements If T1 Delay Is 350 ns

The IEEE 488.1 standard specifies that devices intending high-speed operation must use three-state, 48-mA drivers on most signals. Each device must add no more than 50-pF capacitance on each signal and all devices must be powered on.

The total cable length in a system must be no more than 15 m or 1 m times the number of devices in the system.

Additional HS488 System Requirements

An HS488 system must meet the IEEE 488.1 standard requirements described in the preceding section, and HS488 devices must implement three new interface functions. Talking devices must use the Source Handshake Extended (SHE) interface function, which is an extension of the IEEE 488.1 SH function. Listening devices use the Acceptor Handshake Extended (AHE) interface function, which is an extension of the IEEE 488.1 AHE function. Accepting devices must have at least a small buffer to store received data. HS488 devices must implement the Configuration (CF) interface function. At system power on, the Controller uses previously undefined multiline messages to configure HS488 devices. The CF function enables devices to interpret these multiline messages.

Sequence of Events in Data Transfers

Figure D-1 shows a typical IEEE 488.1 data transfer. The HS488 protocol modifies the IEEE 488.1 Source Handshake and Acceptor Handshake functions. At the beginning of each data transfer, the HS488 source and acceptor functions determine whether all active

Talkers and Listeners are capable of HS488 transfers. If the addressed devices are HS488 capable, they use the HS488 noninterlocked handshake protocol for that data transfer. If any addressed device is not HS488 capable, the transfer continues using the standard three-wire handshake.

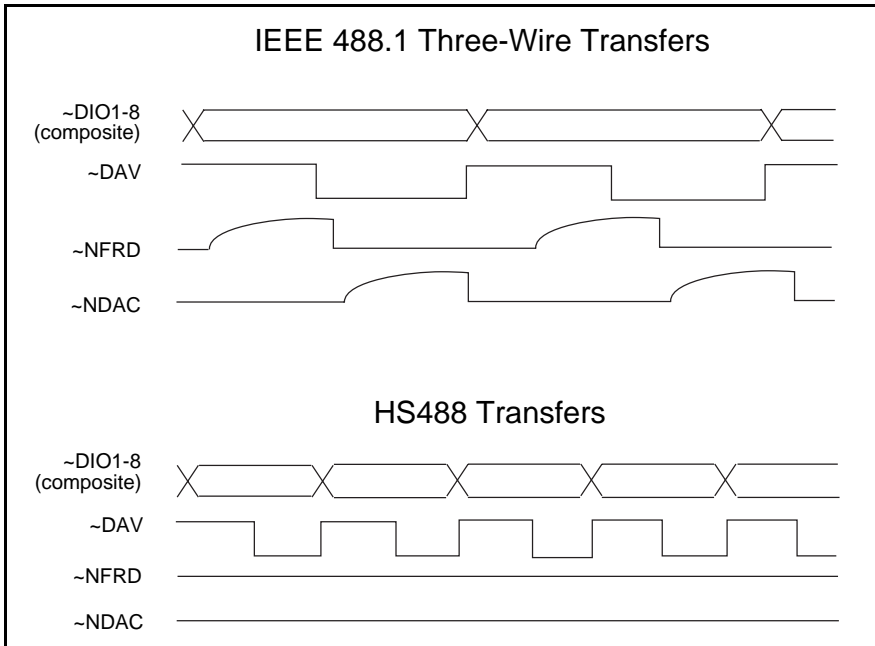


Figure D-1. IEEE 488.1 and HS488 Transfers

The following section describes the sequence of events for data transfers that involve HS488 devices. Table D-2 summarizes the three transfer cases.

Table D-2. Start of Transfer—Three Cases

Talker is HS488—Listener is HS488.
Talker is HS488—Listener is not HS488.
Talker is not HS488—Listener is HS488.

Case 1: Talker and Listener Are HS488 Capable

The following steps describe a typical sequence of events in an HS488 data transfer in which the Talker and Listener are both HS488 capable. Refer to Figure D-2.

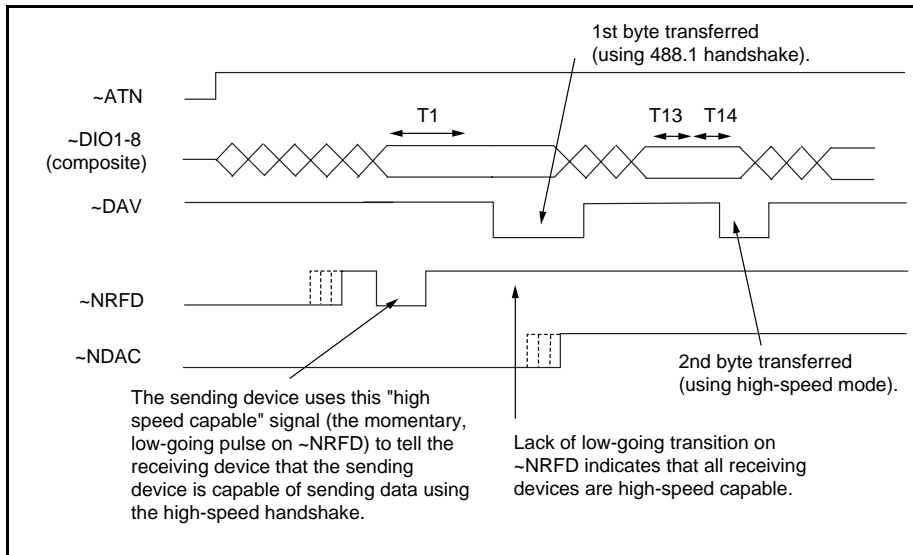


Figure D-2. Talker and Listener Are HS488 Capable

1. The Controller addresses devices and becomes Standby Controller by unasserting ATN.
2. The Listener asserts NDAC and NRFD.
3. The Listener unasserts NRFD as it becomes ready to accept a byte.
4. After allowing time for the Listener to detect NRFD unasserted, the Talker indicates that it is capable of HS488 operation by sending the HSC message. To send the HSC message true, the Talker asserts the NRFD signal.
5. After allowing time for the Listener to respond to the HSC message, the Talker sends the HSC message false. To send the HSC message false, the Talker unasserts the NRFD signal.
6. When the Talker has a byte ready to send, it drives the data on the DIO signal lines, allows some settling time, and asserts DAV.

7. The Listener unasserts NDAC. HS488 Listeners do not assert NRFD as IEEE 488.1 devices would. Because of this behavior, the Talker determines that the addressed Listener is capable of HS488 transfers.
8. The Talker unasserts DAV and begins to drive the next data byte on the GPIB.
9. After allowing some settling time, the Talker asserts DAV.
10. The Listener latches the byte in response to the assertion (falling) edge of DAV.
11. After allowing some hold time, the Talker unasserts DAV and drives the next data byte on the DIO signal lines.
12. Steps 9–11 are repeated for each data byte.

Case 2: Talker Is HS488 Capable, But Listener Is Not HS488 Capable

The following steps describe a typical sequence of events in an HS488 data transfer in which the Talker is HS488 capable, but the Listener is not. Refer to Figure D-3.

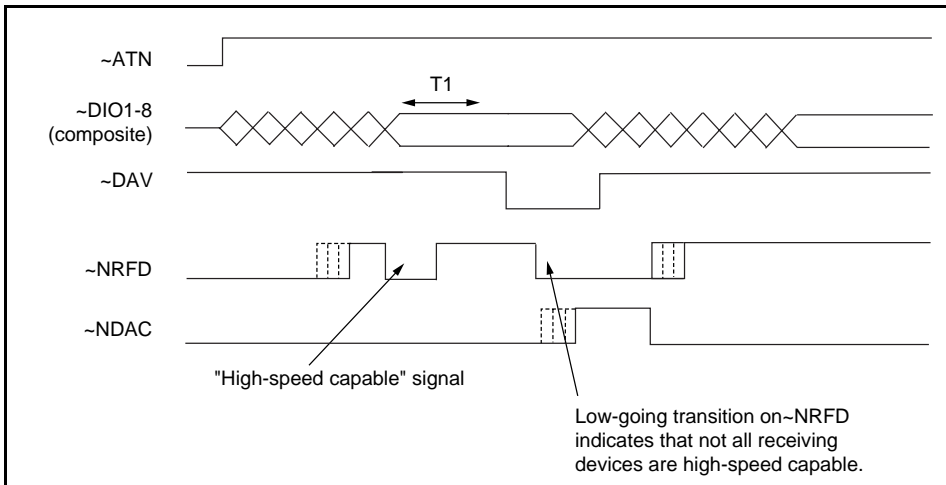


Figure D-3. Talker Is HS488 Capable, But Listener Is Not HS488 Capable

Steps 1–6 are identical to steps 1–6 in case 1, *Talker and Listener Are HS488 Capable*. The Listener ignores the HSC message from the Talker.

Step 7: The IEEE 488.1 Listener enters ACDS and asserts NRFD. Because of this behavior, the Talker determines that the addressed Listener is not capable of HS488 transfers. The Talker sources bytes by using the IEEE 488.1 protocol.

Case 3: Talker Is Not HS488 Capable

The Talker does *not* send an HSC message to the Listener, but begins sourcing bytes by using the IEEE 488.1 protocol.

The Addressed Listener (HS488 or IEEE 488.1) accepts bytes by using the IEEE 488.1 standard three-wire handshake. Refer to Figure D-4.

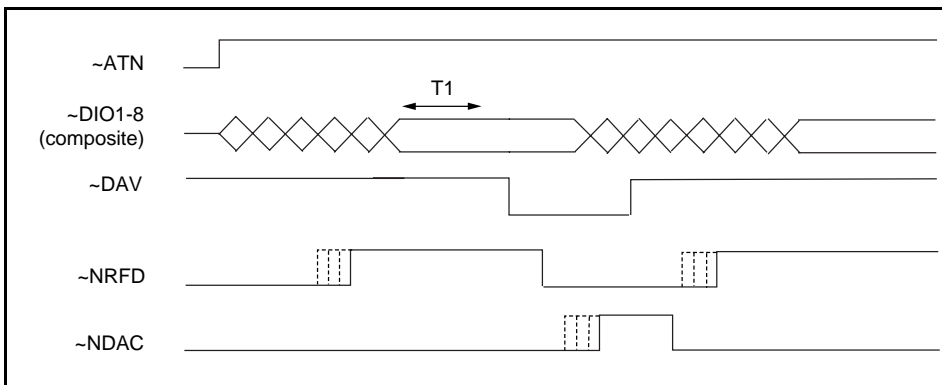


Figure D-4. Talker Is Not HS488 Capable, But Listener Is HS488 Capable

Transfer Holdoffs—3 Cases

There are three transfer holdoff cases:

- Acceptor buffer full.
- Acceptor forces return to three-wire handshake.
- Program message terminator.

Case 1: Listener's Buffer Nearly Full

The following steps describe a typical sequence of events in a transfer holdoff in which the Listener's buffer is nearly full. Refer to Figure D-5.

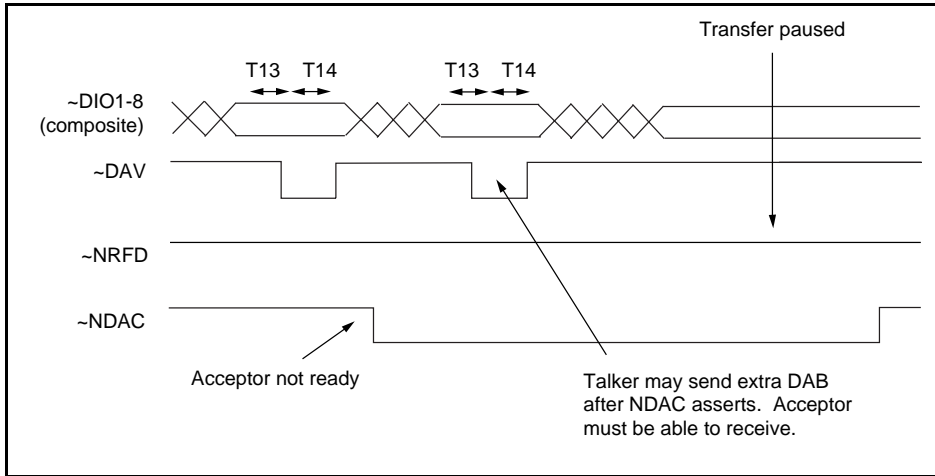


Figure D-5. Acceptor Buffer Full

1. During an HS488 transfer, the buffer of a Listener becomes nearly full. The Listener asserts NDAC when its buffer is nearly full.
2. The Talker detects that NDAC is asserted and stops sending data bytes.

Note: *The Talker can source another byte while the NDAC signal is propagating down the cable system. Asserting NDAC does not interrupt the transfer of this byte. The Listener must be able to accept such bytes.*

3. The device function removes data bytes from the Listener's buffer so that it is not nearly full. The Listener unasserts NDAC.
4. The Talker resumes transferring data bytes by using the noninterlocked handshake protocol.

Case 2: Listener Wants to Resume Three-Wire Handshake

Near the end of a transfer, the Listener can force the sourcing device to resume using the three-wire handshake. Once the handshake is three-wire, the Listener can hold off on every byte. Refer to Figure D-6.

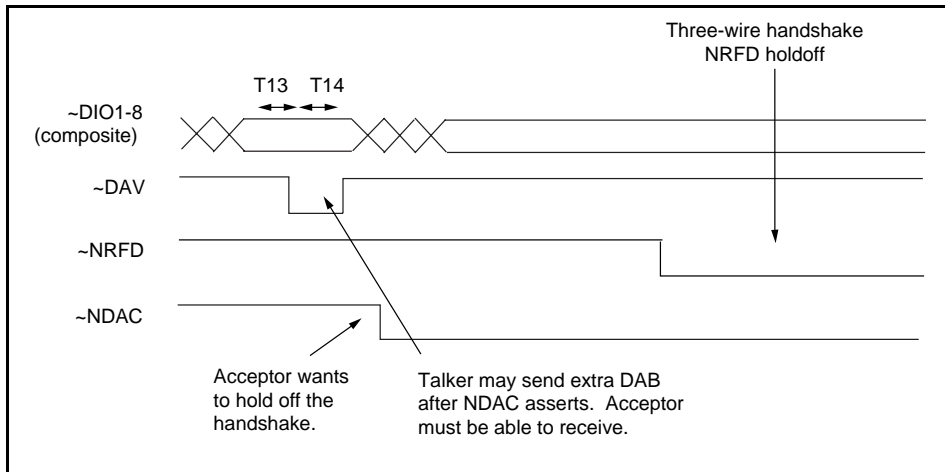


Figure D-6. Acceptor Wants to Resume Three-Wire Handshake

The following sequence of events makes the Talker resume the use of the three-wire handshake:

1. The Listener asserts NDAC.
2. The Talker detects NDAC asserted and stops sending data bytes.

Note: *The Talker can source another byte while the NDAC signal is propagating down the cable system. Asserting NDAC does not interrupt the transfer of this byte. The Listener must be able to accept such bytes.*

3. The Listener waits for the Talker to stop sending data bytes, then asserts NRFD.
4. In response to NRFD, the Talker resumes using the IEEE 488.1 three-wire handshake when the Listener is ready.

Case 3: Talker Sends EOI or EOS

The following steps describe a typical sequence of events in a transfer holdoff in which the Talker sends EOI or EOS. Refer to Figure D-7.

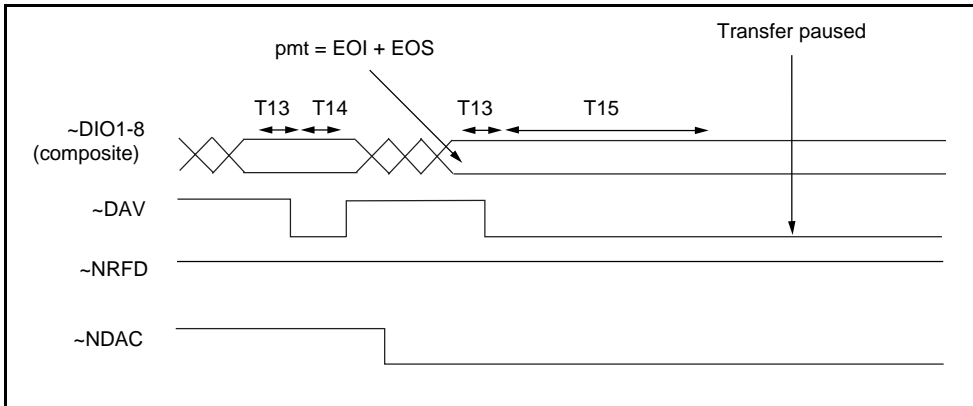


Figure D-7. Program Message Terminator

1. When an HS488 Talking device sends EOI or EOS, the Talker asserts DAV for a longer time than for other bytes. The relatively long DAV pulse gives the Listener enough time to holdoff the Talker before the Talker sends another byte.
2. When the Listener detects EOI or EOS, it asserts NDAC.
3. The Talker detects NDAC asserted and stops sending data bytes.

System Configuration

The HS488 Acceptor Handshake and Source Handshake interface functions depend on several time delays. Some of these delays are a function of the total system cable length.

The Controller must communicate this system configuration data to HS488 devices after the system powers on. The Controller configures HS488 devices by sourcing two multiline messages while ATN is true.

The first message is the CFE message. The Controller sends the CFE message by driving a bit pattern (1E hex) that the IEEE 488.1 standard does not define on the DIO signal lines. The CFE message enables HS488 devices to interpret the SCG message that follows. The second message is a Secondary Command Group (SCG) message that contains the configuration data. The Secondary command has the bit pattern $6n$ hex, where n is the meters of cable in the system.

Appendix E

Standard Commands for Programmable Instruments (SCPI)

This appendix discusses the Standard Commands for Programmable Instruments (SCPI) document, the required SCPI commands, and SCPI programming.

GPIB instrumentation standards have progressed from the IEEE 488.1 standard to the IEEE 488.2 standard to SCPI. The IEEE 488.1 standard simplified and standardized the interconnection of programmable instrumentation by defining the electrical, mechanical, and protocol specifications of the GPIB. Before IEEE 488.1, each manufacturer had its own proprietary interface.

The IEEE 488.2 standard kept the IEEE 488.1 standard intact, but it made systems more compatible and program development easier by defining standard data codes and formats, a status-reporting model, a message exchange protocol, a set of common commands for all instruments, and Controller requirements. Because the IEEE 488.1 standard did not address these issues, manufacturers implemented each item differently, thus creating complex programming and unpredictable development costs.

SCPI uses the IEEE 488.2 standard as a basis for defining a single, comprehensive command set that is suitable for all instruments. SCPI users no longer need to learn a different command set for each instrument in their systems.

You can use IEEE 488.1, IEEE 488.2, and SCPI instruments and Controllers together, but you achieve the maximum benefits with a system consisting of an IEEE 488.2 Controller and SCPI instruments.

IEEE 488.2 Common Commands Required by SCPI

All SCPI devices require the mandatory common commands that the IEEE 488.2 standard defines (see Table E-1). This command set consists of program commands and status queries that are common to all devices. These commands and queries do not handle device-specific operations; they handle more general operations such as device identification, operation synchronization, standard event status enabling and reporting, device reset and self-test, and service request enable reporting.

Table E-1. IEEE 488.2 Common Commands Required by SCPI

Command	Description
*CLS	Clear Status Command
*ESE	Standard Event Status Enable Command
*ESE?	Standard Event Status Enable Query
*ESR?	Standard Event Status Register Query
*IDN?	Identification Query
*OPC	Operation Complete Command
*OPC?	Operation Complete Query
*RST	Reset Command
*SRE	Service Request Enable Command
*SRE?	Service Request Enable Query
*STB?	Read Status Byte Query
*TST?	Self-Test Query
*WAI?	Wait-to-Continue Command

SCPI Required Commands

In addition to the IEEE 488.2 common commands and queries, SCPI defines its own set of required common commands (see Table E-2). In general, these commands build on the IEEE 488.2 common command set, but SCPI expands the standard status-reporting model defined in the IEEE 488.2 standard with OPERation and QUESTionable status registers. For both of these registers, commands read the contents of the EVENT and CONDition registers, set the ENABLE mask, and read the ENABLE mask.

The SYSTem command set defines functions that are not related to instrument performance, such as commands for performing general housekeeping like setting TIME or SECurity. The subcommand query ERRor? requests the next entry from the error/event queue of the device. The PRESet command configures the SCPI and device-dependent status registers to be reported through the SCPI status-reporting model.

Table E-2. SCPI Required Commands

Command	Description
:SYSTem :ERRor?	Collects functions not related to instrument performance Requests the next entry from the instrument's error queue
:STATus :OPERation [:EVENT]? :CONDition? :ENABLE :QUESTionable [:EVENT]? :CONDition :ENABLE :ENABLE? :PRESet	Controls the SCPI-defined status-reporting structures Selects the Operation structure Returns the contents of the Event register Returns the contents of the Condition register Reads the Enable mask Selects the Questionable structure Returns the contents of the Event register Returns the contents of the Condition register Sets the Enable mask, which allows event reporting Reads Enable mask Enables all required event reporting

SCPI Optional Commands

The SCPI command set that an instrument uses can include a subset of the commands covered in the SCPI specification. An instrument designed to measure voltage does not implement commands to measure frequency. An instrument can also support special commands not presently covered in the SCPI standard.

SCPI commands are not case sensitive. Moreover, a command such as TRIGger can be issued as TRIGGER or as its short-form mnemonic, TRIG. However, SCPI does not recognize any other version of this command. For example, TRIGG is *not* a valid command.

Programming with SCPI

The functional blocks of the SCPI Instrument model define the command categories. These categories, along with some other general categories, have a hierarchical structure of subcommands and parameters for more specific functions (see Figure E-1).

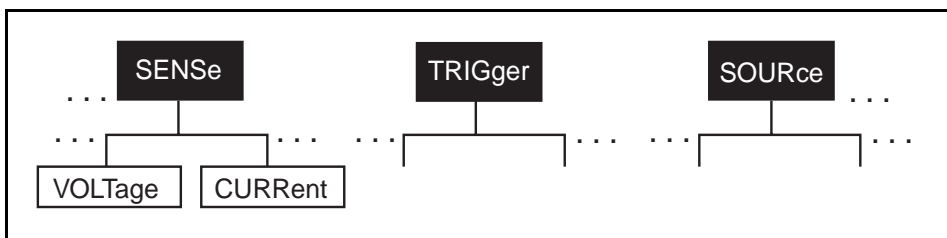


Figure E-1. Partial Command Categories

Most instruments require commands to execute a specific function. For example, a digital voltmeter can require the MEASure, VOLTage, and AUTO commands to take a voltage reading. To properly interpret these commands, SCPI defines a hierarchical command structure called a command tree. Figure E-2 illustrates a simple command tree for the SENSE command subsystem.

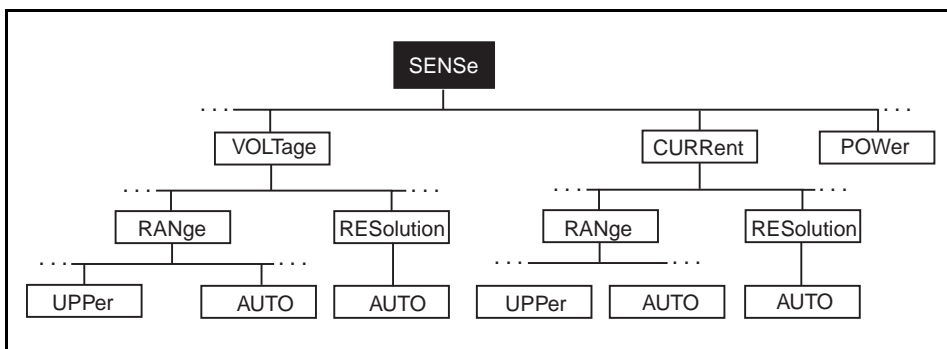


Figure E-2. Simple Command Tree for the SENSE Command Subsystem

The SENSE commands control the characteristics of the conversion process for the input sensors of the instrument. Examples include the following:

- Signal amplitude for VOLTage, CURRent, and POWer.
- Filter BANDwidth.
- FREQuency characteristics.

The SENSE commands do not mathematically manipulate the data after it has been converted.

Constructing SCPI Commands by Using the Hierarchical Command Structure

The SENSE commands program an instrument to control the conversion of the signal into internal data that can be manipulated. SENSE commands control such parameters as range, resolution, gate time, and normal mode rejection. By using the partial command tree shown in Figure E-3, you can construct the short form command to configure an instrument for a voltage measurement that uses dynamic autoranging. This command is as follows:

```
SENS:VOLT:RANG:AUTO:DIR:EITH
```

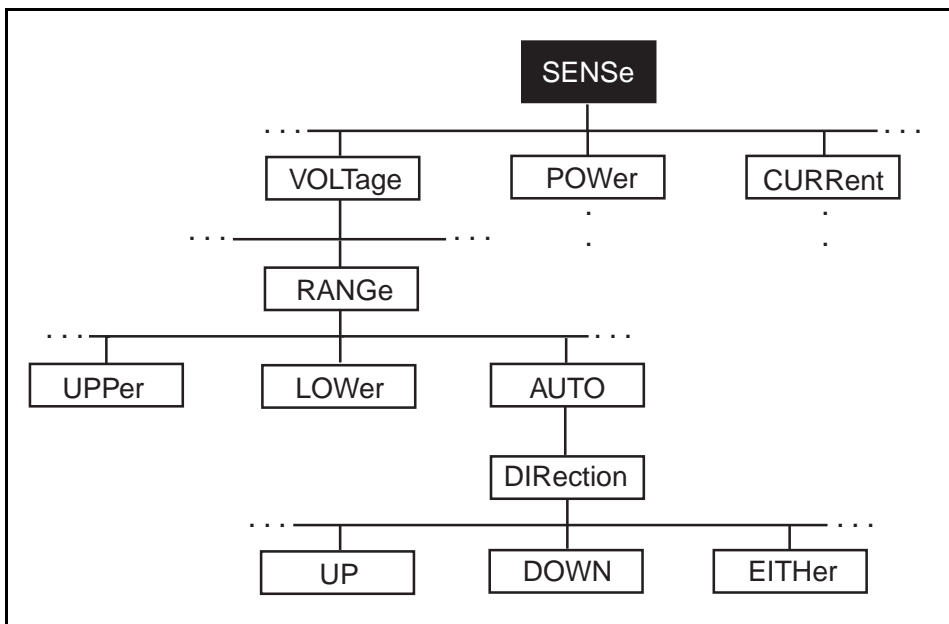


Figure E-3. Partial Command Tree for the SENSE Command Subsystem

The SOURce commands program the instrument to generate a signal based on specified characteristics and internal data. SOURce block functions specify such signal parameters as amplitude modulation, power, current, voltage, and frequency. By using the partial command tree shown in Figure E-4, you can construct the short form command to set the upper limit of the current output to 500 mA. This command is as follows:

```
SOUR:CURR:LIM:HIGH 0.5
```

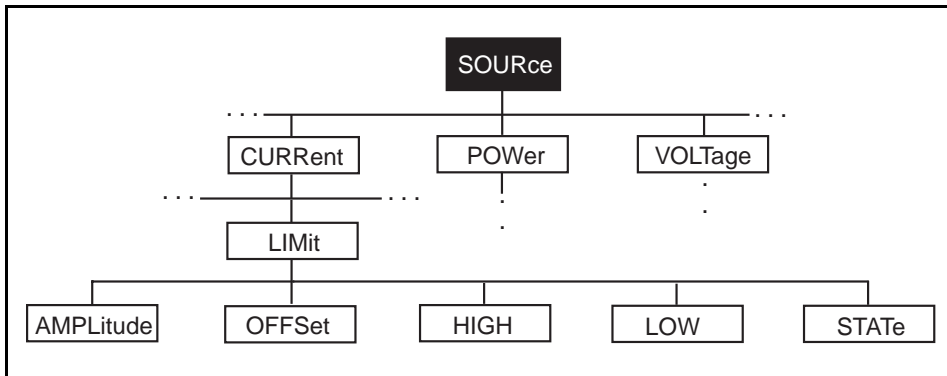


Figure E-4. Partial Command Tree for the SOURce Command Subsystem

The TRIGger commands program the instrument to synchronize its operation based on some event. Trigger sources include an internal event or condition involving the instrument functionality, an external condition such as an analog or digital signal, or a software command. By using the partial command tree shown in Figure E-5, you can construct the short form command to trigger an instrument from an external source. This command is as follows:

```
TRIG:SOUR:EXT
```

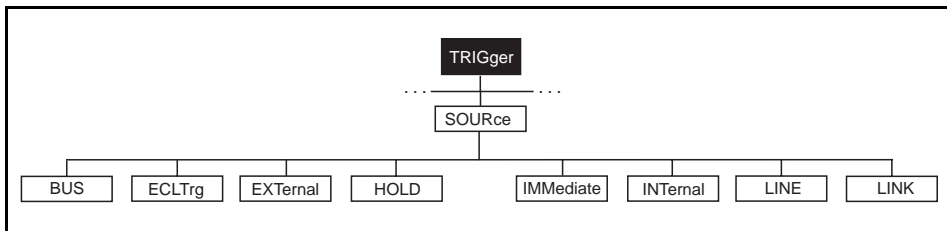


Figure E-5. Partial Command Tree for the TRIGger Command Subsystem

Parsing SCPI Commands

Colons separate each command and instruct the instrument parser to move down a level in the command tree hierarchy. In situations where two commands are issued without changing levels, a semicolon separates the commands. Commas separate parameters such as numeric, extended numeric, discrete, and Boolean. Commas are generally ignored with two exceptions:

- Spaces should not break command words.
- Spaces must not separate commands and parameters.

The colon preceding the first command in a SCPI message instructs the parser in the SCPI instrument to reset itself to the root level in the hierarchy.

Unless specifically noted, all commands have a query form as defined in the IEEE 488.2 standard. When a query command is received, the current instrument settings associated with that command are placed in the instrument output buffer. For more commands, consult the SCPI standard or the user manuals for the SCPI instruments of interest in a particular application.

Appendix F

Multiline Interface Command Messages

This appendix lists the multiline interface messages and describes the mnemonics and messages that correspond to the interface functions. The multiline interface messages are IEEE 488 defined commands that are sent and received with ATN TRUE. The interface functions include initializing the bus, addressing and unaddressing devices, and setting device modes for local or remote programming.

Multiline Interface Command Messages

Hex	Oct	Dec	ASCII	Msg	Hex	Oct	Dec	ASCII	Msg
00	000	0	NUL		20	040	32	SP	MLA0
01	001	1	SOH	GTL	21	041	33	!	MLA1
02	002	2	STX		22	042	34	"	MLA2
03	003	3	ETX		23	043	35	#	MLA3
04	004	4	EOT	SDC	24	044	36	\$	MLA4
05	005	5	ENQ	PPC	25	045	37	%	MLA5
06	006	6	ACK		26	046	38	&	MLA6
07	007	7	BEL		27	047	39	'	MLA7
08	010	8	BS	GET	28	050	40	(MLA8
09	011	9	HT	TCT	29	051	41)	MLA9
0A	012	10	LF		2A	052	42	*	MLA10
0B	013	11	VT		2B	053	43	+	MLA11
0C	014	12	FF		2C	054	44	,	MLA12
0D	015	13	CR		2D	055	45	-	MLA13
0E	016	14	SO		2E	056	46	.	MLA14
0F	017	15	SI		2F	057	47	/	MLA15
10	020	16	DLE		30	060	48	0	MLA16
11	021	17	DC1	LLO	31	061	49	1	MLA17
12	022	18	DC2		32	062	50	2	MLA18
13	023	19	DC3		33	063	51	3	MLA19
14	024	20	DC4	DCL	34	064	52	4	MLA20
15	025	21	NAK	PPU	35	065	53	5	MLA21
16	026	22	SYN		36	066	54	6	MLA22
17	027	23	ETB		37	067	55	7	MLA23
18	030	24	CAN	SPE	38	070	56	8	MLA24
19	031	25	EM	SPD	39	071	57	9	MLA25
1A	032	26	SUB		3A	072	58	:	MLA26
1B	033	27	ESC		3B	073	59	;	MLA27
1C	034	28	FS		3C	074	60	<	MLA28
1D	035	29	GS		3D	075	61	=	MLA29
1E	036	30	RS		3E	076	62	>	MLA30
1F	037	31	US		3F	077	63	?	UNL

Message Definitions

DCL Device Clear
 GET Group Execute Trigger
 GTL Go To Local
 LLO Local Lockout
 MLA My Listen Address

MSA My Secondary Address
 MTA My Talk Address
 PPC Parallel Poll Configure
 PPD Parallel Poll Disable

Multiline Interface Command Messages

Hex	Oct	Dec	ASCII	Msg	Hex	Oct	Dec	ASCII	Msg
40	100	64	@	MTA0	60	140	96	`	MSA0,PPE
41	101	65	A	MTA1	61	141	97	a	MSA1,PPE
42	102	66	B	MTA2	62	142	98	b	MSA2,PPE
43	103	67	C	MTA3	63	143	99	c	MSA3,PPE
44	104	68	D	MTA4	64	144	100	d	MSA4,PPE
45	105	69	E	MTA5	65	145	101	e	MSA5,PPE
46	106	70	F	MTA6	66	146	102	f	MSA6,PPE
47	107	71	G	MTA7	67	147	103	g	MSA7,PPE
48	110	72	H	MTA8	68	150	104	h	MSA8,PPE
49	111	73	I	MTA9	69	151	105	i	MSA9,PPE
4A	112	74	J	MTA10	6A	152	106	j	MSA10,PPE
4B	113	75	K	MTA11	6B	153	107	k	MSA11,PPE
4C	114	76	L	MTA12	6C	154	108	l	MSA12,PPE
4D	115	77	M	MTA13	6D	155	109	m	MSA13,PPE
4E	116	78	N	MTA14	6E	156	110	n	MSA14,PPE
4F	117	79	O	MTA15	6F	157	111	o	MSA15,PPE
50	120	80	P	MTA16	70	160	112	p	MSA16,PPD
51	121	81	Q	MTA17	71	161	113	q	MSA17,PPD
52	122	82	R	MTA18	72	162	114	r	MSA18,PPD
53	123	83	S	MTA19	73	163	115	s	MSA19,PPD
54	124	84	T	MTA20	74	164	116	t	MSA20,PPD
55	125	85	U	MTA21	75	165	117	u	MSA21,PPD
56	126	86	V	MTA22	76	166	118	v	MSA22,PPD
57	127	87	W	MTA23	77	167	119	w	MSA23,PPD
58	130	88	X	MTA24	78	170	120	x	MSA24,PPD
59	131	89	Y	MTA25	79	171	121	y	MSA25,PPD
5A	132	90	Z	MTA26	7A	172	122	z	MSA26,PPD
5B	133	91	[MTA27	7B	173	123	{	MSA27,PPD
5C	134	92	\	MTA28	7C	174	124		MSA28,PPD
5D	135	93]	MTA29	7D	175	125	}	MSA29,PPD
5E	136	94	^	MTA30	7E	176	126	~	MSA30,PPD
5F	137	95	_	UNT	7F	177	127	DEL	

Message Definitions

PPE Parallel Poll Enable
 PPU Parallel Poll Unconfigure
 SDC Selected Device Clear
 SPD Serial Poll Disable

SPE Serial Poll Enable
 TCT Take Control
 UNL Unlisten
 UNT Untalk

Appendix G

Mnemonics Key

This appendix defines the mnemonics (abbreviations) that this manual uses for functions, remote messages, local messages, states, bits, registers, integrated circuits, and system functions.

The mnemonic types in this key are abbreviated to mean the following:

A	Auxiliary or Accessory Commands
B	Bit
F	Function
IC	Integrated Circuit
LM	Local Message
P	Physical Device Pin
R	Register
RM	Remote Message
SF	System Function
ST	State

Mnemonic	Type	Definition
16/8N	B	16- or 8-Bit Mode bit

A

A/BN	B	FIFO First bit
ABUS		"A" Data Bus
ABUSN	P	"A" Data Bus Enable Pin
ACCR	R	Accessory Register
ACCRA	R	Accessory Register A
ACCRB	R	Accessory Register B
ACCRA	R	Accessory Register E
ACCRF	R	Accessory Register F
ACCRI	R	Accessory Register I
ACCRJ	R	Accessory Register J
ACCRWR	R	Accessory Write Register
ACDS	ST	Acceptor Data State (AH function)
ACG	RM	Addressed Command Group
ACRDY	B	Acceptor Ready State bit
ACRS	ST	Acceptor Ready State
ADHS	B	Acceptor Data Holdoff State bit
ADM0	B	Address Mode bit 0
ADM1	B	Address Mode bit 1
ADMR	R	Address Mode Register
ADR	R	Address Register
ADR0	R	Address Register 0
ADR1	R	Address Register 1
ADSC	B	Address Status Change bit
ADSC IE	B	Address Status Change Interrupt Enable bit
ADSR	R	Address Status Register
AEFN	B	FIFO A Empty Flag bit
AEHS	B	Acceptor End Holdoff State bit
AEN_N	P	ISA Address Enable Pin
AFFN	B	FIFO A Full Flag bit
AH1	F	Acceptor Handshake
AHAS	ST	Acceptor High-Speed Active State
AIDS	ST	Acceptor Idle State
ANHS1	B	Acceptor Not Ready Holdoff bit
ANHS2	B	Acceptor Not Ready Holdoff Immediately bit
ANRS	ST	Acceptor Not Ready State
APT	B	Address Pass Through bit
APT IE	B	Address Pass Through Interrupt Enable bit
ARS	B	Address Register Select bit
ATN	RM	Attention
ATN*	B	Attention bit
ATN IE	B	Attention Interrupt Enable bit

Mnemonic	Type	Definition
ATNI	B	ATN Interrupt bit
ATNI IE	B	ATN Interrupt Enable bit
AUXCR	R	Auxiliary Command Register
AUXMR	R	Auxiliary Mode Register
AUXRA	R	Auxiliary Register A
AUXRB	R	Auxiliary Register B
AUXRE	R	Auxiliary Register E
AUXRF	R	Auxiliary Register F
AUXRG	R	Auxiliary Register G
AUXRI	R	Auxiliary Register I
AUXRJ	R	Auxiliary Register J
AWNS	ST	Acceptor Wait For New Cycle State

B

BBUS		"B" Data Bus
BBUSN	P	"B" Data Bus Enable Pin
BCR	R	Bus Control Register
BEFN	B	FIFO B Empty Flag bit
BFFN	B	FIFO B Full Flag bit
BHE		ISA Byte High Enable Signal
BHEN	P	Byte High Enable Pin
BI	B	Byte In bit
BI IE	B	Byte In Interrupt Enable bit
BIN	B	Binary bit
BO	B	Byte Out bit
BO IE	B	Byte Out Interrupt Enable bit
BSR	R	Bus Status Register
BTO	B	Byte Timeout bit

C

C	F	Controller
CACS	ST	Controller Active State (C function)
CCEN	B	Carry Cycle Enable bit
CCR	R	Carry Cycle Register
CDOR	R	Command/Data Out Register
CFG	R	Configuration Register
CHES	B	Clear Holdoff On End Select bit
ch_rst	A	Chip Reset auxiliary command
CIC	B	Controller-In-Charge bit
CIC IE	B	Controller-In-Charge Interrupt Enable bit
clear ADSC	A	Clear ADSC Interrupt auxiliary command
clear ATNI	A	Clear ATNI Interrupt auxiliary command

Mnemonic	Type	Definition
clear DEC	A	Clear DEC Interrupt auxiliary command
clear DET	A	Clear DET Interrupt auxiliary command
clear END	A	Clear END Interrupt auxiliary command
clear ERR	A	Clear ERR Interrupt auxiliary command
clear IFCI	A	Clear IFCI Interrupt auxiliary command
clear LOKC	A	Clear LOKC Interrupt auxiliary command
clear REMC	A	Clear REMC Interrupt auxiliary command
clrpi	A	Clear Page-In Registers auxiliary command
CMDR	R	Command Register
CNT0	R	Count 0 Register
CNT1	R	Count 1 Register
CNT2	R	Count 2 Register
CNT3	R	Count 3 Register
CPT	B	Command Pass Through bit
CPT ENABLE	B	Command Pass Through Enable bit
CPT IE	B	Command Pass Through Interrupt Enable bit
CPTR	R	Command Pass Through Register
CPUACC	P	CPU Access Pin
CSN	P	Chip Select Pin
CSR	R	Chip Signature Register

D

DAC	RM	Data Accepted
DACKN	P	DMA Acknowledge Pin
dacr	A	Release DAC Holdoff auxiliary command
dai	A	Disable IMR2, IMR1, And IMR0 Interrupts auxiliary command
dai	B	Disable IMR2, IMR1, And IMR0 Interrupts bit
dal	B	Disable Listener bit
dat	B	Disable Talker bit
DAV	RM	Data Valid
DAV	B	GPIO Data Valid Signal bit
DC1	F	Device Clear
DCAS	B	Device Clear Active State bit
DCAS IE	B	Device Clear Active State Interrupt Enable bit
DCL	RM	Device Clear
DCR	R	DIO Control Register
DEC	B	Device Clear bit
DEC IE	B	Device Clear Interrupt Enable bit
DET	B	Device Execute Trigger bit
DET IE	B	Device Execute Trigger Interrupt Enable bit
DGA	B	Deglintch Selector A
DGB	B	Deglintch Selector B
DHADC	B	DAC Holdoff On DCL Or SDC Command bit

Mnemonic	Type	Definition
DHADT	B	DAC Holdoff On GET Command bit
DHALA	B	DAC Holdoff On All Listener Addresses Command bit
DHALL	B	DAC Holdoff On All UCG, ACG, And SCG Commands bit
DHATA	B	DAC Holdoff On All Talker Addresses Command bit
DHDC	B	DAC Holdoff On DCAS Command bit
DHDT	B	DAC Holdoff On DTAS Command bit
DHUNTL	B	DAC Holdoff On The UNL Or UNT Command bit
DI	B	Data In bit
DI IE	B	Data In Interrupt Enable bit
DIR	R	Data In Register
DL	B	Disable Listener bit
DL0	B	Disable Listener 0 bit
DL1	B	Disable Listener 1 bit
DMAE	B	DMA Enable bit
DMAEN	B	DMA Enable bit
DMAI	B	DMA Input Enable bit
DMAO	B	DMA Output Enable bit
DO	B	Data Out bit
DO IE	B	Data Out Interrupt Enable bit
DONE	B	GPIB Transfer Status bit
DONE IE	B	GPIB Transfer Status Interrupt Enable bit
DRQ	B	DMA Request Pin Status bit
DSR	R	DIO Status Register
DT	B	Disable Talker bit
DT	F	Device Trigger function
DT0	B	Disable Talker 0 bit
DT1	B	Disable Talker 1 bit
DTAS	ST	Device Trigger Active State

E

edpa	B	Enable Dual Primary Addressing Mode bit
END	B	End Received bit
END IE	B	End Received Interrupt Enable bit
END RX	B	End Received bit
EOI	B	End-or-Identify bit
EOI	RM	End or Identify
EOS	RM	End of String
EOS0	B	End-of-String bit 0
EOS1	B	End-of-String bit 1
EOS2	B	End-of-String bit 2
EOS3	B	End-of-String bit 3
EOS4	B	End-of-String bit 4
EOS5	B	End-of-String bit 5

Mnemonic	Type	Definition
EOS6	B	End-of-String bit 6
EOS7	B	End-of-String bit 7
EOSR	R	End-of-String Register
ERR	B	Error bit
ERR IE	B	Error Interrupt Enable bit
EXTDAC		External DAC

F

feoi	A	Send EOI With The Next Byte
fget	A	Force Group Execute Trigger auxiliary command
FIFOA	R	First-In First-Out Buffer A
FIFOB	R	First-In First-Out Buffer B

G

GET	RM	Group Execute Trigger bit
GET IE	B	Group Execute Trigger Interrupt Enable bit
GND	P	Ground Pin
GO	B	GO Command bit
GO2SIDS	B	Go To SIDS bit
GSYNC	B	GPIB Synchronization bit
GTL	RM	Go To Local

H

HALT	B	Turbo488 Transfer State Machine Halted bit
hdfa	A	Holdoff On All Data auxiliary command
hdfe	A	Holdoff On End Only auxiliary command
HIER	R	High-Speed Enable Register
HLDA	B	Holdoff On All Data bit
HLDE	B	Holdoff On End bit
hldi	A	Holdoff Handshake Immediately
HSC		HS488 Capable Signal
HSE	B	High-Speed Enable bit
HSSEL	R	Handshake Select Register
HSTS	ST	High-Speed T1 State
HWE		High Write Enable

<u>Mnemonic</u>	<u>Type</u>	<u>Definition</u>
I		
IDY	RM	Identify
IFC	RM	Interface Clear
IFC IE	B	Interface Clear Interrupt Enable bit
IFCI	B	IFC Interrupt bit
IFCI IE	B	IFC Interrupt Enable bit
IMR0	R	Interrupt Mask Register 0
IMR1	R	Interrupt Mask Register 1
IMR2	R	Interrupt Mask Register 2
IMR3	R	Interrupt Mask Register 3
IN	B	Data Direction Transfer bit
INT	B	Interrupt Request Pin bit
INT0	B	Interrupt Register 0 Interrupt bit
INT1	B	Interrupt Register 1 Interrupt bit
INTEN	B	Interrupt Enable bit
INTR	R	Board Interrupt Register
INTSRC2	B	Interrupt Source 2 bit
INTSRC2 IE	B	Interrupt Source 2 Interrupt Enable bit
IOCHRDY	P	ISA Pin
IORN	P	ISA Pin
IOWN	P	ISA Pin
ISR0	R	Interrupt Status Register 0
ISR1	R	Interrupt Status Register 1
ISR2	R	Interrupt Status Register 2
ISR3	R	Interrupt Status Register 3
ISS	B	Individual Status Select bit
ist	A	Parallel Poll Flag auxiliary command
ist	LM	Individual Status

K

KCR	R	Key Control Register
KEYCLK	B	Key Clock bit
KEYDATA	B	Key Data bit
KEYDATEN	B	Key Data Enable bit
KEYDQ	B	Key Data bit
KEYREG	R	Key Control Register
KEYRST*	B	Key Reset bit

<u>Mnemonic</u>	<u>Type</u>	<u>Definition</u>
L		
L	F	Listen
LA	B	Listener Active bit
LACS	ST	Listener Active State
LADCS	ST	Listener Addressed Or Active State
LADS	ST	Listener Addressed State (L function)
LAG	RM	Listener Address Group
LE3	F	Extended Listener
LIDS	ST	Listener Idle State
LLO	B	Local Lockout bit
LLOC	B	Local Lockout Change bit
LLOC IE	B	Local Lockout Change Interrupt Enable bit
LOCS	ST	Local State
LOK	B	Lockout bit
LOKC	B	Lockout Change bit
LOKC IE	B	Lockout Change Interrupt Enable bit
lon	B	Listen-Only bit
lon	LM	Listen Only
LPAS	B	Listener Primary Addressed State bit
LPAS	ST	Listener Primary Addressed State
LPIS	ST	Listener Primary Idle State
lul	A	Unlisten auxiliary command
lun	LM	Local Unlisten
lut	A	Local Untalk auxiliary command
LWLS	ST	Local With Lockout State

M

MA	B	My Address bit
MA IE	B	My Address Interrupt Enable bit
MAC	B	My Address Change bit
MAC IE	B	My Address Change Interrupt Enable bit
MISC	R	Miscellaneous Register
MJMN	B	Major–Minor bit
MLA	RM	My Listen Address
MODE	B	MODE bit
MSA	RM	My Secondary Address
MSTD	B	Modify Short T1 Delay bit
MTA	RM	My Talk Address

<u>Mnemonic</u>	<u>Type</u>	<u>Definition</u>
N		
nba	B	New Byte Available local message bit
nba	LM	New Byte Available
nbaF	A	New Byte Available False auxiliary command
nbaF	B	New Byte Available False bit
NDAC	B	Not Data Accepted bit
NEF	B	Not Empty FIFO bit
NEF IE	B	Not Empty FIFO Interrupt Enable bit
NFF	B	Not Full FIFO bit
NFF IE	B	Not Full FIFO Interrupt Enable bit
NL	B	New Line Receive bit
NL IE	B	New Line Receive Interrupt Enable bit
NLEE	B	New Line End Enable bit
NOAS	B	No HALT On ATN Or STBQ Interrupts bit
NODMA	B	No DMA bit
Nonvalid	B	Nonvalid auxiliary command issued
NOTS	B	No HALT On TO And SRQ Interrupts bit
NO_TSETUP	B	No TSETUP Delay bit
NPRS	ST	Negative Poll Response State
NRF	RM	Not Ready For Data Message
NRF*	B	GPIB Not Ready For Data Status bit
NTNL	B	No Talking When No Listener bit
O		
ONEC	B	One-Chip bit
OSA	RM	Other Secondary Address
OTA	RM	Other Talk Address
P		
P1	B	Parallel Poll Response bit 1
P2	B	Parallel Poll Response bit 2
P3	B	Parallel Poll Response bit 3
PACS	ST	Parallel Poll Addressed To Configure state
PCG	RM	Primary Command Group
PEND	B	Pending bit
piacr	A	Page-In Accessory Register auxiliary command
pibcr	A	Page-In Bus Control Register auxiliary command
pieosr	A	Page-In End-of-String Register auxiliary command
piimr2	A	Page-In Interrupt Mask Register 2 auxiliary command
PMT		Programmed Message Terminator

Mnemonic	Type	Definition
PMT_W_EOS		PMT signal is asserted with EOS
pon	LM	Power On
PPC	RM	Parallel Poll Configure
PPD	RM	Parallel Poll Disable
PPE	RM	Parallel Poll Enable
PPIS	ST	Parallel Poll Idle State
PPR	R	Parallel Poll Register
PPR	RM	Parallel Poll Response
PPSS	ST	Parallel Poll Standby Active
PPU	RM	Parallel Poll Unconfigure
PT1	R	Programmable T1 Register
PT1_ENA	B	Programmable T1 enable
pts	A	Pass Through Next Secondary auxiliary command
PTS	LM	Pass Through Next Secondary local message
PUCS	ST	Parallel Poll Unaddressed To Configure state

R

RDN	P	Read Pin
rdy	LM	Ready For Next Message
RDY1	P	Ready Pin
REM	B	Remote bit
REMC	B	Remote Change bit
REMC IE	B	Remote Change Interrupt Enable bit
REMS	ST	Remote State
REN	RM	Remote Enable
REOS	B	End On EOS Received bit
reqf	A	Request rsv False auxiliary command
reqt	A	Request rsv True auxiliary command
RESET FIFO	B	Reset FIFO Command bit
RESETN	P	Reset Pin
RFD	RM	Ready For Data
rhdf	B	Release RFD Holdoff
RL1	F	Remote/Local
rlc	B	Release Control command
RLC	B	Remote/Local Change bit
RLC IE	B	Remote/Local Change Interrupt Enable bit
rqc	B	Request Control command
RQS	RM	Request Service
rsv	B	Request Service bit
rsv	LM	Request Service
rsv2	A	Request Service Bit 2 auxiliary command
rtl	A	Return To Local auxiliary command
RWLS	ST	Remote With Lockout State

<u>Mnemonic</u>	<u>Type</u>	<u>Definition</u>
S		
S	B	Status Bit Polarity (Sense) bit
SASR	R	Source Acceptor Status Register
SCG	RM	Secondary Command Group
SDC	RM	Selected Device Clear
SDYS	ST	Source Delay State
SDYS1	ST	Source Delay State 1
SDYS2	ST	Source Delay State 2
seoi	A	Send EOI auxiliary command
SGNS	ST	Source Generate State
SH1	F	Source Handshake function
SH1A	B	Source Handshake State bit A
SH1B	B	Source Handshake State bit B
SHAS	ST	Source High-Speed Active State
SH_CNT	R	SH_CNT Register
SIDS	ST	Source Idle State
SISB	B	Static Interrupt Status bits
SLOW	B	Slow Handshake Lines
SOFT RESET	B	Soft Reset Command bit
SPAS	ST	Serial Poll Active State
SPAS IE	B	Serial Poll Active State Interrupt Enable bit
SPD	RM	Serial Poll Disable
SPE	RM	Serial Poll Enable
SPEOI	B	Send Serial Poll EOI bit
SPIS	ST	Serial Poll Idle State
SPMR	R	Serial Poll Mode Register
SPMS	B	Serial Poll Mode State bit
SPMS	ST	Serial Poll Mode State
SPSR	R	Serial Poll Status Register
SR1	F	Service Request function
SRAS	ST	System Control Remote Enable Active State
SRQ	RM	Service Request
SRQS	ST	Service Request State
STB	RM	Status Byte
STBO	B	Status Byte Out bit
STBO IE	B	Status Byte Out Interrupt Enable bit
stdl	A	Set Short T1 Delay auxiliary command
STOP	B	Turbo488 Transfer State Machine Status bit
STOP IE	B	STOP Interrupt Enable bit
STRS	ST	Source Transfer State
STS1	R	Status 1 Register
STS2	R	Status 2 Register
sw7210	A	Switch To Turbo+7210 Mode auxiliary command
SWAP	B	SWAP bit
SWAPN	P	SWAP Pin

Mnemonic	Type	Definition
swrst	B	Software Reset auxiliary command issued
SYNC	B	GPIB Synchronization bit
SYNC IE	B	GPIB Synchronization Interrupt Enable bit
SYNS	ST	Synchronization state

T

T	F	Talker
T12	R	T12 Register
T13	R	T13 Register
T17	R	T17 Register
TA	B	Talker Active bit
TACS	ST	Talker Active State (T function)
TADCS	ST	Talker Active Or Addressed State
TADS	ST	Talker Addressed State
TAG	RM	Talk Address Group
TCT	RM	Take Control
TE	F	Extended Talker
TE5	F	Talker Extended
TIDS	ST	Talker Idle State
TIM/BYTN	B	Time Or Byte Limit bit
TIMER	R	Timer Register
TLC	IC	Talker/Listener/Controller (GPIB Adapter)
TLCHLTE	B	TLC (GPIB Adapter) Halt Enable bit
TLCINT	B	NAT4882 Interrupt Line bit
TLCINT IE	B	NAT4882 Interrupt Line Interrupt Enable bit
TMOE	B	Timer Timeout Enable bit
TO	B	Timeout bit
TO IE	B	Timeout Interrupt Enable bit
ton	LM	Talk Only
ton	B	Talk-Only bit
TPAS	B	Talker Primary Addressed State bit
TPAS	ST	Talker Primary Addressed State
TPIS	ST	Talker Primary Idle State
TRI	B	Three-State Timing bit
trig	A	Trigger auxiliary command

U

U	B	Unconfigure bit
UCG	RM	Universal Command Group
UDPCF	RM	Undefined Primary Command Function
ulpa	B	Upper/Lower Primary Address bit

<u>Mnemonic</u>	<u>Type</u>	<u>Definition</u>
UNC	B	Unrecognized Command bit
UNC IE	B	Unrecognized Command Interrupt Enable bit
unl	A	Unlisten auxiliary command
UNL	RM	Unlisten command
unt	A	Untalk auxiliary command
UNT	RM	Untalk command
USTD	B	Ultra Short T1 Delay bit

V

valid	B	Valid auxiliary command
vstdl	A	Very Short T1 Delay auxiliary command

W

WRAP	B	Wrap Back bit
WRN	P	Write Pin

X

X	B	Don't Care bit
XEOS	B	Transmit END With EOS bit
XTALI	P	Crystal In Pin
XTALO	P	Crystal Out Pin

Appendix H

Customer Communication

For your convenience, this appendix contains forms to help you gather the information necessary to help us solve technical problems you might have as well as a form you can use to comment on the product documentation. Filling out a copy of the *Technical Support Form* before contacting National Instruments helps us help you better and faster.

National Instruments provides comprehensive technical assistance around the world. In the U.S. and Canada, applications engineers are available Monday through Friday from 8:00 a.m. to 6:00 p.m. (central time). In other countries, contact the nearest branch office. You may fax questions to us at any time.

Corporate Headquarters

(512) 795-8248

Technical support fax: (800) 328-2203
(512) 794-5678

Branch Offices	Phone Number	Fax Number
Australia	03 9 879 9179	03 9 879 9422
Austria	0662 45 79 90 19	0662 45 79 90 0
Belgium	02 757 03 11	02 757 00 20
Denmark	45 76 71 11	45 76 26 00
Finland	90 502 2930	90 527 2321
France	1 48 14 24 14	1 48 14 24 24
Germany	089 714 60 35	089 741 31 30
Hong Kong	2686 8505	2645 3186
Italy	02 48301915	02 48301892
Japan	03 5472 2977	03 5472 2970
Korea	02 596 7455	02 596 7456
Mexico	5 202 2544	5 520 3282
Netherlands	03480 30673	03480 33466
Norway	32 84 86 00	32 84 84 00
Singapore	2265887	2265886
Spain	91 640 0533	91 640 0085
Sweden	08 730 43 70	08 730 49 70
Switzerland	056 20 51 55	056 20 51 51
Taiwan	02 737 4644	02 377 1200
U.K.	01635 523154	01635 523545

Technical Support Form

Technical support is available at any time by fax. Include the information from your configuration form. Use additional pages if necessary.

Name _____

Company _____

Address _____

Fax (___) _____ Phone (___) _____

Computer brand _____

Model _____ Processor _____

Operating system _____

Speed _____ MHz RAM _____ MB

Display adapter _____

Mouse _____ yes _____ no

Other adapters installed _____

Hard disk capacity _____ MB Brand _____

Instruments used _____

National Instruments hardware product(s) _____

Revision _____

Configuration _____

(continues)

The problem is _____

List any error messages _____

The following steps will reproduce the problem _____

TNT4882 Hardware Configuration Form

Record the settings and revisions of your hardware and software on the line to the right of each item. Update this form each time you revise your software or hardware configuration, and use this form as a reference for your current configuration.

National Instruments Products

- Software Revision Number on Disk _____
- TNT4882 Evaluation Board Revision _____

- Board Settings:

Base I/O Address	Interrupt Level	DMA Channel
_____	_____	_____
_____	_____	_____

- Shield Ground Connected to Logic Ground (Yes or No) _____

Other Products

- Computer Make and Model _____
- Microprocessor _____
- Clock Frequency _____
- Type of Monitor Card Installed _____
- Software Name and Version _____
- Application Programming Language (BASIC, C, Pascal, and so on) _____
- Other Boards in System _____

Glossary

Prefix	Meaning	Value
p-	pico-	10^{-12}
n-	nano-	10^{-9}
μ -	micro-	10^{-6}
m-	milli-	10^{-3}
M-	mega-	10^6

ANSI	American National Standards Institute
ASIC	application-specific integrated circuit
C0	No Controller capability
CPU	central processing unit
DACK	DMA Acknowledge
DMA	direct memory access
DRQ	DMA Request
EOI	End-or-Identify
EOS	End-of-String
ESP	Engineering Software Package
F	Farads
GPIB	General Purpose Interface Bus
hex	hexadecimal
Hz	hertz
IEEE	Institute of Electrical and Electronic Engineers
I/O	input/output
ISA	Industry Standard Architecture
m	meters
MB	megabytes of memory
NL	New Line
s	seconds
TL	Talker/Listener
W	watts

Index

Numbers/Symbols

16/8N bit

Configuration Register (CFG), 3-68

Status 2 Register (STS2), 3-132

A

A[5-1] bit, Address Register (ADR), 3-23

A/BN bit, Configuration Register (CFG), 3-66

ABUSN signal, 5-3

ABUS_OEN signal, 5-3

acceptor handshake holdoffs in one-chip mode

DAC holdoffs, 4-16 to 4-17

GPIB rdy message and RFD holdoffs, 4-15 to 4-16

Accessory Register (ACCR) offset (table), 3-9

Accessory Register A (ACCRA), 3-12

Accessory Register B (ACCRB), 3-13

Accessory Register E (ACCRE), 3-14

Accessory Register F (ACCRF), 3-15

Accessory Register I (ACCRI), 3-16

Accessory Register J (ACCRJ), 3-17 to 3-18

Accessory Write Register (ACCWR), 3-19

ACCWR (Accessory Write Register), 3-19

ACRDY bit, Source/Acceptor Status Register (SASR), 3-124

AD[5-0 -- 1-0] bits, Address Register 0 (ADR0), 3-24

AD[5-1] bit, ADR (Address Register), 3-22

AD[5-1 -- 1-1] bits, Address Register 1 (ADR1), 3-25

ADDR4-0 pins

generic pin configuration, 5-3

ISA pin configuration, 6-3

ADDR9-5 pin, 6-3

Address Mode Register (ADMR), 3-20 to 3-21

addressing modes

extended dual addressing, 3-21

extended single addressing, 3-20

listen only (lon), 3-21

no addressing, 3-20

normal dual addressing, 3-20

talk only (ton), 3-21

Address Register (ADR)

one-chip mode, Turbo+7210 mode, 3-22

Turbo+9914 mode, 3-23

Address Register 0 (ADR0)

description, 3-24

hidden registers (table), 3-4

Address Register 1 (ADR1)

description, 3-25

hidden registers (table), 3-4

Address Status Register (ADSR)

Turbo+7210 mode, 3-26 to 3-28

Turbo+9914 mode, 3-29 to 3-31

addressing, GPIB. *See* GPIB addressing.

ADHS bit, Source/Acceptor Status Register (SASR), 3-124

ADMR (Address Mode Register). *See* Address Mode Register (ADMR).

ADR (Address Register)

one-chip mode, Turbo+7210 mode, 3-22

Turbo+9914 mode, 3-23

ADR0 (Address Register 0)

description, 3-24

hidden registers (table), 3-4

Index

- ADR1 (Address Register 1)
 - description, 3-25
 - hidden registers (table), 3-4
- ADSC bit, Interrupt Status Register 2 (ISR2), 3-106
- ADSC IE bit, Interrupt Mask Register 2 (IMR2), 3-106
- ADSR (Address Status Register)
 - Turbo+7210 mode, 3-26 to 3-28
 - Turbo+9914 mode, 3-29 to 3-31
- AEFN bit, Status 2 Register (STS2), 3-132
- AEHS bit, Source/Acceptor Status Register (SASR), 3-124
- AEN_N pin, 6-3
- AFFN bit, Status 2 Register (STS2), 3-132
- ANHS1 bit, Source/Acceptor Status Register (SASR), 3-124
- ANHS2 bit, Source/Acceptor Status Register (SASR), 3-124
- ANSI/IEEE standard. *See* IEEE 488.1 standard.
- APT bit, Interrupt Status Register 1 (ISR1)
 - one-chip mode, Turbo+7210 mode, 3-93 to 3-94
 - Turbo+9914 mode, 3-100
- APT IE bit, Interrupt Mask Register 1 (IMR1)
 - one-chip mode, Turbo+7210 mode, 3-93 to 3-94
 - Turbo+9914 mode, 3-100
- ARS bit, ADR (Address Register), 3-22
- ATN bit
 - Address Status Register (ADSR), 3-29
 - Bus Control Register (BCR)/Bus Status Register (BSR), 3-63
- ATN* bit, Address Status Register (ADSR), 3-26
- ATN (Attention) line, GPIB, C-9
- ATNI bit
 - Interrupt Status Register 0 (ISR0), 3-87
 - Interrupt Status Register 2 (ISR2), 3-109
- ATNI IE bit
 - Interrupt Mask Register 0 (IMR0), 3-87
 - Interrupt Mask Register 2 (IMR2), 3-109
- Attention (ATN) line, GPIB, C-9
- Auxiliary Command Register (AUXCR), 3-32 to 3-40
 - Chip Reset (ch_rst), 3-38
 - Clear DAC Holdoff (nonvalid), 3-34
 - Clear DAC Holdoff (valid), 3-34
 - Clear Disable IMR2, IMR1, And IMR0 Interrupts (dai), 3-36
 - Clear Force Group Execute Trigger (~fget), 3-35
 - Clear Holdoff On All Data (~hdfa), 3-34
 - Clear Holdoff On END Only (~hdfe), 3-35
 - Clear Listen Only (~lon), 3-36
 - Clear Page-In Registers (clrpi), 3-40
 - Clear Parallel Poll Flag (~ist), 3-39
 - Clear Return to Local (~rtl), 3-35
 - Clear Short T1 Delay (~stdl), 3-37
 - Clear Software Reset (~swrst), 3-34
 - Clear Talk Only (~ton), 3-36
 - Clear Very Short T1 Delay (~vstdl), 3-37
 - New Byte Available False

- (nbaf), 3-35
- Page-In Accessory Register (piaccr), 3-40
- Page-In Bus Register (pibcr), 3-39
- Page-In End-of-String Registers (pieosr), 3-40
- Page-In Interrupt Mask Register 2 (piimr2), 3-39
- Pass Through Next Secondary (pts), 3-37
- Release RFD Holdoff (rhdf), 3-34
- Request rsv False (reqf), 3-38
- Request rsv True (reqt), 3-38
- Send EOI With The Next Byte (feoi), 3-36
- Set Disable IMR2, IMR1, And IMR0 Interrupts (dai), 3-36
- Set Force Group Execute Trigger (fget), 3-35
- Set Holdoff On All Data (hdfa), 3-34
- Set Holdoff On END Only (hdfe), 3-35
- Set Listen Only (lon), 3-36
- Set Parallel Poll Flag (ist), 3-39
- Set Return to Local (rtl), 3-35
- Set Short T1 Delay (stdl), 3-37
- Set Software Reset (swrst), 3-34
- Set Talk Only (ton), 3-36
- Set Very Short T1 Delay (vstdl), 3-37
- summary of commands (table), 3-32 to 3-33
- Switch To 7210 Mode (sw7210), 3-38
- Auxiliary Mode Register (AUXMR), 3-41 to 3-50
 - Chip Reset, 3-45
 - Clear ADSC, 3-49
 - Clear ATNI, 3-49
 - Clear DEC, 3-49
 - Clear DET, 3-48
 - Clear END, 3-49
 - Clear ERR, 3-49
 - Clear IFCI, 3-49
 - Clear LOKC, 3-49
 - Clear Parallel Poll Flag (ist), 3-44
 - Clear REMC, 3-49
 - Clear SYNC, 3-50
 - Finish Handshake (rhdf), 3-45
 - hidden registers (table), 3-4 to 3-5
 - Immediate Execute Power-On (pon), 3-44
 - Immediate Holdoff, 3-48
 - New Byte Available False (nbaf), 3-47
 - Nonvalid Secondary Command Or Address (nonvalid), 3-46
 - Page-In Additional Registers (page-in), 3-48
 - Request rsv True (reqt), 3-48
 - Return to Local (rtl), 3-46
 - Send EOI (seoi), 3-46
 - Set Parallel Poll Flag (ist), 3-44
 - Set SYNC, 3-50
 - summary of commands (table), 3-42 to 3-43
 - Switch to 9914A Mode, 3-47
 - Trigger (trig), 3-46
 - Unlisten (lul), 3-47
 - Untalk (lut), 3-46
 - Valid Secondary Command Or Address (valid), 3-47
- Auxiliary Register A (AUXRA), 3-51 to 3-52
- Auxiliary Register B (AUXRB), 3-53 to 3-54
- Auxiliary Register E (AUXRE), 3-55

Index

Auxiliary Register F (AUXRF), 3-56
Auxiliary Register G (AUXRG), 3-57
to 3-58
Auxiliary Register I (AUXRI), 3-59
to 3-60
Auxiliary Register J (AUXRJ), 3-61
to 3-62

B

BBUS_OEN signal, 5-3
BBUSN signal, 5-3
BCR (Bus Control Register)/BSR (Bus
Status Register), 3-63
BEFN bit, Status 2 Register
(STS2), 3-132
BFFN bit, Status 2 Register (STS2), 3-132
BHEN_N signal, 6-3
BI bit, Interrupt Status Register 0
(ISR0), 3-89
BI IE bit, Interrupt Mask Register 0
(IMR0), 3-89
BIN bit
 Accessory Register A
 (ACCRA), 3-12
 Auxiliary Register A
 (AUXRA), 3-51
bit descriptions
 8-bit *versus* 16-bit accesses, 3-10
 16/8N, 3-68, 3-132
 9914 and 7210 registers with
 identical names, 3-11
 A[5-1], 3-23
 A/BN, 3-66
 ACRDY, 3-124
 AD[5-0 -- 1-0], 3-24
 AD[5-1], 3-22
 AD[5-1 -- 1-1], 3-25
 ADHS, 3-124
 ADSC, 3-106
 ADSC IE, 3-106
 AEFN, 3-132
 AEHS, 3-124
 AFFN, 3-132
 ANHS1, 3-124
 ANHS2, 3-124
 APT, 3-93 to 3-94, 3-100
 APT IE, 3-93 to 3-94, 3-100
 ARS, 3-22
 ATN, 3-29, 3-63
 ATN*, 3-26
 ATNI, 3-87, 3-109
 ATNI IE, 3-87, 3-109
 BEFN, 3-132
 BFFN, 3-132
 BI, 3-89
 BI IE, 3-89
 BIN, 3-12, 3-51
 BO, 3-89
 BO IE, 3-89
 BTO, 3-86, 3-109
 CCEN, 3-67
 CHES, 3-58
 CPT, 3-92
 CPT ENABLE, 3-54
 CPT IE, 3-92
 dal, 3-23
 dat, 3-23
 DAV, 3-63, 3-130
 DCAS, 3-101
 DCAS IE, 3-101
 DEC, 3-95
 DEC IE, 3-95
 DET, 3-94
 DET IE, 3-94
 DG[A-B], 3-81

DHADC, 3-14, 3-55
DHADT, 3-14, 3-55
DHALA, 3-15, 3-56
DHALL, 3-15, 3-56
DHATA, 3-15, 3-56
DHDC, 3-55
DHDT, 3-55
DHUNTL, 3-15, 3-56
DI, 3-97
DI IE, 3-97
DIO[8-0], 3-75
DIO[8-1], 3-77
DL, 3-22
DL0, 3-24
DL1, 3-25
DMAE, 3-16
DMAEN, 3-19
DMAI, 3-89, 3-105
DMAO, 3-88, 3-104 to 3-105
DO, 3-96 to 3-97
DO IE, 3-96 to 3-97
DONE, 3-113, 3-129
DONE IE, 3-113
DRQ, 3-129
DT, 3-22
DT0, 3-24
DT1, 3-25
edpa, 3-23
END, 3-90
END IE, 3-90, 3-94 to 3-95
END RX, 3-94 to 3-95
EOI, 3-25, 3-63
EOS, 3-86, 3-109
EOS[7-0], 3-78
ERR, 3-95 to 3-96, 3-99
ERR IE, 3-95 to 3-96, 3-99
GET, 3-98 to 3-99
GET IE, 3-98 to 3-99
GO2SIDS, 3-83
GSYNC, 3-130 to 3-131
HALT, 3-130
HLDA, 3-52
HLDE, 3-52
HSE, 3-117
IFC, 3-63, 3-102
IFC IE, 3-102
IFCI, 3-86
IFCI IE, 3-86
IN, 3-66, 3-129
INT, 3-103 to 3-104, 3-111
INT0, 3-88
INT1, 3-89
INTEN, 3-114
INTSRC2, 3-112
INTSRC2 IE, 3-112
ISS, 3-13, 3-53
KEYCLK, 3-115
KEYDATA, 3-116
KEYDATEN, 3-116
KEYDQ, 3-74
KEYRST*, 3-116
LA, 3-27, 3-30
LLO, 3-29
LLOC, 3-109
LLOC IE, 3-109
LOK, 3-104
LOKC, 3-105
LOKC IE, 3-105
LPAS, 3-27, 3-29
MA, 3-101
MA IE, 3-101
MAC, 3-91
MAC IE, 3-91
MJMN, 3-28
MODE, 3-74
MSTD, 3-115

Index

nba, 3-84 to 3-85, 3-107, 3-124
NDAC, 3-63
NEF, 3-112
NEF IE, 3-112
NFF, 3-112
NFF IE, 3-112
NL, 3-85, 3-108
NLEN, 3-86, 3-109
NOAS, 3-118
NODMA, 3-83
NOTS, 3-118
NO_TSETUP, 3-81 to 3-82
NRFD, 3-63
NTNL, 3-57 to 3-58
ONEC, 3-83
P[3-1], 3-120
PEND, 3-128
PMT_W_EOS, 3-82
PP1, 3-16
PP2, 3-59
PP8-PP1, 3-122
PT1_[4-0], 3-123
PT1_ENA, 3-123
REM, 3-29, 3-104
REMC, 3-105 to 3-106
REMC IE, 3-105 to 3-106
REN, 3-63
REOS, 3-12, 3-52
RLC, 3-90
RLC IE, 3-90
rsv/RQS, 3-128
S, 3-120
S[6-1], 3-127 to 3-128
S8, 3-127
SH1A SH1B, 3-125
SISB, 3-60
SLOW, 3-117 to 3-118
SPAS, 3-90
SPAS IE, 3-90
SPEOI, 3-13, 3-54
SPMS, 3-26
SRQ, 3-63
STBO, 3-85, 3-108
STBO IE, 3-108
STOP, 3-112, 3-129 to 3-130
STOP IE, 3-112
SWAP, 3-9 to 3-10, 3-115
SYNC, 3-87
SYNC IE, 3-87
T12_[4-0], 3-133
T17_[4-0], 3-135
TA, 3-27 to 3-28, 3-30 to 3-31
TIM/BYTN, 3-67 to 3-68
TLCHLTE, 3-66
TLCINT, 3-113
TLCINT IE, 3-113
TM[3-0], 3-17 to 3-18
TMOE, 3-67
TO, 3-87, 3-110
TO IE, 3-87, 3-110
TPAS, 3-27, 3-30
TRI, 3-54
U, 3-119
ulpa, 3-31
UNC, 3-99 to 3-100
UNC IE, 3-99 to 3-100
USTD, 3-16, 3-59
V[3-0], 3-74
WRAP, 3-118
XEOS, 3-12, 3-51
BO bit, Interrupt Status Register 0 (ISR0), 3-89
BO IE bit, Interrupt Mask Register 0 (IMR0), 3-89
Board Interrupt Register (INTR), 3-114
BTO bit

- Interrupt Mask Register 0 (IMR0), 3-86
 - Interrupt Mask Register 2 (IMR2), 3-109
 - BURST_RDN pin, 5-5
 - Bus Control Register (BCR)/Bus Status Register (BSR), 3-63
- C**
- capabilities of INT4882 interface (table), 1-1 to 1-2
 - Carry Cycle Register (CCR), 3-64
 - CCEN bit, Configuration Register (CFG), 3-67
 - CCR (Carry Cycle Register), 3-64
 - CDOR (Command/Data Out Register), 3-65
 - CHES bit, Auxiliary Register G (AUXRG), 3-58
 - chip initialization, 4-1 to 4-3
 - configuring TNT4882
 - clearing local power-on message, 4-3
 - GPIB operation, 4-2 to 4-3
 - one-chip mode, 4-2
 - placing TNT4882 in Turbo+7210 mode, 4-1 to 4-2
 - resetting Turbo488 circuitry, 4-1
 - Chip Reset (ch_rst) command, AUXCR, 3-38
 - Chip Reset command, AUXMR, 3-45
 - Chip Signature Register (CSR), 3-74
 - Clear ADSC command, 3-49
 - Clear ATNI command, 3-49
 - Clear DAC Holdoff (nonvalid) command, 3-34
 - Clear DAC Holdoff (valid)
 - command, 3-34
 - Clear DEC command, 3-49
 - Clear DET command, 3-48
 - Clear Disable IMR2, IMR1, And IMR0 Interrupts (dai) command, 3-36
 - Clear END command, 3-49
 - Clear ERR command, 3-49
 - Clear Force Group Execute Trigger (~fget) command, 3-35
 - Clear Holdoff On All Data (~hdfa) command, 3-34
 - Clear Holdoff On END Only (~hdfe) command, 3-35
 - Clear IFCI command, 3-49
 - Clear Listen Only (~lon) command, 3-36
 - Clear LOKC command, 3-49
 - Clear Page-In Registers (clrpi) command, 3-40
 - Clear Parallel Poll Flag (ist) command
 - Auxiliary Command Register (AUXCR), 3-39
 - Auxiliary Mode Register (AUXMR), 3-44
 - Clear REMC command, 3-49
 - Clear Request Service bit 2 (~rsv2) command, 3-37
 - Clear Return to Local (~rtl) command, 3-35
 - Clear Short T1 Delay (~stdl) command, 3-37
 - Clear Software Reset (~swrst) command, 3-34
 - Clear SYNC command, 3-50
 - Clear Talk Only (~ton) command, 3-36
 - Clear Very Short T1 Delay (~vstdl) command, 3-37
 - clearing devices, C-28
 - clrpi (Clear Page-In Registers)

Index

- command, 3-40
 - CMDR. *See* Command Register (CMDR).
 - CNT0 (Count 0 Register), 3-71
 - CNT1 (Count 1 Register), 3-71
 - CNT2 (Count 2 Register), 3-71
 - CNT3 (Count 3 Register), 3-71
 - command messages, GPIB. *See also* messages, GPIB.
 - data and command messages, C-17
 - unaddressing, C-19
 - Command Pass Through Register (CPTR), 3-73
 - Command Register (CMDR)
 - GO, 3-69
 - RESET FIFO, 3-70
 - SOFT RESET, 3-70
 - STOP, 3-70
 - Command/Data Out Register (CDOR), 3-65
 - commands. *See* Auxiliary Command Register (AUXCR); Auxiliary Mode Register (AUXMR); Standard Commands for Programmable Instrumentation (SCPI).
 - Configuration Register (CFG), 3-66 to 3-68
 - Controller. *See* GPIB Controller.
 - count registers
 - 16-bit mode, 3-72
 - 32-bit mode, 3-72
 - Count 0 Register (CNT0), 3-71
 - Count 1 Register (CNT1), 3-71
 - Count 2 Register (CNT2), 3-71
 - Count 3 Register (CNT3), 3-71
 - description, 3-72
 - count termination method, GPIB, C-20 to C-21
 - CPT bit, Interrupt Status Register 1 (ISR1), 3-92
 - CPT ENABLE bit, Auxiliary Register B (AUXRB), 3-54
 - CPT IE bit, Interrupt Mask Register 1 (IMR1), 3-92
 - CPT[7-0] bits, Command Pass Through Register (CPTR), 3-73
 - CPTR (Command Pass Through Register), 3-73
 - CPUACC pin, 5-3 to 5-4
 - crystal oscillator, 5-9
 - CSN pin, 5-3
 - CSR (Chip Signature Register), 3-74
 - customer communication, xvii, H-1
- ## D
- D15_8_OEN and D7_0_OEN signals, 6-2
 - DAC holdoffs, 4-16 to 4-17
 - DACKN pin
 - generic pin configuration, 5-5
 - ISA pin configuration, 6-4
 - \sim dai (Clear Disable IMR2, IMR1, And IMR0 Interrupts) command, 3-36
 - dai (Set Disable IMR2, IMR1, And IMR0 Interrupts) command, 3-36
 - dal bit, Address Register (ADR), 3-23
 - dat bit, Address Register (ADR), 3-23
 - data and command messages. *See* command messages, GPIB.
 - data bus control signals
 - generic pin configuration, 5-3 to 5-5
 - ABUSN and BBUSN, 5-3
 - ABUS_OEN and BBUS_OEN, 5-3
 - ISA pin configuration
 - BHEN_N, 6-3

- D15_8_OEN and D7_0_OEN, 6-2
- data buses, 5-1 to 5-2
 - generic pin configuration
 - 8-bit DMA accesses, 5-2
 - 8-bit I/O accesses, 5-1
 - 16-bit DMA accesses, 5-2
 - 16-bit I/O accesses, 5-2
 - byte lane table (I/O accesses), 5-2
 - ISA pin configuration
 - DATA7-0, 6-2
 - DATA15-8, 6-1 to 6-2
- Data In Register (DIR), 3-76
- data lines, GPIB, C-7
- data messages, GPIB, C-17. *See also* messages, GPIB.
- data transfers. *See* GPIB data transfers.
- Data Valid (DAV) line, GPIB, C-12
- DATA15-8 and DATA7-0 signals, 6-1 to 6-2
- DAV bit
 - Bus Control Register (BCR)/Bus Status Register (BSR), 3-63
 - Status 1 Register (STS1), 3-130
- DCAS bit, Interrupt Status Register 1 (ISR1), 3-101
- DCAS IE bit, Interrupt Mask Register 1 (IMR1), 3-101
- DCAS--Device Clear pin, 5-8
- DCR (DIO Control Register), 3-75
- DEC bit, Interrupt Status Register 1 (ISR1), 3-95
- DEC IE bit, Interrupt Mask Register 1 (IMR1), 3-95
- DET bit, Interrupt Status Register 1 (ISR1), 3-94
- DET IE bit, Interrupt Mask Register 1 (IMR1), 3-94
- device status reporting, 4-13 to 4-15. *See also* parallel polling; serial polling.
 - requesting service, 4-13
 - responding to parallel polls, 4-14 to 4-15
 - responding to serial polls, 4-14
- devices
 - addressing. *See* GPIB addressing.
 - clearing, 4-20, C-28
 - triggering, 4-20, C-28
- DG[A-B] bits, High-Speed Enable Register (HIER), 3-81
- DHADC bit
 - Accessory Register E (ACCRE), 3-14
 - Auxiliary Register E (AUXRE), 3-55
- DHADT bit
 - Accessory Register E (ACCRE), 3-14
 - Auxiliary Register E (AUXRE), 3-55
- DHALA bit
 - Accessory Register F (ACCRF), 3-15
 - Auxiliary Register F (AUXRF), 3-56
- DHALL bit
 - Accessory Register F (ACCRF), 3-15
 - Auxiliary Register F (AUXRF), 3-56
- DHATA bit
 - Accessory Register F (ACCRF), 3-15
 - Auxiliary Register F (AUXRF), 3-56
- DHDC bit, Auxiliary Register E (AUXRE), 3-55
- DHDT bit, Auxiliary Register E (AUXRE), 3-55
- DHUNTLE bit

Index

- Accessory Register F (ACCRF), 3-15
- Auxiliary Register F (AUXRF), 3-56
- DI bit, Interrupt Status Register 1 (ISR1), 3-97
- DI IE bit, Interrupt Mask Register 1 (IMR1), 3-97
- DIO Control Register (DCR), 3-75
- DIO Status Register (DSR), 3-77
- DIO[8-0] bits, DIO Control Register (DCR), 3-75
- DIO[8-1] bits
 - Command/Data Out Register (CDOR), 3-65
 - Data In Register (DIR), 3-76
 - DIO Status Register (DSR), 3-77
- DIR (Data In Register), 3-76
- discrete oscillator circuit
 - component values (table), 3-10
 - quartz crystal specifications (table), 3-10
 - recommended circuit for third overtone mode crystal (illustration), 3-9
- DL bit, ADR (Address Register), 3-22
- DL0 bit, Address Register 0 (ADR0), 3-24
- DL1 bit, Address Register 1 (ADR1), 3-25
- DMA accesses. *See* data buses.
- DMAE bit, Accessory Register I (ACCRI), 3-16
- DMAEN bit, Accessory Write Register (ACCWR), 3-19
- DMAI bit
 - Interrupt Mask Register 0 (IMR0), 3-89
 - Interrupt Mask Register 2 (IMR2), 3-105
- DMAO bit
 - Interrupt Mask Register 0 (IMR0), 3-88
 - Interrupt Mask Register 2 (IMR2), 3-104 to 3-105
- DO bit, Interrupt Status Register 1 (ISR1), 3-96 to 3-97
- DO IE bit, Interrupt Mask Register 1 (IMR1), 3-96 to 3-97
- documentation
 - conventions used in manual, *xvi*
 - mnemonics key, G-1 to G-13
 - organization of manual, *xv-xvi*
 - related documentation, *xvi-xvii*
- DONE bit
 - Interrupt Status Register 3 (ISR3), 3-113
 - Status 1 Register (STS1), 3-129
- DONE IE bit, Interrupt Mask Register 3 (IMR3), 3-113
- DRQ bit, Status 1 Register (STS1), 3-129
- DRQ pin
 - asserting at low clock frequencies, B-4
 - generic pin configuration, 5-5
 - ISA pin configuration, 6-3 to 6-4
- DS1204 key
 - reading, 4-21
 - writing, 4-21
- DSR (DIO Status Register), 3-77
- DT bit, ADR (Address Register), 3-22
- DT0 bit, Address Register 0 (ADR0), 3-24
- DT1 bit, Address Register 1 (ADR1), 3-25

E

edpa bit, Address Register (ADR), 3-23
 electrical specifications, GPIB, C-13
 to C-14
 END bit, Interrupt Status Register 0
 (ISR0), 3-90
 END IE bit
 Interrupt Mask Register 0
 (IMR0), 3-90
 Interrupt Mask Register 1 (IMR1),
 3-94 to 3-95
 END RX bit, Interrupt Status Register 1
 (ISR1), 3-94 to 3-95
 End-of-String Register (EOSR), 3-78
 End-or-Identify (EOI) line, GPIB, C-10
 EOI, sending (seoi) command, 3-46
 EOI bit
 Address Register 1 (ADR1), 3-25
 Bus Control Register (BCR)/Bus
 Status Register (BSR), 3-63
 EOI (End-or-Identify) line, GPIB, C-10
 EOI termination method, GPIB, C-20
 EOS bit
 Interrupt Status Register 0
 (ISR0), 3-86
 Interrupt Status Register 2
 (ISR2), 3-109
 EOS termination method, GPIB, C-20
 EOS[7-0] bits, End-of-String Register
 (EOSR), 3-78
 EOSR (End-of-String Register), 3-78
 ERR bit, Interrupt Status Register 1
 (ISR1)
 one-chip mode, Turbo+7210 mode,
 3-95 to 3-96
 Turbo+9914 mode, 3-99
 ERR IE bit, Interrupt Mask Register 1

(IMR1)
 one-chip mode, Turbo+7210 mode,
 3-95 to 3-96
 Turbo+9914 mode, 3-99
 ESB (Event Status Bit), C-23
 Event Status Register (ESR), C-23, C-24
 extended addressing. *See* GPIB
 addressing.

F

fax technical support, H-1
 feoi (Send EOI With The Next Byte)
 command, 3-36
 ~fget (Clear Force Group Execute
 Trigger) command, 3-35
 fget (Set Force Group Execute Trigger)
 command, 3-35
 FIFO_RDY pin, 5-6
 FIFO(A/B) (First-In First-Out Buffer)
 register, 3-79 to 3-80
 Finish Handshake (rhdf), AUXMR, 3-45
 First-In First-Out Buffer (FIFO(A/B)),
 3-79 to 3-80
 frequencies, less than 40 MHz, A-1

G

General Purpose Interface Bus. *See* GPIB.
 generic pin configuration
 CPU interface pins
 data bus control signals, 5-3
 to 5-5
 ABUSN and BBUSN, 5-3
 ABUS_OEN and
 BBUS_OEN, 5-3
 register select pins, 5-3
 data buses, 5-1 to 5-2
 8-bit DMA accesses, 5-2

Index

- 8-bit I/O accesses, 5-1
- 16-bit DMA accesses, 5-2
- 16-bit I/O accesses, 5-2
- byte lane table (I/O accesses), 5-2
- FIFO_RDY, 5-6
- illustration, 5-1
- INTR, 5-6
- mode pins
 - MODE, 5-6, 5-7
 - RESETN, 5-7
 - SWAPN, 5-6, 5-7
- PAGED, 5-6
- register select pins
 - ADDR4-0 and CSN pins, 5-3
 - BURST_RDN, 5-5
 - CPUACC and RDY1, 5-3 to 5-4
 - DACKN, 5-5
 - DRQ, 5-5
 - RDN and WRN, 5-3
- configuring the TNT4882 for, A-1
- GPIO device status pins, 5-7 to 5-8
 - DCAS--Device Clear pin, 5-8
 - LACDS--Listener Addressed signal, 5-7
 - REM--Remote signal, 5-8
 - TADCS--Talker Addressed signal, 5-7
 - TRIG--Trigger signal, 5-8
- GPIO signal pins, 5-8 to 5-10
- key pins, 5-8 to 5-9
- oscillator pins, 5-9 to 5-10
 - crystal oscillator, 5-9
 - discrete oscillator circuit, 5-9 to 5-10
- GET bit, Interrupt Status Register 1 (ISR1), 3-98 to 3-99
- GET IE bit, Interrupt Mask Register 1 (IMR1), 3-98 to 3-99
- GO command, 3-69
- GO2SIDS bit, Handshake Select Register (HSSEL), 3-83
- GPIO
 - addressing protocol, C-17 to C-18.
 - See also* GPIO addressing.
 - examples, C-18
 - reading multiline interface
 - command messages table, C-19
 - secondary addressing, C-19
 - unaddressing command messages, C-19
 - clearing devices, C-28
 - Controller. *See* GPIO Controller.
 - data and command messages, C-17
 - data lines, C-7
 - handshake lines, C-11 to C-13
 - Data Valid (DAV), C-12
 - Not Data Accepted (NDAC), C-12
 - Not Ready For Data (NRFD), C-11
 - three-wire handshake process, C-12 to C-13
 - hardware configuration, C-4 to C-6
 - history, C-1
 - IEEE 488.1 specification, C-2
 - IEEE 488.2 specification, C-2 to C-3
 - interface management lines, C-8 to C-11
 - Attention (ATN), C-9
 - End-or-Identify (EOI), C-10
 - Interface Clear (IFC), C-8
 - Remote Enable (REN), C-10

- Service Request (SRQ), C-11
- Listeners. *See* Listeners.
- parallel polling, C-25 to C-27. *See also* parallel polling.
 - configuring devices, C-26
 - determining PPE message, C-27
 - determining value of PPR message, C-26
 - example exchange of messages (illustration), C-25
 - overview, C-25
 - physical representation of PPR message, C-27
- physical and electrical specifications, C-13 to C-14
- SCPI specification, C-3 to C-4
- serial polling. *See also* serial polling.
 - ESR and SRE registers, C-23 to C-24
- serial polling devices, C-21 to C-22
- servicing SRQs, C-21
- status byte model for IEEE 488.1, C-23
- status byte model for IEEE 488.2, A-23 to C-24
 - signals and lines, C-7
- Talkers. *See* Talkers.
- termination methods, C-19 to C-21
 - combinations of methods, C-21
 - count method, C-20 to C-21
 - EOI method, C-20
 - EOS method, C-20
- triggering devices, C-28
- GPIB addressing, 4-3 to 4-7
 - addressing modes
 - extended dual addressing, 3-21
 - extended single addressing, 3-20
 - listen only (lon), 3-21
 - no addressing, 3-20
 - normal dual addressing, 3-20
 - talk only (ton), 3-21
 - addressing protocol, C-17 to C-18
 - examples, C-18
 - format of address command messages, C-17
 - primary address, C-17
 - reading multiline interface command messages table, C-19
 - secondary addressing, C-19
 - unaddressing command messages, C-19
 - unique addresses, C-17
- logical and physical devices, 4-3
- normal and extended addressing, 4-3 to 4-4
 - one logical device, 4-4
 - setting, 4-2
 - three or more logical devices, 4-6 to 4-7
 - two logical devices, 4-4 to 4-6
- GPIB Controller. *See also* System Controller.
 - Controller-In-Charge (CIC), C-14
 - defining System Controller, C-14
 - responsibilities, C-14
- GPIB data transfers, 4-7 to 4-13
 - conducting the transfer, 4-8 to 4-11
 - DMA, 4-11
 - flow chart of polled transfers (illustration), 4-9
- HS488
 - IEEE 488.1 and HS488 transfers (illustration), D-3
 - sequence of events, D-2 to D-3
 - Talker and Listener are HS488

Index

- capable, D-4 to D-5
 - Talker is HS488 capable but Listener is not, D-5 to D-6
 - Talker is not HS488 capable, D-6
 - initialization, 4-7 to 4-8
 - interrupt-driven status reporting, 4-11
 - post termination, 4-12 to 4-13
 - programmed I/O, 4-9 to 4-11
 - termination, 4-12
 - GPIB device status pins, 5-7 to 5-8
 - DCAS--Device Clear pin, 5-8
 - LACDS--Listener Addressed signal, 5-7
 - REM--Remote signal, 5-8
 - TADCS--Talker Addressed signal, 5-7
 - TRIG--Trigger signal, 5-8
 - GPIB handshake lines, C-11 to C-13
 - Data Valid (DAV), C-12
 - Not Data Accepted (NDAC), C-12
 - Not Ready For Data (NRFD), C-11
 - three-wire handshake process, C-12 to C-13
 - GPIB handshake parameters, setting, 4-3.
See also T1 delay generation.
 - GPIB operation, configuring TNT4882 for, 4-2
 - GPIB rdy message and RFD holdoffs, 4-15 to 4-16
 - data byte RFD holdoffs, 4-16
 - normal mode, 4-16
 - RFD holdoff on all data (hl_{da}) mode, 4-16
 - RFD holdoff on END (hl_{de}) mode, 4-16
 - generating rdy message, 4-15
 - immediate RFD holdoff, 4-15 to 4-16
 - GPIB signal pins, 5-8 to 5-10
 - key pins, 5-8 to 5-9
 - oscillator pins, 5-9 to 5-10
 - crystal oscillator, 5-9
 - discrete oscillator circuit, 5-9 to 5-10
 - GSYNC bit, Status 1 Register (STS1), 3-130 to 3-131
- ## H
- HALT bit, Status 1 Register (STS1), 3-130
 - handshake lines, GPIB. *See* GPIB handshake lines.
 - handshake parameters, setting, 4-3
 - Handshake Select Register (HSEL), 3-83
 - hardware configuration, GPIB, C-4 to C-6
 - hardware interrupts
 - INTR pin, 4-18
 - TLCINT signal, 4-18 to 4-19
 - TNT4882_INT signal, 4-18
 - ~hd_{fa} (Clear Holdoff On All Data) command, 3-34
 - hd_{fa} (Set Holdoff On All Data) command, 3-34
 - ~hd_{fe} (Clear Holdoff On END Only) command, 3-35
 - hd_{fe} (Set Holdoff On END Only) command, 3-35
 - Hewlett-Packard Interface Bus (HP-IB), C-1
 - hidden registers
 - one-chip mode/Turbo+7210 mode, 3-4 to 3-5

- Turbo+9914 mode, 3-9 to 3-10
- High-Speed Enable Register (HIER), 3-81 to 3-82
- HLDA bit, Auxiliary Register A (AUXRA), 3-52
- hlda mode, 4-16
- HLDE bit, Auxiliary Register A (AUXRA), 3-52
- hlde mode, 4-16
- holdoffs
 - DAC holdoffs, 4-16 to 4-17
 - GPIB rdy message and RFD holdoffs, 4-15 to 4-16
 - data byte RFD holdoffs, 4-16
 - normal mode, 4-16
 - RFD holdoff on all data (hlda) mode, 4-16
 - RFD holdoff on END (hlde) mode, 4-16
 - generating rdy message, 4-15
 - immediate RFD holdoff, 4-15 to 4-16
 - HS488 transfer holdoffs
 - Listener wants to resume three-wire handshake, D-8
 - Listener's buffer nearly full, D-7
 - Talker sends EOI or EOS, D-9
- HS488
 - advantages, D-1 to D-2
 - data transfers
 - IEEE 488.1 and HS488 transfers (illustration), D-3
 - sequence of events, D-2 to D-3
 - Talker and Listener are HS488 capable, D-4 to D-5
 - Talker is HS488 capable but Listener is not, D-5 to D-6
 - Talker is not HS488 capable, D-6
 - clock frequency, B-1
 - definition, D-1
 - IEEE 488.1 requirements if T1 delay is 350 ns, D-2
 - limitations (table), D-2
 - objectives, D-1
 - system configuration, D-9
 - system requirements, D-2
 - transfer holdoffs
 - Listener wants to resume three-wire handshake, D-8
 - Listener's buffer nearly full, D-7
 - Talker sends EOI or EOS, D-9
 - HSE bit, Miscellaneous Register (MISC), 3-117
 - HSSEL (Handshake Select Register), 3-83
 - HSTS definition, 4-22

I

- IEEE 488 Bus. *See* GPIB.
- IEEE 488.1 standard. *See also* HS488.
 - compatibility of TNT4882, D-1
 - history, C-1
 - problems with IEEE 488.1
 - compatible devices, C-2
 - specification, C-2
 - status byte model for serial polling, C-23
- IEEE 488.2 service requesting, 4-13
- IEEE 488.2 standard
 - compatibility of TNT4882, D-1
 - history, C-1
 - specification, C-2 to C-3
 - status byte model for serial polling, C-23 to C-24

Index

- IFC bit
 - Bus Control Register (BCR)/Bus Status Register (BSR), 3-63
 - Interrupt Status Register 1 (ISR1), 3-102
- IFC IE bit, Interrupt Mask Register 1 (IMR1), 3-102
- IFC (Interface Clear) line, GPIB, C-8
- IFCI bit, Interrupt Status Register 0 (ISR0), 3-86
- IFCI IE bit, Interrupt Mask Register 0 (IMR0), 3-86
- Immediate Execute Power-On (pon) command, 3-44
- Immediate Holdoff command, 3-48
- IMR0 (Interrupt Mask Register 0)
 - one-chip mode, Turbo+7210 mode, 3-84 to 3-87
 - Turbo+9914 mode, 3-88 to 3-91
- IMR1 (Interrupt Mask Register 1)
 - one-chip mode, Turbo+7210 mode, 3-92 to 3-97
 - Turbo+9914 mode, 3-98 to 3-102
- IMR2 (Interrupt Mask Register 2)
 - one-chip mode, Turbo+7210 mode, 3-103 to 3-106
 - Turbo+9914 mode, 3-107 to 3-110
- IMR3 (Interrupt Mask Register 3), 3-111 to 3-113
- IN bit
 - Configuration Register (CFG), 3-66
 - Status 1 Register (STS1), 3-129
- initialization sequence. *See* chip initialization.
- INT bit
 - Interrupt Status Register 2 (ISR2), 3-103 to 3-104
 - Interrupt Status Register 3 (ISR3), 3-111
- INT0 bit, Interrupt Status Register 0 (ISR0), 3-88
- INT1 bit, Interrupt Status Register 0 (ISR0), 3-89
- INTEN bit, Board Interrupt Register (INTR), 3-114
- Interface Clear (IFC) line, GPIB, C-8 interface management lines, GPIB, C-8 to C-11
 - Attention (ATN), C-9
 - End-or-Identify (EOI), C-10
 - Interface Clear (IFC), C-8
 - Remote Enable (REN), C-10
 - Service Request (SRQ), C-11
- interrupt bits, enabling, 4-3
- Interrupt Mask Register 0 (IMR0)
 - one-chip mode, Turbo+7210 mode, 3-84 to 3-87
 - Turbo+9914 mode, 3-88 to 3-91
- Interrupt Mask Register 1 (IMR1)
 - one-chip mode, Turbo+7210 mode, 3-92 to 3-97
 - Turbo+9914 mode, 3-98 to 3-102
- Interrupt Mask Register 2 (IMR2)
 - one-chip mode, Turbo+7210 mode, 3-103 to 3-106
 - Turbo+9914 mode, 3-107 to 3-110
- Interrupt Mask Register 3 (IMR3), 3-111 to 3-113
- Interrupt Status Register 0 (ISR0)
 - one-chip mode, Turbo+7210 mode, 3-84 to 3-87
 - Turbo+9914 mode, 3-88 to 3-91
- Interrupt Status Register 1 (ISR1)
 - one-chip mode, Turbo+7210 mode, 3-92 to 3-97
 - Turbo+9914 mode, 3-98 to 3-102

- Interrupt Status Register 2 (ISR2)
 - one-chip mode, Turbo+7210 mode, 3-103 to 3-106
 - Turbo+9914 mode, 3-107 to 3-110
- Interrupt Status Register 3 (ISR3), 3-111 to 3-113
- interrupts, hardware. *See* hardware interrupts.
- INTR (Board Interrupt Register), 3-114
- INTR pin
 - asserting, A-1
 - generic pin configuration, 5-6
 - ISA pin configuration, 6-4
- INTSRC2 bit, Interrupt Status Register 3 (ISR3), 3-112
- INTSRC2 IE bit, Interrupt Mask Register 3 (IMR3), 3-112
- I/O accesses. *See* data buses.
- IOCHRDY pin, ISA pin configuration, 6-4
- IOCS16N pin, ISA pin configuration, 6-5
- IORN, IOWN pins, 6-3
- ISA pin configuration
 - CPU interface pins
 - DACKN, 6-4
 - data bus control signals
 - BHEN_N, 6-3
 - D15_8_OEN and D7_0_OEN, 6-2
 - data buses
 - byte lane table, 6-2
 - DATA7-0, 6-2
 - DATA15-8, 6-1 to 6-2
 - DRQ, 6-3 to 6-4
 - illustration, 6-1
 - INTR, 6-4
 - IOCHRDY, 6-4
 - IOCS16N, 6-5
 - MODE, 6-5
 - register select pins
 - ADDR4-0, 6-3
 - ADDR9-5, SW9-5, AEN_N, 6-3
 - IORN, IOWN, 6-3
 - RESET, 6-5
 - SENSE_8_16N, 6-5
 - other pins, 6-5
- ISR0 (Interrupt Status Register 0)
 - one-chip mode, Turbo+7210 mode, 3-84 to 3-87
 - Turbo+9914 mode, 3-88 to 3-91
- ISR1 (Interrupt Status Register 1)
 - one-chip mode, Turbo+7210 mode, 3-92 to 3-97
 - Turbo+9914 mode, 3-98 to 3-102
- ISR2 (Interrupt Status Register 2)
 - one-chip mode, Turbo+7210 mode, 3-103 to 3-106
 - Turbo+9914 mode, 3-107 to 3-110
- ISR3 (Interrupt Status Register 3), 3-111 to 3-113
- ISS bit
 - Accessory Register B (ACCRB), 3-13
 - Auxiliary Register B (AUXRB), 3-53
 - ~ist (Clear Parallel Poll Flag) command
 - Auxiliary Command Register (AUXCR), 3-39
 - Auxiliary Mode Register (AUXMR), 3-44
 - ist (Set Parallel Poll Flag) command
 - Auxiliary Command Register (AUXCR), 3-39
 - Auxiliary Mode Register (AUXMR), 3-44

Index

ist message, 4-14

K

Key Control Register (KEYREG), 3-115
to 3-116

KEY pins

generic pin configuration, 5-8 to 5-9

reading DS1204 key, 4-21

using as general purpose I/O

pins, 4-21

writing DS1204 key, 4-21

KEYCLK bit, Key Control Register
(KEYREG), 3-115

KEYDATA bit, Key Control Register
(KEYREG), 3-116

KEYDATEN bit, Key Control Register
(KEYREG), 3-116

KEYDQ bit, Chip Signature Register
(CSR), 3-74

KEYREG (Key Control Register), 3-115
to 3-116

KEYRST* bit, Key Control Register
(KEYREG), 3-116

L

LA bit, Address Status Register (ADSR)
Turbo+7210 mode, 3-27

Turbo+9914 mode, 3-30

LACDS--Listener Addressed signal, 5-7

Listeners. *See also* GPIB Controller;

Talkers.

HS488 data transfers

Talker and Listener are HS488
capable, D-4 to D-5

Talker is HS488 capable but
Listener is not, D-5 to D-6

programmed implementation, 4-7

properties, C-15

system setup example

(illustration), C-16

LLOC bit, Interrupt Status Register 2
(ISR2), 3-109

LLOC IE bit, Interrupt Mask Register 2
(IMR2), 3-109

local power-on message

asserting, 4-2

clearing, 4-2

logical devices, addressing. *See* GPIB
addressing.

LOK bit, Interrupt Status Register 2
(ISR2), 3-104

LOKC bit, Interrupt Status Register 2
(ISR2), 3-105

LOKC IE bit, Interrupt Mask Register 2
(IMR2), 3-105

lon (listen only) addressing mode, 3-21

~lon (Clear Listen Only) command, 3-36

lon (Set Listen Only) command, 3-36

LPAS bit, Address Status Register
(ADSR)

Turbo+7210 mode, 3-27

Turbo+9914 mode, 3-29

lul (Unlisten) command, AUXMR, 3-47

lut (Untalk) command, AUXMR, 3-46

M

MA bit, Interrupt Status Register 1
(ISR1), 3-101

MA IE bit, Interrupt Mask Register 1
(IMR1), 3-101

MAC bit, Interrupt Status Register 0
(ISR0), 3-91

MAC IE bit, Interrupt Mask Register 0
(IMR0), 3-91

- manual. *See* documentation.
 - MAV (Message Available) bit, C-23
 - messages, GPIB
 - data messages compared with command messages, C-17
 - format of address command messages, C-17
 - mnemonics key, G-1 to G-13
 - multiline interface command messages, F-1 to F-3
 - unaddressing command messages, C-19
 - Miscellaneous Register (MISC), 3-117 to 3-118
 - MJMN bit, Address Status Register (ADSR), 3-28
 - mnemonics key, G-1 to G-13
 - MODE bit, Chip Signature Register (CSR), 3-74
 - mode pins
 - MODE
 - generic pin configuration, 5-6, 5-7
 - ISA pin configuration, 6-5
 - RESETN, 5-7
 - SWAPN, 5-6, 5-7
 - MSS (Master Summary Status) bit, C-23
 - MSTD bit, Key Control Register (KEYREG), 3-115
 - multiline messages
 - mnemonics and definitions, F-1 to F-3
 - reading, C-19
- N**
- nba bit
 - Interrupt Mask Register 2 (IMR2), 3-107
 - Interrupt Status Register 0 (ISR0), 3-84 to 3-85
 - Source/Acceptor Status Register (SASR), 3-124
 - nbaF (New Byte Available False) command
 - Auxiliary Command Register (AUXCR), 3-35
 - Auxiliary Mode Register (AUXMR), 3-47
 - NDAC bit, Bus Control Register (BCR)/Bus Status Register (BSR), 3-63
 - NEF bit, Interrupt Status Register 3 (ISR3), 3-112
 - NEF IE bit, Interrupt Mask Register 3 (IMR3), 3-112
 - New Byte Available False (nbaF) command
 - Auxiliary Command Register (AUXCR), 3-35
 - Auxiliary Mode Register (AUXMR), 3-47
 - NFF bit, Interrupt Status Register 3 (ISR3), 3-112
 - NFF IE bit, Interrupt Mask Register 3 (IMR3), 3-112
 - NL bit
 - Interrupt Status Register 0 (ISR0), 3-85
 - Interrupt Status Register 2 (ISR2), 3-108
 - NLEN bit
 - Interrupt Mask Register 0 (IMR0), 3-86
 - Interrupt Mask Register 2 (IMR2), 3-109
 - NOAS bit, Miscellaneous Register

Index

(MISC), 3-118
NODMA bit, Handshake Select Register (HSSEL), 3-83
Nonvalid Secondary Command Or Address (nonvalid) command, AUXMR, 3-46
normal addressing. *See* GPIB addressing.
Not Data Accepted (NDAC) line
GPIB, C-12
Not Ready For Data (NRFD) line, GPIB, C-11
NOTS bit, Miscellaneous Register (MISC), 3-118
NO_TSETUP bit, High-Speed Enable Register (HIER), 3-81 to 3-82
NRFD bit, Bus Control Register (BCR)/ Bus Status Register (BSR), 3-63
NTNL bit, Auxiliary Register G (AUXRG), 3-57 to 3-58

O

ONEC bit, Handshake Select Register (HSSEL), 3-83
one-chip mode
acceptor handshake holdoffs, 4-15 to 4-16
block diagram, 2-2
changing to another mode
illustration, 2-3
Turbo+7210 mode, 2-4
configuring TNT4882 for, 4-2
description, 2-2
GPIB rdy message and RFD
holdoffs, 4-15 to 4-16
data byte RFD holdoffs, 4-16
generating rdy message, 4-15
immediate RFD holdoff, 4-15

to 4-16
when to use, 2-2 to 2-3
oscillator pins, 5-9 to 5-10
crystal oscillator, 5-9
discrete oscillator circuit, 5-9 to 5-10
component values (table), 5-10
quartz crystal specifications (table), 5-10
recommended circuit for third overtone mode crystal (illustration), 5-9

P

P[3-1] bits, Parallel Poll Register (PPR), 3-120
PAGED pin, 5-6
paged register, accessing, A-1
Page-In Accessory Register (piacrr) command, 3-40
Page-In Additional Registers (page-in) command, 3-48
Page-In Bus Register (pibcr) command, 3-39
Page-In End-of-String Registers (pieosr) command, 3-40
Page-In Interrupt Mask Register 2 (piimr2) command, 3-39
Page-In state
one-chip mode/Turbo+7210 mode, 3-5 to 3-6
how to page in, 3-6
register offsets (table), 3-6
when to use, 3-5
Turbo+9914 mode, 3-10
Parallel Poll Register (PPR)
Turbo+7210 mode, 3-119 to 3-121
Turbo+9914 mode, 3-122

- parallel polling
 - configuring devices for parallel polls, C-26
 - determining PPE message, C-27
 - determining value of PPR message, C-26
 - example exchange of messages (illustration), C-25
 - overview, C-25
 - physical representation of PPR message, C-27
 - responding to parallel polls, 4-14 to 4-15
 - disabling response, 4-15
 - ist message, 4-14
 - local configuration, 4-15
 - remote configuration, 4-14
 - writing initial parallel poll response, 4-2
- Pass Through Next Secondary (pts) command, 3-37
- PEND bit, Serial Poll Status Register (SPSR), 3-128
- physical specifications, GPIB, C-13 to C-14
- piacr (Page-In Accessory Register) command, 3-40
- pibcr (Page-In Bus Register) command, 3-39
- pieosr (Page-In End-of-String Registers) command, 3-40
- piimr2 (Page-In Interrupt Mask Register 2) command, 3-39
- pin configuration. *See* generic pin configuration; ISA pin configuration.
- PMT_W_EOS bit, High-Speed Enable Register (HIER), 3-82
- polling. *See* parallel polling; serial polling.
- pon (Immediate Execute Power-On) command, 3-44
- PP1 bit, Accessory Register I (ACCRI), 3-16
- PP2 bit, Auxiliary Register I (AUXRI), 3-59
- PP8-PP1 bits, Parallel Poll Register (PPR), 3-122
- PPE message, determining, C-27
- PPR (Parallel Poll Register)
 - Turbo+7210 mode, 3-119 to 3-121
 - Turbo+9914 mode, 3-122
- PPR message
 - determining, C-26
 - physical representation, C-27
- primary address, GPIB, C-17
- Programmable T1 Register (PT1), 3-123
- programmed implementation of Talker or Listener, 4-7
- programming considerations
 - acceptor handshake holdoffs in one-chip mode
 - DAC holdoffs, 4-16 to 4-17
 - GPIB rdy message and RFD holdoffs, 4-15 to 4-16
 - chip initialization, 4-1 to 4-3
 - configuring TNT4882
 - clearing local power-on message, 4-3
 - GPIB operation, 4-2 to 4-3
 - one-chip mode, 4-2
 - placing TNT4882 in
 - Turbo+7210 mode, 4-1 to 4-2
 - resetting Turbo488 circuitry, 4-1
 - device clearing, 4-20
 - device status reporting, 4-13 to 4-15
 - requesting service, 4-13

Index

- responding to parallel polls, 4-14
 - to 4-15
 - responding to serial polls, 4-14
 - device triggering, 4-20
 - GPIO addressing, 4-3 to 4-7
 - logical and physical devices, 4-3
 - normal and extended addressing, 4-3 to 4-4
 - one logical device, 4-4
 - three or more logical devices, 4-6 to 4-7
 - two logical devices, 4-4 to 4-6
 - GPIO data transfers, 4-7 to 4-13
 - conducting the transfer, 4-8 to 4-11
 - DMA, 4-11
 - flow chart of polled transfers (illustration), 4-9
 - initialization, 4-7 to 4-8
 - interrupt-driven status reporting, 4-11
 - post termination, 4-12 to 4-13
 - termination, 4-12
 - hardware interrupts
 - INTR pin, 4-18
 - TLCINT signal, 4-18 to 4-19
 - TNT4882_INT signal, 4-18
 - KEY pins
 - reading DS1204 key, 4-21
 - using as general purpose I/O pins, 4-21
 - writing DS1204 key, 4-21
 - programmed implementation of Talker or Listener, 4-7
 - remote/local state considerations, 4-19 to 4-20
 - T1 delay generation, 4-21 to 4-22
 - HSTS definition, 4-22
 - T1 delay, 4-21 to 4-22
 - T1 delay for various settings (table), 4-22
 - timer and timeouts, 4-19
 - using SCPI, E-4 to E-7
 - constructing commands using hierarchical command structure, E-5 to E-6
 - parsing commands, E-7
 - partial command categories (illustration), E-4
 - partial command tree
 - SENSe command subsystem (illustration), E-5
 - SOURce command subsystem (illustration), E-6
 - TRIGger command subsystem (illustration), E-6
 - simple command tree for SENSe command subsystem (illustration), E-4
 - PT1 (Programmable T1 Register), 3-123
 - PT1_[4-0] bits, Programmable T1 Register (PT1), 3-123
 - PT1_ENA bit, Programmable T1 Register (PT1), 3-123, B-3
 - pts (Pass Through Next Secondary) command, 3-37
- ## R
- RDN pin, 5-3
 - rdy message. *See* GPIO rdy message and RFD holdoffs.
 - RDY1 pin, 5-3 to 5-4

- time required to assert, B-4
- register bit descriptions. *See* bit descriptions.
- register select pins
 - generic pin configuration
 - ADDR4-0 and CSN pins, 5-3
 - BURST_RDN, 5-5
 - CPUACC and RDY1, 5-3 to 5-4
 - DACKN, 5-5
 - DRQ, 5-5
 - RDN and WRN, 5-3
 - types of 7210 or 9914
 - accesses, 5-4
 - ISA pin configuration
 - ADDR4-0, 6-3
 - ADDR9-5, SW9-5, AEN_N, 6-3
 - IORN, IOWN, 6-3
- registers
 - Accessory Register A (ACCRA), 3-12
 - Accessory Register B (ACCRB), 3-13
 - Accessory Register E (ACCRES), 3-14
 - Accessory Register F (ACCRF), 3-15
 - Accessory Register I (ACCRI), 3-16
 - Accessory Register J (ACCRJ), 3-17 to 3-18
 - Accessory Write Register (ACCWR), 3-19
 - Address Mode Register (ADMR), 3-20 to 3-21
 - Address Register (ADR)
 - one-chip mode, Turbo+7210 mode, 3-22
 - Turbo+9914 mode, 3-23
 - Address Register 0 (ADR0), 3-24
 - Address Register 1 (ADR1), 3-25
 - Address Status Register (ADSR)
 - Turbo+7210 mode, 3-26 to 3-28
 - Turbo+9914 mode, 3-29 to 3-31
 - Auxiliary Command Register (AUXCR), 3-32 to 3-40
 - Auxiliary Mode Register (AUXMR), 3-41 to 3-50
 - Auxiliary Register A (AUXRA), 3-51 to 3-52
 - Auxiliary Register B (AUXRB), 3-53 to 3-54
 - Auxiliary Register E (AUXRE), 3-55
 - Auxiliary Register F (AUXRF), 3-56
 - Auxiliary Register G (AUXRG), 3-57 to 3-58
 - Auxiliary Register I (AUXRI), 3-59 to 3-60
 - Auxiliary Register J (AUXRJ), 3-61 to 3-62
 - Board Interrupt Register (INTR), 3-114
 - Bus Control Register (BCR)/Bus Status Register (BSR), 3-63
 - Carry Cycle Register (CCR), 3-64
 - Chip Signature Register (CSR), 3-74
 - Command Pass Through Register (CPTR), 3-73
 - Command/Data Out Register (CDOR), 3-65
 - Configuration Register (CFG), 3-66 to 3-68
 - count registers
 - 16-bit mode, 3-72
 - 32-bit mode, 3-72
 - Count 0 Register (CNT0), 3-71
 - Count 1 Register (CNT1), 3-71
 - Count 2 Register (CNT2), 3-71
 - Count 3 Register (CNT3), 3-71

Index

- description, 3-72
 - Data In Register (DIR), 3-76
 - DIO Control Register (DCR), 3-75
 - DIO Status Register (DSR), 3-77
 - End-of-String Register (EOSR), 3-78
 - First-In First-Out Buffer (FIFO(A/B)), 3-79 to 3-80
 - Handshake Select Register (HSSEL), 3-83
 - hidden registers
 - one-chip mode/Turbo+7210 mode, 3-4 to 3-5
 - Turbo+9914 mode, 3-9
 - High-Speed Enable Register (HIER), 3-81 to 3-82
 - Interrupt Mask Register 0 (IMR0)
 - one-chip mode, Turbo+7210, 3-84 to 3-87
 - Turbo+9914 mode, 3-88 to 3-91
 - Interrupt Mask Register 1 (IMR1)
 - one-chip mode, Turbo+7210 mode, 3-92 to 3-97
 - Turbo+9914 mode, 3-98 to 3-102
 - Interrupt Mask Register 2 (IMR2)
 - one-chip mode, Turbo+7210 mode, 3-103 to 3-106
 - Turbo+9914 mode, 3-107 to 3-110
 - Interrupt Mask Register 3 (IMR3), 3-111 to 3-113
 - Interrupt Status Register 0 (ISR0), 3-84 to 3-87
 - Turbo+9914 mode, 3-88 to 3-91
 - Interrupt Status Register 1 (ISR1)
 - one-chip mode, Turbo+7210 mode, 3-92 to 3-97
 - Turbo+9914 mode, 3-98 to 3-102
 - Interrupt Status Register 2 (ISR2)
 - one-chip mode, Turbo+7210 mode, 3-103 to 3-106
 - Turbo+9914 mode, 3-107 to 3-110
 - Interrupt Status Register 3 (ISR3), 3-111 to 3-113
 - Key Control Register (KEYREG), 3-115 to 3-116
 - Miscellaneous Register (MISC), 3-117 to 3-118
 - Parallel Poll Register (PPR)
 - Turbo+7210 mode, 3-119 to 3-121
 - Turbo+9914 mode, 3-122
 - Programmable T1 Register (PT1), 3-123
 - register map
 - one-chip mode and Turbo+7210 mode, 3-2 to 3-3
 - Turbo+9914 mode, 3-7 to 3-8
 - Serial Poll Mode Register (SPMR), 3-127 to 3-128
 - Serial Poll Status Register (SPSR), 3-127 to 3-128
 - SH_CNT Register (SH_CNT), 3-126
 - Source/Acceptor Status Register (SASR), 3-124 to 3-125
 - Status 1 Register (STS1), 3-129 to 3-131
 - Status 2 Register (STS2), 3-132
 - T12 Register (T12), 3-133
 - T13 Register (T13), 3-134
 - T17 Register (T17), 3-135
 - Timer Register (TIMER), 3-136 to 3-137
- Release RFD Holdoff (rhdf)

- command, 3-34
 - REM bit
 - Address Status Register (ADSR), 3-29
 - Interrupt Status Register 2 (ISR2), 3-104
 - REMC bit, Interrupt Status Register 2 (ISR2), 3-105 to 3-106
 - REMC IE bit, Interrupt Mask Register 2 (IMR2), 3-105 to 3-106
 - Remote Enable (REN) line, GPIB, C-10
 - remote multiline messages. *See* multiline messages.
 - remote/local state considerations, 4-19 to 4-20
 - REM--Remote signal, 5-8
 - REN bit, Bus Control Register (BCR)/Bus Status Register (BSR), 3-63
 - REN (Remote Enable) line, GPIB, C-10
 - REOS bit
 - Accessory Register A (ACCRA), 3-12
 - Auxiliary Register A (AUXRA), 3-52
 - reqf (Request rsv False) command
 - Auxiliary Command Register (AUXCR), 3-38
 - Auxiliary Mode Register (AUXMR), 3-48
 - reqt (Request rsv True) command
 - Auxiliary Command Register (AUXCR), 3-38
 - Auxiliary Mode Register command (AUXMR), 3-48
 - Request rsv False (reqf) command
 - Auxiliary Command Register (AUXCR), 3-38
 - Auxiliary Mode Register (AUXMR), 3-48
 - Request rsv True (reqt) command
 - Auxiliary Command Register (AUXCR), 3-38
 - Auxiliary Mode Register command (AUXMR), 3-48
 - RESET FIFO command, 3-70
 - RESET pin, ISA pin configuration, 6-5
 - RESETN pin, 5-7
 - Return to Local (rtl) commands,
 - AUXMR, 3-46
 - RFD holdoffs. *See* GPIB rdy message and RFD holdoffs.
 - rhdf command
 - Finish Handshake, 3-45
 - Release RFD Holdoff, 3-34
 - RLC bit, Interrupt Status Register 0 (ISR0), 3-90
 - RLC IE bit, Interrupt Mask Register 0 (IMR0), 3-90
 - RQS bit, C-23
 - ~rsv2 (Clear Request Service bit 2)
 - command, purpose, 3-37
 - rsv2 (Set Request Service bit 2)
 - command, purpose, 3-37
 - rsv/RQS bit, Serial Poll Mode Register (SPMR), 3-128
 - rtl command
 - Return to Local, AUXMR, 3-46
 - Set Return To Local, AUXCR, 3-35
 - ~rtl (Clear Return to Local)
 - command, 3-35
- S**
- S bit, Parallel Poll Register (PPR), 3-120
 - S[6-1] bits, Serial Poll Mode Register (SPMR)/Serial Poll Status Register

Index

- (SPSR), 3-127 to 3-128
- S8 bit, Serial Poll Status Register (SPSR), 3-127
- SASR (Source/Acceptor Status Register), 3-124 to 3-125
- SCPI. *See* Standard Commands for Programmable Instrumentation (SCPI).
- secondary addressing, GPIB, C-19
- Send EOI (seoi) command, AUXMR, 3-46
- Send EOI With The Next Byte (feoi) command, AUXCR, 3-36
- SENSE_8_16N, ISA pin configuration, 6-5
- seoi (Send EOI) command, AUXMR, 3-46
- Serial Poll Mode Register (SPMR), 3-127 to 3-128
- Serial Poll Status Register (SPSR), 3-127 to 3-128
- serial polling
 - events during serial poll (illustration), C-22
 - responding to serial polls, 4-14
 - serial polling devices, C-21 to C-22
 - servicing SRQs, C-21
 - status byte model
 - IEEE 488.1, C-23
 - IEEE 488.2, C-23 to C-24
 - writing initial serial poll response, 4-2
- Service Request Enable Register (SRE), C-23, C-24
- Service Request (SRQ) line, GPIB, C-11
- service requesting
 - 7210-style service requesting, 4-13
 - asserting the SRQ signal, 4-13
 - IEEE 488.2 service requesting, 4-13
- Set Disable IMR2, IMR1, And IMR0 Interrupts (dai) command, 3-36
- Set Force Group Execute Trigger (fget) command, 3-35
- Set Holdoff On All Data (hdfa) command, 3-34
- Set Holdoff On END Only (hdfe) command, 3-35
- Set Listen Only (lon) command, 3-36
- Set Parallel Poll Flag (ist) command
 - Auxiliary Command Register (AUXCR), 3-39
 - Auxiliary Mode Register (AUXMR), 3-44
- Set Request Service bit 2 (rsv2) command, 3-37
- Set Return To Local (rtl) command, Auxiliary Command Register (AUXCR), 3-35
- Set Short T1 Delay (stdl) command, 3-37
- Set Software Reset (swrst) command, 3-34
- Set SYNC command, 3-50
- Set Talk Only (ton) command, 3-36
- Set Very Short T1 Delay (vstdl) command, 3-37
- SH1A SH1B bit, Source/Acceptor Status Register (SASR), 3-125
- SH_CNT Register (SH_CNT) description, 3-126
- hidden registers (table), 3-5
- signals and lines, GPIB, C-7
- SISB bit, Auxiliary Register I (AUXRI), 3-60
- SLOW bit, Miscellaneous Register (MISC), 3-117 to 3-118
- SOFT RESET command, 3-70
- Source/Acceptor Status Register (SASR),

- 3-124 to 3-125
- SPAS bit, Interrupt Status Register 0 (ISR0), 3-90
- SPAS IE bit, Interrupt Mask Register 0 (IMR0), 3-90
- SPEOI bit
 - Accessory Register B (ACCRB), 3-13
 - Auxiliary Register B (AUXRB), 3-53
- SPMR (Serial Poll Mode Register), 3-127 to 3-128
- SPMS bit, Address Status Register (ADSR), 3-26
- SPSR (Serial Poll Status Register), 3-127 to 3-128
- SRE (Service Request Enable Register), C-23, C-24
- SRQ bit, Bus Control Register (BCR)/Bus Status Register (BSR), 3-63
- SRQ (Service Request) line, GPIB, C-11
- SRQ signal, asserting, 4-13
- Standard Commands for Programmable Instrumentation (SCPI)
 - history, C-1, E-1
 - IEEE 488.2 common commands required by SCPI, E-2
 - optional commands, E-3 to E-4
 - programming with SCPI, E-4 to E-7
 - constructing commands using hierarchical command structure, E-5 to E-6
 - parsing commands, E-7
 - partial command categories (illustration), E-4
 - partial command tree
 - SENSE command subsystem (illustration), E-5
 - SOURCE command subsystem (illustration), E-6
 - TRIGGER command subsystem (illustration), E-6
 - simple command tree for SENSE command subsystem (illustration), E-4
 - required commands, E-3
 - specification, C-3 to C-4
- standards. *See* IEEE 488.1 standard.
- Status 1 Register (STS1), 3-129 to 3-131
- Status 2 Register (STS2), 3-132
- STBO bit
 - Interrupt Status Register 0 (ISR0), 3-85
 - Interrupt Status Register 2 (ISR2), 3-108
- STBO IE bit
 - Interrupt Mask Register 0 (IMR0), 3-85
 - Interrupt Mask Register 2 (IMR2), 3-108
- ~stdl (Clear Short T1 Delay) command, 3-37
- stdl (Set Short T1 Delay) command, 3-37
- STOP bit
 - Interrupt Status Register 3 (ISR3), 3-112
 - Status 1 Register (STS1), 3-129 to 3-130
- STOP command, 3-70
- STOP IE bit, Interrupt Mask Register 3 (IMR3), 3-112
- STS1 (Status 1 Register), 3-129 to 3-131
- SW9-5 pin, 6-3

Index

- sw7210 (Switch To 7210 Mode)
 - command, definition, 3-38
 - SWAP bit
 - Key Control Register (KEYREG), 3-115
 - offsets and, 3-9
 - setting, 3-9 to 3-10
 - SWAPN pin, 5-6, 5-7
 - Switch to 9914A Mode command, AUXMR, 3-47
 - ~swrst (Clear Software Reset)
 - command, 3-34
 - swrst (Set Software Reset)
 - command, 3-34
 - SYNC bit, Interrupt Status Register 0 (ISR0), 3-87
 - SYNC IE bit, Interrupt Mask Register 0 (IMR0), 3-87
 - System Controller, C-14. *See also* GPIB Controller.
- ## T
- T1 delay generation, 4-21 to 4-22
 - byte sourcing speed, B-2
 - HS488 requirements if T1 delay is 350 ns, D-2
 - HSTS definition, 4-22
 - T1 delay, 4-21 to 4-22
 - T1 delay for various settings (table), 4-22
 - T12 Register (T12), 3-133
 - T12_[4-0] bit, T12 Register (T12), 3-133
 - T13 Register (T13), 3-134
 - T13_[4-0] bit, T13 Register (T13), 3-134
 - T17_[4-0] bit, T17 Register (T17), 3-135
 - TA bit, Address Status Register (ADSR)
 - Turbo+7210 mode, 3-27 to 3-28
 - Turbo+9914 mode, 3-30 to 3-31
 - TADCS--Talker Addressed signal, 5-7
 - Talkers. *See also* GPIB Controller; Listeners.
 - HS488 data transfers
 - Talker and Listener are HS488 capable, D-4 to D-5
 - Talker is HS488 capable but Listener is not, D-5 to D-6
 - Talker is not HS488 capable, D-6
 - programmed implementation, 4-7
 - properties, C-15
 - system setup example (illustration), C-16
 - technical support, H-1
 - termination methods, GPIB, C-19 to C-21
 - combination of methods, C-21
 - count method, C-20 to C-21
 - EOI method, C-20
 - EOS method, C-20
 - termination of GPIB data transfer, 4-12
 - three-wire handshake process
 - description, C-13
 - illustration, C-12
 - TIM/BYTN bit, Configuration Register (CFG), 3-67 to 3-68
 - timer
 - and low clock frequencies, B-3
 - byte timeouts, 4-19
 - description, 4-19
 - generating interrupts, 4-19
 - global timeouts, 4-19
 - timeout values
 - supported by Accessory Register J (table), 3-17 to 3-18
 - supported by Auxiliary Register

- J (table), 3-61 to 3-62
- Timer Register (TIMER), 3-136 to 3-137
- TLCHLTE bit, Configuration Register (CFG), 3-66
- TLCINT bit, Interrupt Status Register 3 (ISR3), 3-113
- TLCINT IE bit, Interrupt Mask Register 3 (IMR3), 3-113
- TLCINT signal
 - hardware interrupts, 4-18 to 4-19
 - termination of GPIB data transfer, 4-12
- TM[3-0] bits
 - Accessory Register J (ACCRJ), 3-17 to 3-18
 - Auxiliary Register J (AUXRJ), 3-61 to 3-62
- TMOE bit, Configuration Register (CFG), 3-67
- TNT4882
 - bus interface capabilities, 1-4
 - capabilities (table), 1-1 to 1-2
 - CPU interface features, 1-4
 - features, 1-3 to 1-4
 - initializing. *See* chip initialization.
 - overview, 1-1
- TNT4882 architectures
 - architecture after hardware reset, 2-4
 - changing modes, 2-3 to 2-4
 - one-chip mode, 2-2
 - selecting a mode, 2-2 to 2-3
 - Turbo+7210 mode, 2-1
 - Turbo+9914 mode, 2-2
- TNT4882_INT signal, 4-18
- TO bit
 - Interrupt Status Register 0 (ISR0), 3-87
 - Interrupt Status Register 2 (ISR2), 3-110
- TO IE bit
 - Interrupt Mask Register 0 (IMR0), 3-87
 - Interrupt Mask Register 2 (IMR2), 3-110
- ton (talk only) addressing mode, 3-21
- ~ton (Clear Talk Only) command, 3-36
- ton (Set Talk Only) command, 3-36
- TPAS bit, Address Status Register (ADSR)
 - Turbo+7210 mode, 3-27
 - Turbo+9914 mode, 3-30
- transfer holdoffs, HS488
 - Listener wants to resume three-wire handshake, D-8
 - Listener's buffer nearly full, D-7
 - Talker sends EOI or EOS, D-9
- TRI bit, Auxiliary Register B (AUXRB), 3-53
- Trigger (trig) command, AUXMR, 3-46
- triggering devices, C-28
- TRIG--Trigger signal, 5-8
- Turbo+7210 mode
 - block diagram, 2-1
 - changing to another mode illustration, 2-3
 - one-chip mode, 2-4
 - Turbo+9914 mode, 2-4
 - description, 2-1
 - placing TNT4882 in Turbo+7210 mode, 4-1 to 4-2
 - when to use, 2-3
- Turbo+9914 mode
 - block diagram, 2-1
 - changing to another mode illustration, 2-3
 - Turbo+7210 mode, 2-4

Index

description, 2-2
when to use, 2-3

Accessory Register A
(ACCRA), 3-12
Auxiliary Register A
(AUXRA), 3-51

U

U bit, Parallel Poll Register (PPR), 3-119
ulpa bit, Address Status Register
(ADSR), 3-31
UNC bit, Interrupt Status Register 1
(ISR1), 3-99 to 3-100
UNC IE bit, Interrupt Mask Register 1
(IMR1), 3-99 to 3-100
Unlisten (lul) command, AUXMR, 3-47
Untalk (lut) command, AUXMR, 3-46
USTD bit
 Accessory Register I (ACCRI), 3-16
 Auxiliary Register I (AUXRI), 3-59

V

V[3-0] bit, Chip Signature Register
(CSR), 3-74
Valid Secondary Command Or Address
(valid), AUXMR, 3-47
~vstdl (Clear Very Short T1 Delay)
 command, 3-37
vstdl (Set Very Short T1 Delay)
 command, 3-37

W

WRAP bit, Miscellaneous Register
(MISC), 3-118
WRN pin, 5-3
WR* signal, B-1

X

XEOS bit