

multicomp PRO

The Engineer's Choice

LEV (e-bike) Connectors



LEV Connectors

Multicomp Pro Vehicle Electrical connectors meet waterproof rating from IP65 to IP67 in IEC60529 Standard and are used in applications of vehicle and e-bike industries for Battery charger, Controller, Indicator and Motor.



Specifications

Material

- Contact: Copper Alloy, Gold Plated
- Connector Body: Nylon+GF, PC, UL Recognized

Temperature Range

- Connector Body: -40°C to +100°C
- Cable: -20°C to +80°C

IP Rating

- IP65
- IP66
- IP67

Contact Resistance

- $\leq 10\text{m}\Omega$

Insulation Resistance

- $\geq 30\text{M}\Omega$ at DC 500V

Durability

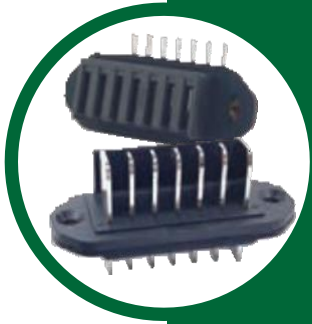
- 100 cycles minimum

Breakdown Voltage

- $\geq \text{AC } 1000\text{V} / 1 \text{ minute}$

Corrosion

- 48 hours salt spray contact



Selection Guide

11 • M5, Molded with Cable
11 • M12, Molded with Cable

12 • Molded with Cable
12 • Molded with Cable

13 • Molded with Cable
13 • Molded with Cable

14 • Molded with Cable
14 • Molded with Cable

15 • Molded with Cable/ Panel Mount
15 • Molded with Cable/ Panel Mount

16 • Molded with Cable/ Panel Mount
16 • Molded with Cable/ Panel Mount

17 • Battery Connector
17 • Battery Connector

1A: 4 pins
2A: 8 pins, 5A:3/4/5 pins

1A: 6 pins
10A+2A: 3+3 pins

10A+5A: 3+6 pins
10A: 3 pins

15A+2A: 2+4 pins
25A: 2 pins

10A+5A: 2+2 pins
10A: 3 pins

5A+2A: 2+1 pins, 5A+2A: 2+3 pins
30A+2A: 2+5 pins

30A+5A: 2+5 pins
60A+5A: 2+7 pins

M5, Molded with Cable

1A : 4 pins

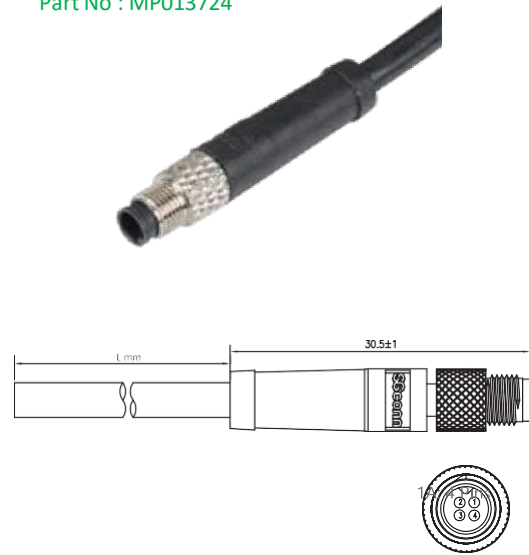
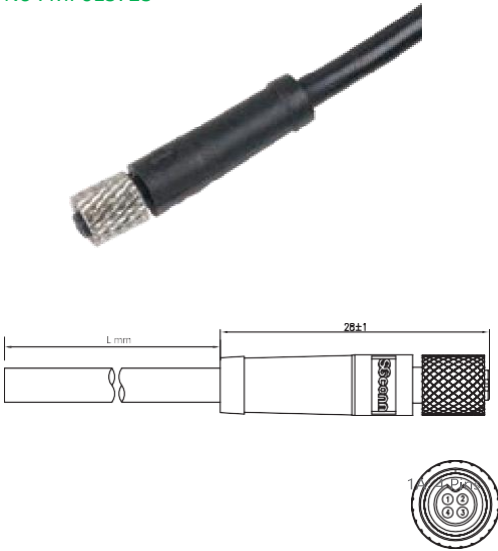
Female Connector + Female pin | Male Connector + Male pin

Cable OD : Max Ø3.5 mm
Cable Length : Standard 1000mm (L: customized)

Cable OD : Max Ø3.5 mm
Cable Length : Standard 1000mm (L: customized)

Part No : MP013723

Part No : MP013724



M12, Molded with Cable

2A : 8 pins

5A : 5 pins

Female Connector + Female pin | Male Connector + Male pin

Cable OD : Max Ø7.0 mm
Cable Length : Standard 1000mm (L: customized)

Cable OD : Max Ø7.0 mm
Cable Length : Standard 1000mm (L: customized)

Part No : MP013725 (2A: 8pins)
Part No : MP013726 (5A: 5pins)

Part No : MP013727 (2A: 8pins)
Part No : MP013728 (5A: 5pins)



Molded with Cable

1A : 6 pins

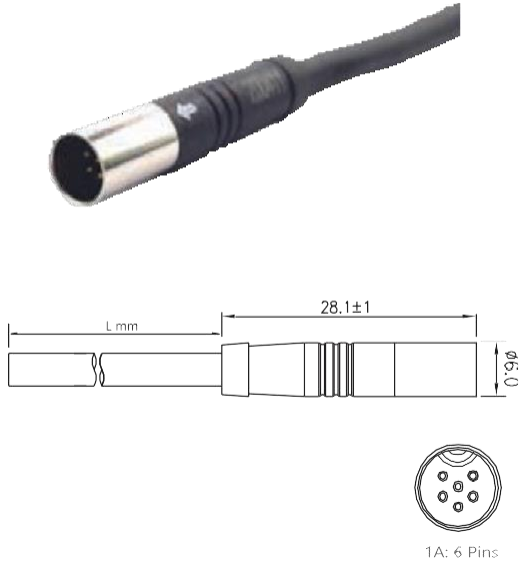
Female Connector + Male pin | Male Connector + Female pin

Cable OD : Max Ø3.6 mm
Cable Length : Standard 1000mm (L: customized)

Cable OD : Max Ø3.6 mm
Cable Length : Standard 1000mm (L: customized)

Part No : MP013729

Part No : MP013730



Molded with Cable

10A+2A : 3+3 pins

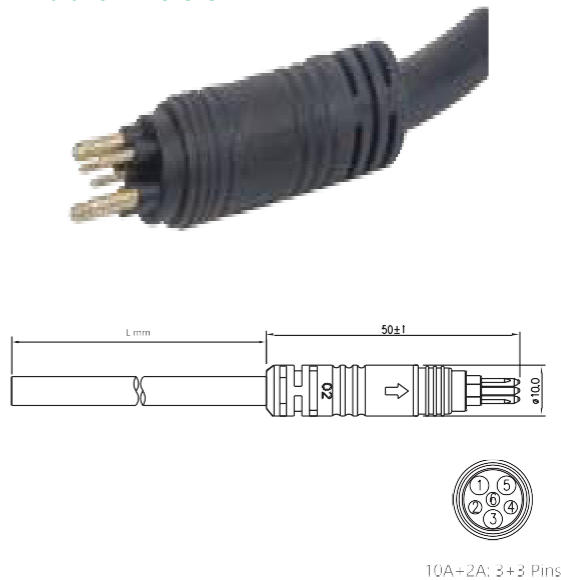
Female Connector + Female pin | Male Connector + Male pin

Cable OD : Max Ø6.2 mm
Cable Length : Standard 1000mm (L: customized)

Cable OD : Max Ø5.6 mm
Cable Length : Standard 1000mm (L: customized)

Part No : MP013731

Part No : MP013732



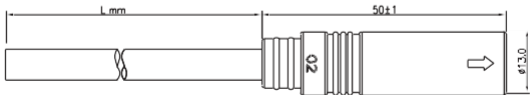
Molded with Cable

10A+5A : 3+6 pins

Female Connector + Female pin

Cable OD : Max Ø6.6 mm
Cable Length : Standard 1000mm (L: customized)

Part No : MP013733

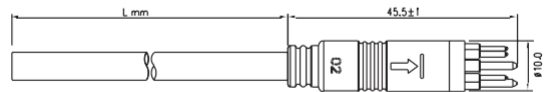


10A+5A : 3+6 Pins

Male Connector + Male pin

Cable OD : Max Ø5.9 mm
Cable Length : Standard 1000mm (L: customized)

Part No : MP013734



10A+5A: 3+6 Pins

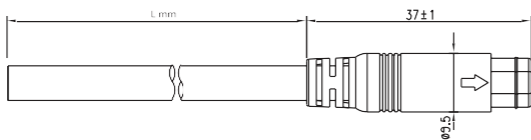
Molded with Cable

10A : 3 pins

Female Connector + Female pin

Cable OD : Max Ø5.6 mm
Cable Length : Standard 1000mm (L: customized)

Part No : MP013735

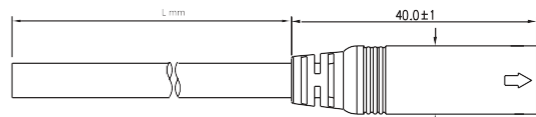


10A: 3 Pins

Male Connector + Male pin

Cable OD : Max Ø5.6 mm
Cable Length : Standard 1000mm (L: customized)

Part No : MP013736



10A: 3 Pins

Molded with Cable

15A+2A : 2+4 pins

Female Connector + Male pin

Cable OD : Max Ø5.5 mm
Cable Length : Standard 1000mm (L: customized)

Part No : MP013737



15A+2A: 2+4 Pins

Male Connector + Female pin

Cable OD : Max Ø5.5 mm
Cable Length : Standard 1000mm (L: customized)

Part No : MP013738



15A+2A: 2+4 Pins

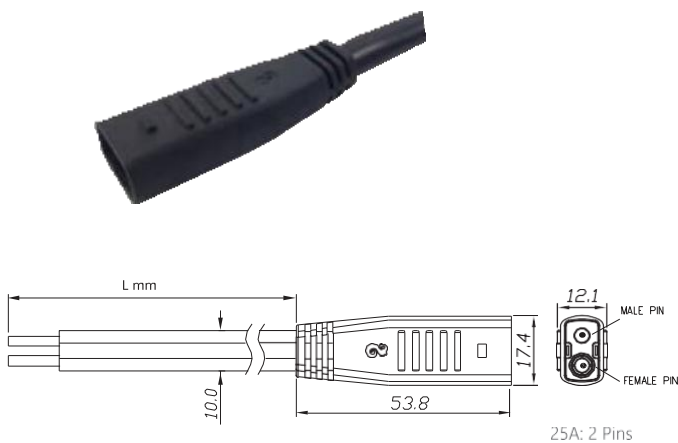
Molded with Cable

25A : 2 pins

Female Connector + Female pin

Cable OD : -
Cable Length : Standard 1000mm (L: customized)

Part No : MP013739

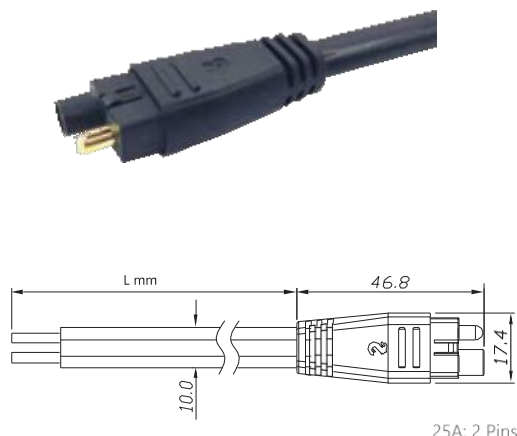


25A: 2 Pins

Male Connector + Male pin

Cable OD : -
Cable Length : Standard 1000mm (L: customized)

Part No : MP013740



25A: 2 Pins

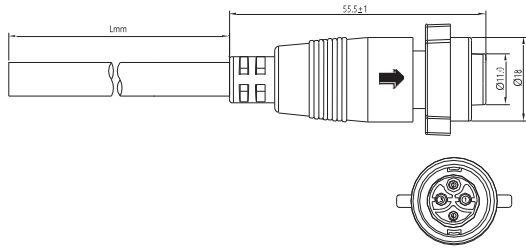
Molded with Cable/ Panel Mount Solder Connector

10A+5A : 2+2 pins

Female Connector + Male pin

Cable OD : -
Cable Length : Standard 1000mm (L: customized)

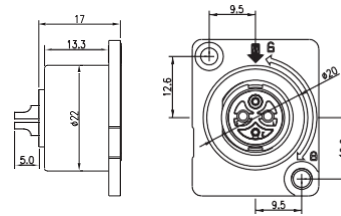
Part No : MP013741



10A+5A: 2+2 Pins

Male Connector + Female pin

Part No : MP013742



10A+5A: 2+2 Pins

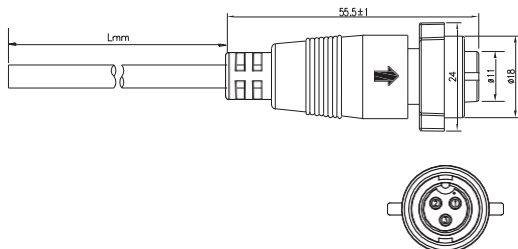
Molded with Cable/ Panel Mount Solder Connector

10A : 3 pins

Female Connector + Male pin

Cable OD : -
Cable Length : Standard 1000mm (L: customized)

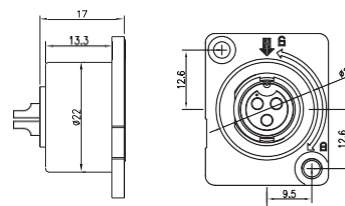
Part No : MP013743



10A: 3 Pins

Male Connector + Female pin

Part No : MP013744



10A: 3 Pins

Molded with Cable/ Panel Mount Solder Connector

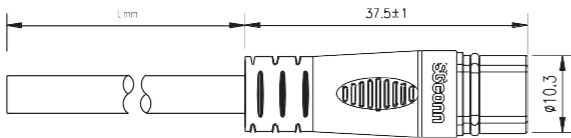
5A+2A : 2+1 pins

5A+2A : 2+3 pins

Male Connector + Male pin

Cable OD : Max Ø5.0 mm (3 pins); Max Ø5.5 mm (5 pins)
Cable Length : Standard 1000mm (L: customized)

Part No : MP013745 (3 pins); MP013746 (5 pins)



5A+2A: 2+1 Pins

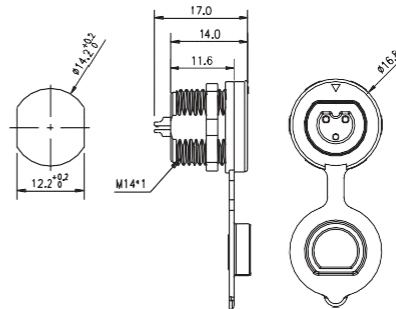


5A+2A: 2+3 Pins



Female Connector + Female pin

Part No : MP013747 (3 pins); MP013748 (5 pins)



5A+2A: 2+1 Pins

5A+2A: 2+3 Pins

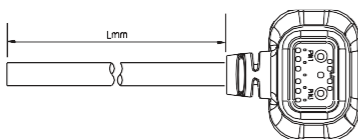
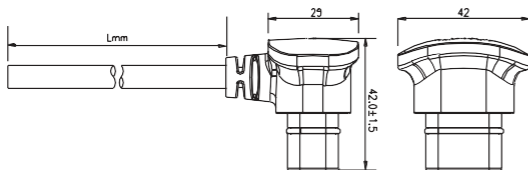
Molded with Cable/ Panel Mount Solder Connector

30A+2A : 2+5 pins

Male Connector + Male pin

Cable OD : Max Ø7.0 mm
Cable Length : Standard 1000mm (L: customized)

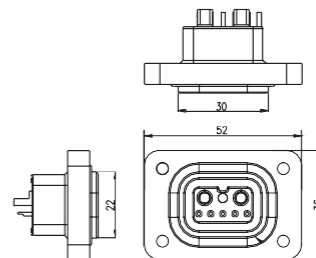
Part No : MP013749



30A+2A: 2+5 Pins

Female Connector + Female pin

Part No : MP013750



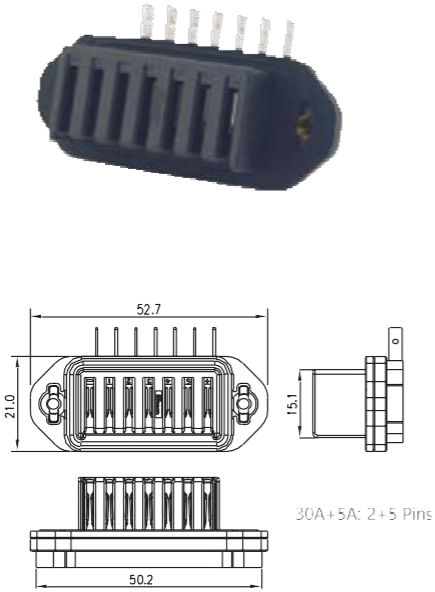
30A+2A: 2+5 Pins

Battery Connector

30A+5A : 2+5 pins

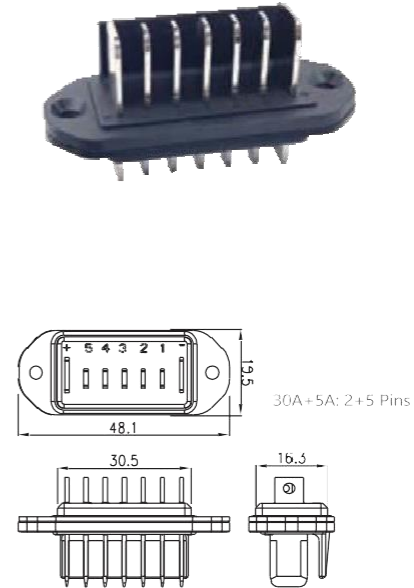
Female Connector + Female pin

Part No : MP013751



Male Connector + Male pin

Part No : MP013752

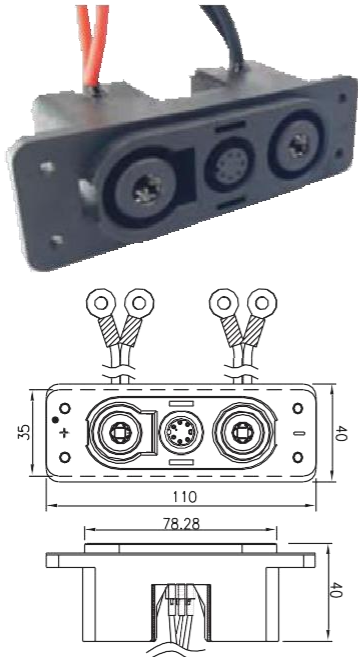


Battery Connector

60A+5A : 2+7 pins

Female Connector + Female pin

Part No : MP013753



Male Connector + Male pin

Part No : MP013754

