



Product Change Notification: MAAN-12RYA0996

Date:

16-Aug-2024

Product Category:

8-Bit Microcontrollers

Notification Subject:

CCB 6690 Final Notice: Qualification of MPHL as a new final test site for selected AT89Cxx, AT89LPxx, AT89S8253, ATMEGA16xx, ATMEGA32, ATMEGA48, ATMEGA6xx, ATMEGA8xx, ATTINY2xx, ATTINY4313 and ATTINY861A device families available in 20L PDIP (.300in), 28L SPDIP (.300in) and 40L PDIP (.600in) packages.

Affected CPNs:

[MAAN-12RYA0996_Affected_CPN_08162024.pdf](#)

[MAAN-12RYA0996_Affected_CPN_08162024.csv](#)

Notification Text:

PCN Status:Final Notification

PCN Type:Manufacturing Change

Microchip Parts Affected:Please open one of the files found in the Affected CPNs section.

Note: For your convenience Microchip includes identical files in two formats (.pdf and .xls)

Description of Change:Qualification of MPHL as a new final test site for selected AT89Cxx, AT89LPxx, AT89S8253, ATMEGA16xx, ATMEGA32, ATMEGA48, ATMEGA6xx, ATMEGA8xx, ATTINY2xx, ATTINY4313 and ATTINY861A device families available in 20L PDIP (.300in), 28L SPDIP (.300in) and 40L PDIP (.600in) packages.

Pre and Post Change Summary:

	Pre Change	Post Change
--	------------	-------------

Final Test Site		Lingsen Precision Industries, LTD. (LPI)	Microchip Technology Operations (Philippines) Corporation (MPHL)	
Base Quantity Multiple (BQM)	20L	18	18	
	28L	14	14	
	40L	10	10	
Pin1 Orientation	20L	Pin# 1 Toward Green stopper or pin	Pin# 1 Toward Green/White stopper or pin	
	28L	Pin# 1 Toward Green stopper or pin		
	40L			
Tube	20L/28L/40L	Color	Clear	Clear
	20L/28L/40L	Dimension	With dimensional changes. See Pre and Post Change summary for comparison.	
Packing Method		See Pre and Post Change summary for comparison.		

Impacts to Data Sheet:None

Change Impact:None

Reason for Change:To improve manufacturability by qualifying MPHL as new final test site.

Change Implementation Status:In Progress

Estimated First Ship Date:September 23, 2024 (date code: 2439)

Note: Please be advised that after the estimated first ship date customers may receive pre and post change parts.

Time Table Summary:

	March 2024					>	August 2024					September 2024				
Workweek	1 0	1 1	1 2	1 3	1 4		3 1	3 2	3 3	3 4	3 5	3 6	3 7	3 8	3 9	4 0
Initial PCN Issue Date		x														
Qual Report Availability									x							
Final PCN Issue Date									x							

MAAN-12RYAO996 - CCB 6690 Final Notice: Qualification of MPHL as a new final test site for selected AT89Cxx, AT89LPxx, AT89S8253, ATMEGA16xx, ATMEGA32, ATMEGA48, ATMEGA6xx, ATMEGA8xx, ATTINY2xx, ATTINY4313 and ATTINY861A device families available in 20L PDIP (.300in), 28L SPDIP (.300in) and 40L PDIP (.600in) packages.

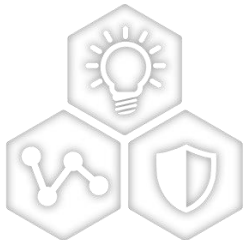
Affected Catalog Part Numbers (CPN)

ATTINY261A-PU
AT89LP2052-20PU
AT89LP4052-20PU
AT89C2051-12PU
AT89C2051-24PU
ATTINY2313V-10PU
ATTINY2313-20PU
AT89C4051-24PU
ATTINY861A-PU
ATTINY2313A-PU
ATTINY26L-8PU
ATTINY4313-PU
ATTINY26-16PU
ATMEGA644-20PU
ATMEGA644P-20PU
ATMEGA32-16PU
ATMEGA8515-16PU
ATMEGA162-16PU
ATMEGA8535-16PU
AT89S8253-24PU
AT89C51RC-24PU
AT89C55WD-24PU
ATMEGA8-16PUA4
ATMEGA88V-10PU
ATMEGA168-20PU
ATMEGA48-20PU

CCB 6690
Pre and Post Change Summary
PCN #: MAAN-12RYAO996



A Leading Provider of Smart, Connected and Secure Embedded Control Solutions



SMART | CONNECTED | SECURE

Pre and Post Change Summary

20L PDIP Tube

Plant	LPI	MPHL
Base Quantity Multiple (BQM)	18	18
Pin1 Orientation	Pin# 1 Toward Green stopper or pin	Pin# 1 Toward Green/White stopper or pin

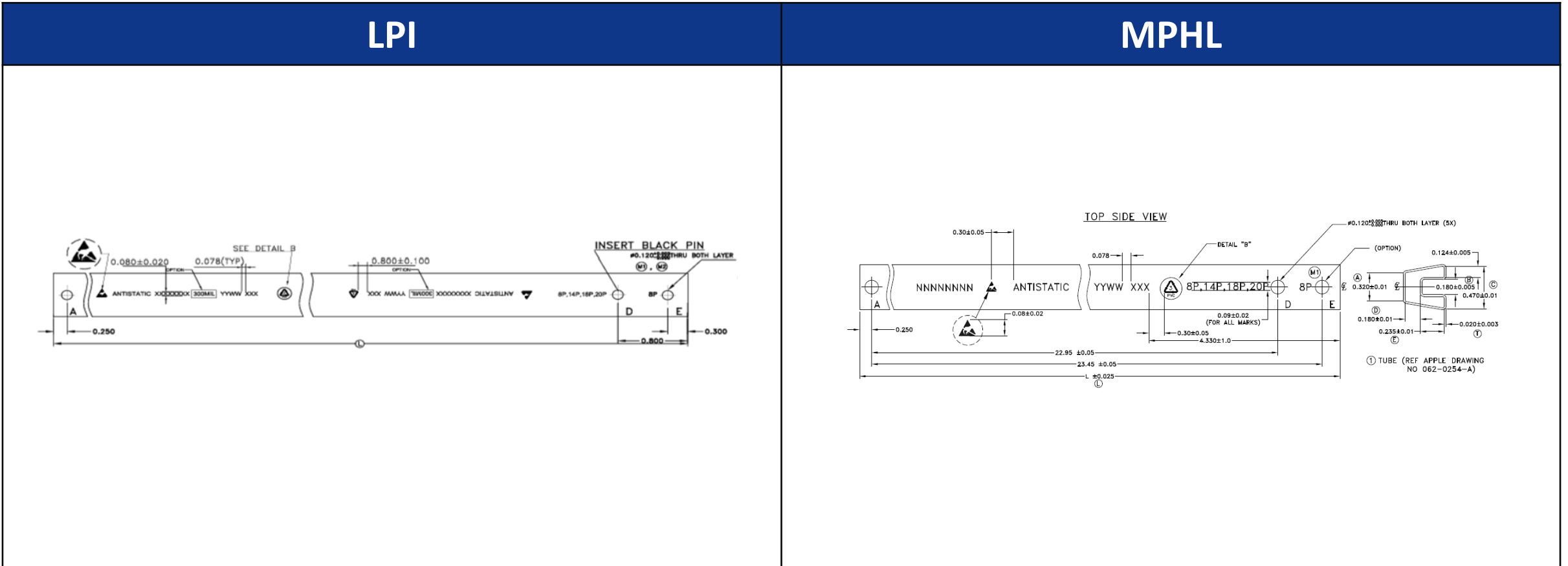
28L SPDIP Tube

Plant	LPI	MPHL
Base Quantity Multiple (BQM)	14	14
Pin1 Orientation	Pin# 1 Toward Green stopper or pin	Pin# 1 Toward Green stopper or pin

40L PDIP Tube

Plant	LPI	MPHL
Base Quantity Multiple (BQM)	10	10
Pin1 Orientation	Pin# 1 Toward Green stopper or pin	Pin# 1 Toward Green stopper or pin

Pre and Post Change Summary – 20L Tube



Plant	Color	Length (in)	Width (in)
LPI	Clear	20.33	0.47 +/- 0.01
MPHL	Clear	23.45 +/- 0.075	0.47 +/- 0.01

Pre and Post Change Summary – Antistatic Shielding Bag – 20L Tube

LPI



MPHL



Plant	Length (cm)	Width (cm)
LPI	77	21
MPHL	76	23

Pre and Post Change Summary – Carton Box – 20L Tube

LPI



MPHL

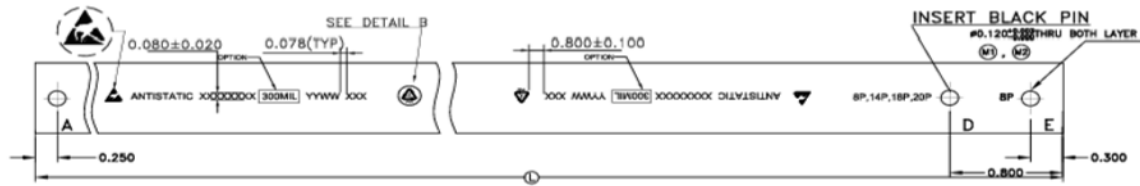


Length (cm)	Width (cm)	Height (cm)
28	60	11
43	60	19

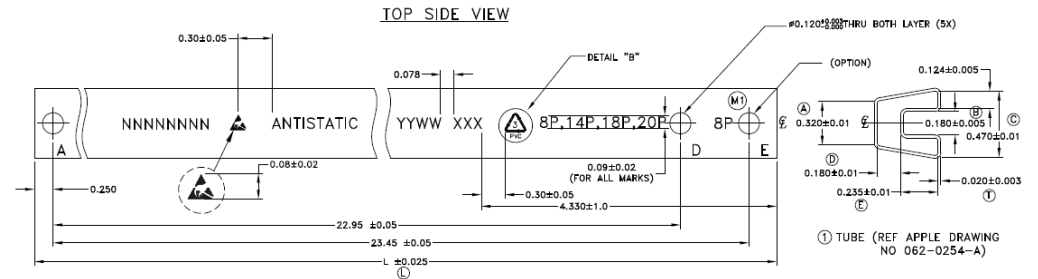
Length (cm)	Width (cm)	Height (cm)
56	13	7.8

Pre and Post Change Summary – 28L Tube

LPI



MPHL



Plant	Color	Length (in)	Width (in)
LPI	Clear	20.33	0.47 +/- 0.01
MPHL	Clear	24 +/- 0.025	0.47 +/- 0.01

Pre and Post Change Summary – Antistatic Shielding Bag – 28L Tube

LPI



MPHL



Plant	Length (cm)	Width (cm)
LPI	77	21
MPHL	76	23

Pre and Post Change Summary – Carton Box – 28L Tube

LPI



MPHL

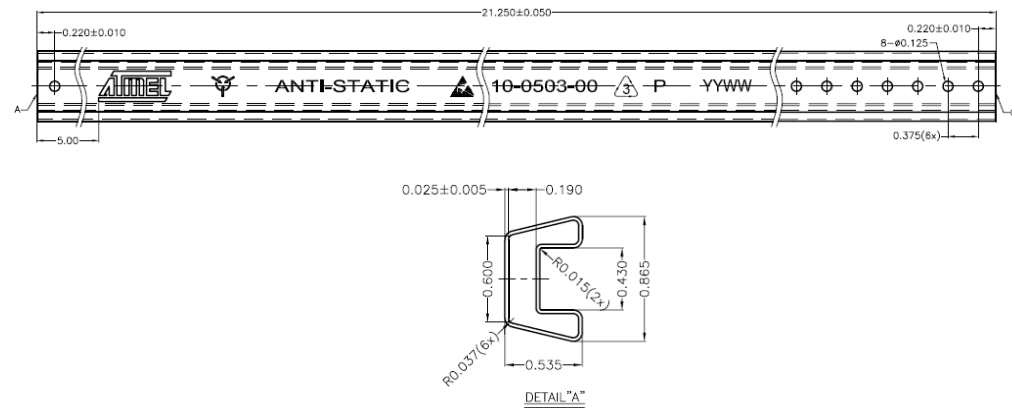


Length (cm)	Width (cm)	Height (cm)
28	60	11
43	60	19

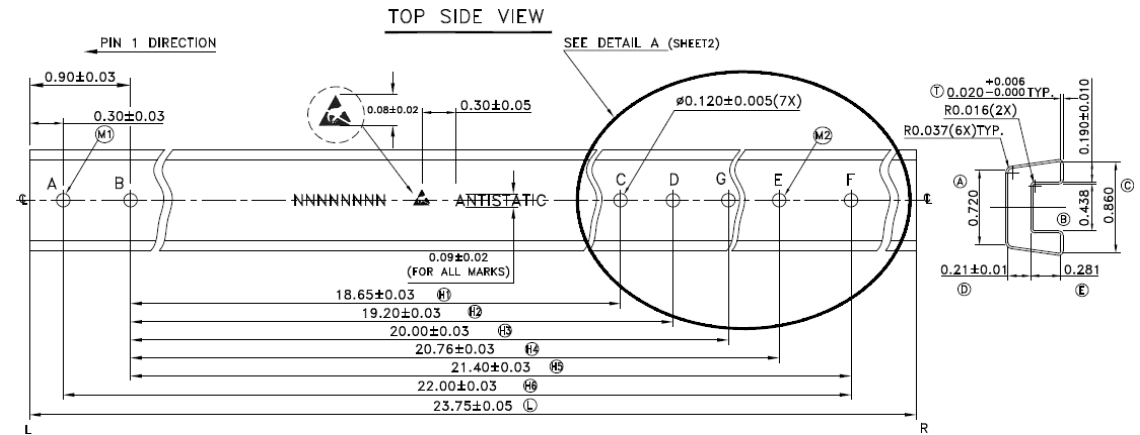
Length (cm)	Width (cm)	Height (cm)
56	13	7.8

Pre and Post Change Summary – 40L Tube

LPI



MPHL



Plant	Color	Length (in)	Width (in)
LPI	Clear	21.25	0.865
MPHL	Clear	23.75 +/- 0.05	0.860

Pre and Post Change Summary – Antistatic Shielding Bag – 40L Tube

LPI



MPHL



Plant	Length (cm)	Width (cm)
LPI	77	21
MPHL	76	23

Pre and Post Change Summary – Carton Box – 40L Tube

LPI



MPHL



Length (cm)	Width (cm)	Height (cm)
28	60	11
43	60	19

Length (cm)	Width (cm)	Height (cm)
56	13	7.8



MICROCHIP

QUALIFICATION REPORT SUMMARY

PCN#: MAAN-12RYAO996

Date

August 6, 2024

Qualification of MPHL as a new final test site for selected AT89Cxx, AT89LPxx, AT89S8253, ATMEGA16xx, ATMEGA32, ATMEGA48, ATMEGA6xx, ATMEGA8xx, ATTINY2xx, ATTINY4313 and ATTINY861A device families available in 20L PDIP (.300in), 28L SPDIP (.300in) and 40L PDIP (.600in) packages.



MICROCHIP
PACKAGE QUALIFICATION PLAN

Purpose

Qualification of MPHL as a new final test site for selected AT89Cxx, AT89LPxx, AT89S8253, ATMEGA16xx, ATMEGA32, ATMEGA48, ATMEGA6xx, ATMEGA8xx, ATTINY2xx, ATTINY4313 and ATTINY861A device families available in 20L PDIP (.300in), 28L SPDIP (.300in) and 40L PDIP (.600in) packages.

CCB No.:

6690

Test / Evaluation	Test Condition / Parameter	Result
Datalog/Bin Comparison	<ul style="list-style-type: none">• Compare test numbers, test names, test sequence bin assignments & pass/fail results• Accept if all match or justify the differences.	Passed
Site by Site Verification	<ul style="list-style-type: none">• Verifies the channel map has the correct site assignments and tester/handler communications work correctly.	Passed
Correlation Lot Report	<ul style="list-style-type: none">• Yield comparison between systems and test sites.• Accept on yield match within 0.1%.	Passed
Test Stability Verification	<ul style="list-style-type: none">• 50 loop test performed with no datalog delays.<ul style="list-style-type: none">- Accept on 0 fails	Passed