

EXTERNAL DESKTOP POWER SUPPLY 12VDC 84WATT

PowerPax: SW4027B




Features:

- Universal Input
- IEC-320-C6 Input Connector
- 3 Year Warranty
- Efficiency Level VI

Description:

Our Range of 84 watt AC/DC switch mode power supplies provide 84 watts of continuous output power in a high quality compact enclosure suitable for many general power applications.

Specification	
Part Code	SW4027B
Input Voltage Range	100 → 240Vac
Input Frequency Range	50 → 60Hz
Input Connector	IEC 320-C6
Input Current	1.2A Max
Inrush Current	60A Max. / 230Vac
Leakage Current	<0.25mA
Efficiency	≥88% Min
Power Consumption	Max. 0.21W
Output Voltage Rating	12 VDC
Output Current Range	7A
Total Power	84W
Output Connection Type	4PIN DIN (KYCON KPPX-4P Type)
Over Voltage Protection	V out *(150% Max.)
Over Current Protection	I out *(150% Max.)
Short Circuit Protection	Automatic recovery after short-circuit fault being removed
Ripple Voltage	150 mV Max.
Hi-Pot	3000 Vac 10mA 1 min
Safety Approved	UL / cUL / GS / CB / PSE / BSMI / RCM / PSB
EMI Standard	FCC Class B, CE
Operating Temperature Range	0°C → +40°C
Storage Temperature	-20°C → +80°C
Operating Humidity	20% to 80%
Storage Humidity	10% to 90%
Dimensions	151 (L) x 64 (W) x 36 (H) mm
Product Weight	460g
MTBF	300,000 Hrs.
Regulator Type	Switched Mode Power Supply

General Note

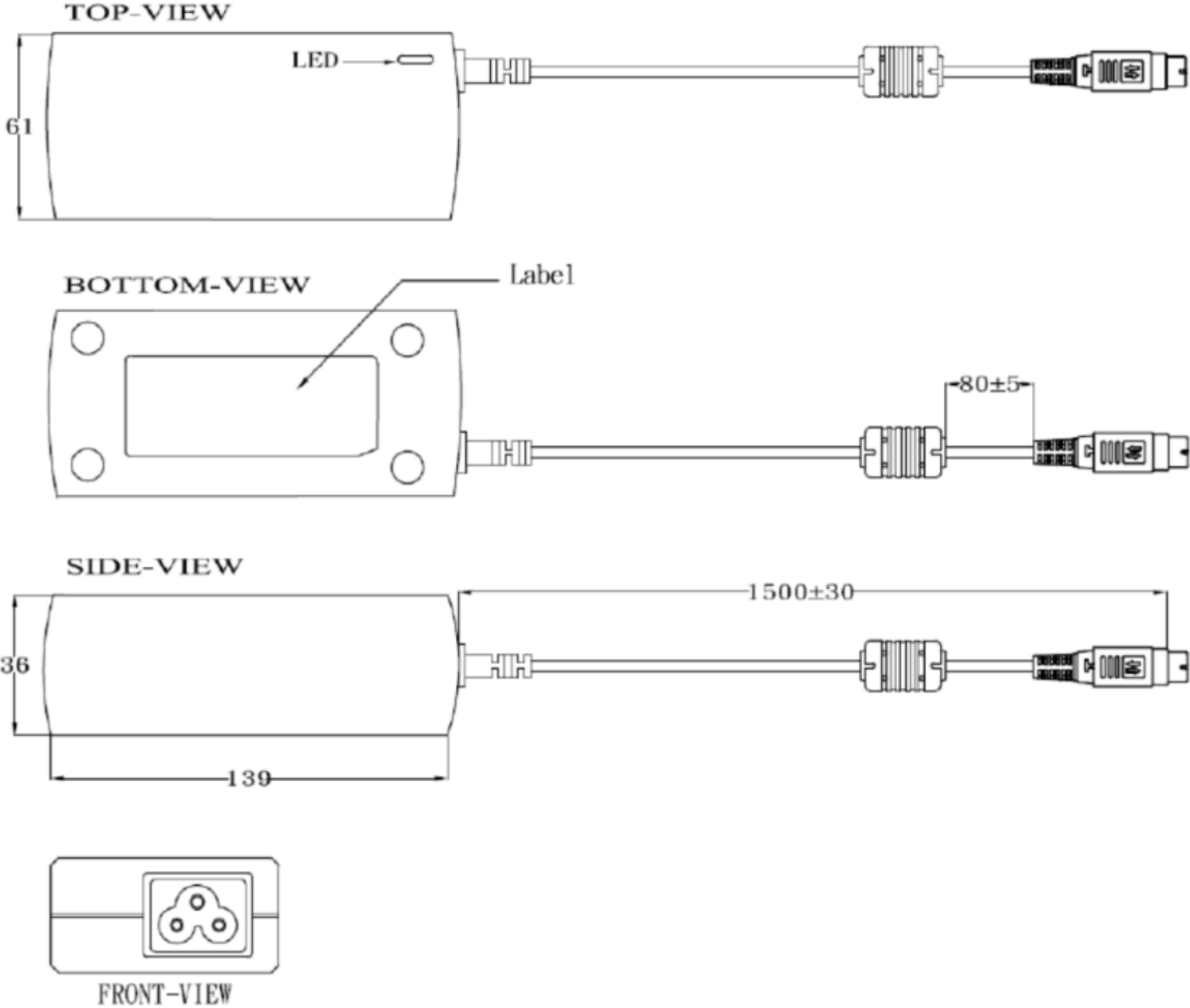
Cicor Hartlepool Limited (Formally known as TT Electronics IoT Solutions Ltd) reserves the right to make changes in product specification without notice or liability. All information is subject to Cicor's own data and is considered accurate at time of going to print.

Cicor Hartlepool Limited (Formally known as TT Electronics IoT Solutions Ltd)
Tofts Farm East, Brenda Road, Hartlepool, TS25 2BQ, UK
t: +44 (0) 1429 852 500

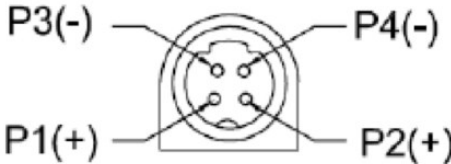
**EXTERNAL DESKTOP POWER
SUPPLY 12VDC 84WATT
PowerPax: SW4027B**



Diagrams



Output Connector Pinout



General Note
Cicor Hartlepool Limited (Formally known as TT Electronics IoT Solutions Ltd) reserves the right to make changes in product specification without notice or liability. All information is subject to Cicor's own data and is considered accurate at time of going to print.

Cicor Hartlepool Limited (Formally known as TT Electronics IoT Solutions Ltd)
Tofts Farm East, Brenda Road, Hartlepool, TS25 2BQ, UK
t: +44 (0) 1429 852 500