

Automatic Reset Thermostat

multicomp PRO

**RoHS
Compliant**

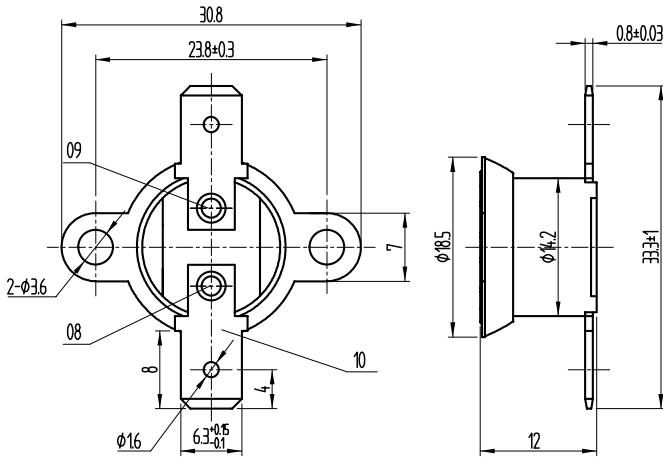


Specifications

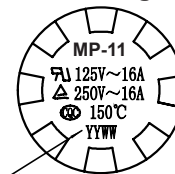
Type	: Housing Type, Phenolic Height 12mm Phenolic Housing and Shield Material
Max. Off Temperature	: 85°C
Max. On Temperature	: 100°C
Rated Current	: 15/16 Amps
Terminal Selection	: 6.3mm×0.8mm, 90° Angle & Nickel Plated Brass 6.3mm×0.8mm, 0° Angle & Nickel Plated Brass
Switch Type	: Close on rise (Normally Open)

Diagram

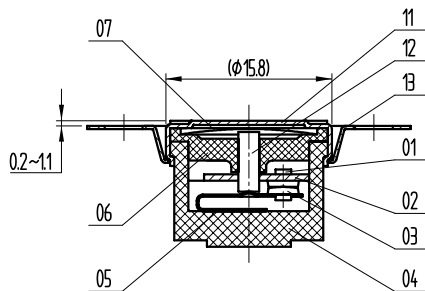
Horizontal Diagram



Marking



Date Code:
(22: 2022 year; WW: No. ** week)



Tolerance if not specified

Dimension	0 to 9	9.1 to 16	16.1 to 30	>30
Tolerance	±0.2	±0.3	±0.4	±0.5

No.	Part Name	Material	Qty.	
1	Stationary Contact	AgNi/Cu (T2)	1	
2	Stationary arm	Brass		
3	Movable Contact	AgNi/Cu (T2)		
4	Case	PF		
5	Movable arm	Alloy Copper		
6	Top Cover	PF		
7	Bimetal Disc	Bimetal		
8	Short Rivet	Steel (Tin Plated)		
9	Long Rivet	Steel (Tin Plated)		
10	Terminal	Brass (Nickel Plated)		2
11	Cap	Aluminium		1
12	Actuator Pin	Ceramic		
13	Flange	SUS430		

Dimensions : Millimetres

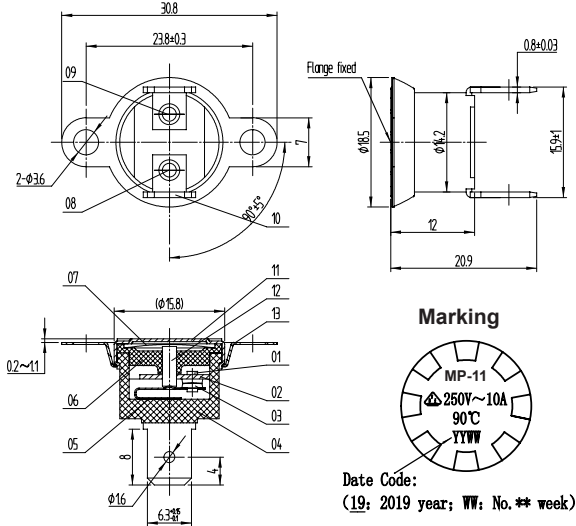
Newark.com/multicomp-pro
Farnell.com/multicomp-pro
sg.element14.com/b/multicomp-pro

multicomp PRO

Automatic Reset Thermostat



Vertical Diagram



No.	Part Name	Material	Qty.
1	Stationary Contact	AgNi/Cu (T2)	1
2	Stationary arm	Brass	
3	Movable Contact	AgNi/Cu (T2)	
4	Case	PF	
5	Movable arm	Alloy Copper	
6	Top Cover	PF	
7	Bimetal Disc	Bimetal	
8	Short Rivet	Copper	
9	Long Rivet	Copper	
10	Terminal	Brass (Nickel Plated)	
11	Cap	Aluminium	1
12	Actuator Pin	Ceramic	

Dimensions : Millimetres

Part Number Table

Description	Orientation	Type	Temperature		Part Number
Automatic Reset Thermostat	Horizontal	N/O	Set 40°C ±3°C	Reset 25°C ±5°C	MP-11-25/40/E121B14H22K
		N/O	Set 50°C ±3°C	Reset 35°C ±5°C	MP-11-35/50/E121B14H22K
		N/O	Set 60°C ±3°C	Reset 45°C ±4°C	MP-11-45/60/E121B14H22K
		N/O	Set 70°C ±3°C	Reset 55°C ±5°C	MP-11-55/70/E121B14H22K
		N/O	Set 80°C ±3°C	Reset 65°C ±5°C	MP-11-65/80/E121B14H22K
		N/O	Set 90°C ±3°C	Reset 75°C ±5°C	MP-11-75/90/E121B14H22K
	Vertical	N/O	Set 100°C ±3°C	Reset 85°C ±5°C	MP-11-85/100/E121B14H22K
		N/O	Set 40°C ±3°C	Reset 25°C ±5°C	MP-11-25/40/E111B14H22K
		N/O	Set 50°C ±3°C	Reset 35°C ±5°C	MP-11-35/50/E111B14H22K
		N/O	Set 60°C ±3°C	Reset 45°C ±4°C	MP-11-45/60/E111B14H22K
		N/O	Set 70°C ±3°C	Reset 55°C ±5°C	MP-11-55/70/E111B14H22K
		N/O	Set 80°C ±3°C	Reset 65°C ±5°C	MP-11-65/80/E111B14H22K
		N/O	Set 90°C ±3°C	Reset 75°C ±5°C	MP-11-75/90/E111B14H22K
		N/O	Set 100°C ±3°C	Reset 85°C ±5°C	MP-11-85/100/E111B14H22K

Important Notice : This data sheet and its contents (the "Information") belong to the members of the AVNET group of companies (the "Group") or are licensed to it. No licence is granted for the use of it other than for information purposes in connection with the products to which it relates. No licence of any intellectual property rights is granted. The Information is subject to change without notice and replaces all data sheets previously supplied. The Information supplied is believed to be accurate but the Group assumes no responsibility for its accuracy or completeness, any error in or omission from it or for any use made of it. Users of this data sheet should check for themselves the Information and the suitability of the products for their purpose and not make any assumptions based on information included or omitted. Liability for loss or damage resulting from any reliance on the Information or use of it (including liability resulting from negligence or where the Group was aware of the possibility of such loss or damage arising) is excluded. This will not operate to limit or restrict the Group's liability for death or personal injury resulting from its negligence. Multicomp Pro is the registered trademark of Premier Farnell Limited 2019.

Newark.com/multicomp-pro
Farnell.com/multicomp-pro
sg.element14.com/b/multicomp-pro

