

Manual Reset Thermostat

multicomp PRO

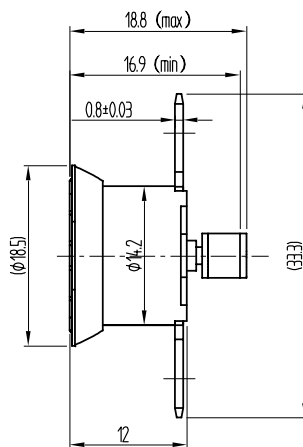
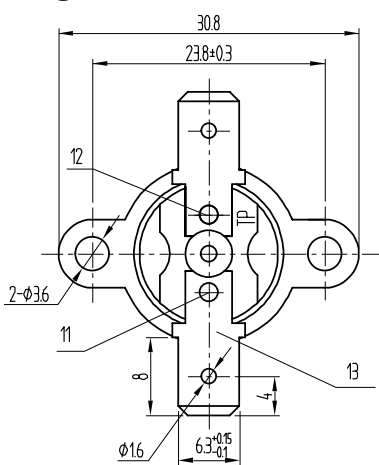
**RoHS
Compliant**



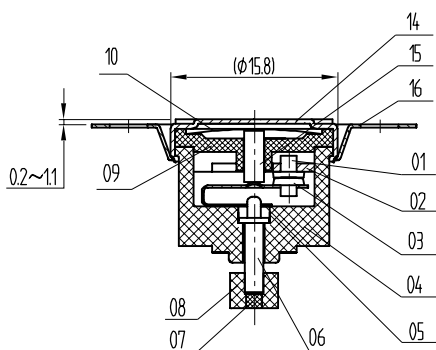
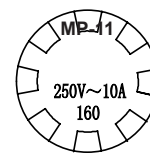
Specifications

Heat Resistant	: 170°C
Resistance Between Terminals	: Below 50mΩ at DC5V/0.25A
Insulated Resistance	: Above 100MΩ with DC500V between Terminals and Cap
Dielectric Strength	: 1500V AC @ 1 min. between terminals and cap
Set Temperatures	: 15°C to 250°C
Standards According	: GB14536. 1-2008, GB14536. 10-2008, GB/T22687-2008, EN60730-1, EN60730-2-9
Terminals	: Quick Connect Horizontal

Diagram



Marking



Tolerance if not specified

Dimension	0 to 9	9.1 to 16	16.1 to 30	>30
Tolerance	±0.2	±0.3	±0.4	±0.5

No.	Part Name	Material	Qty.
1	Stationary Contact	AgNi/Cu (T2)	1
2	Stationary arm	Brass	
3	Movable Contact	AgNi/Cu (T2)	
4	Case	PF	
5	Movable arm	Alloy Copper	
6	Reset Pin	Steel (Nickel Plated)	
7	Bonding	427A	
8	Reset Button	PF	
9	Top Cover	PF	
10	Bimetal Disc	Bimetal	
11	Short Rivet	Steel (Tin Plated)	
12	Long Rivet	Steel (Tin Plated)	
13	Terminal	Brass (Nickel Plated)	
14	Cap	Aluminium	1
15	Actuator Pin	Ceramic	
16	Flange	SUS430	

Dimensions : Millimetres

Newark.com/multicomp-pro
Farnell.com/multicomp-pro
sg.element14.com/b/multicomp-pro

multicomp PRO

Part Number Table

Description	Part Number
Manual Reset Thermostat, Reset 60°C ±3°C	MP-11-60/-/E121B14H221
Manual Reset Thermostat, Reset 70°C ±3°C	MP-11-70/-/E121B14H221
Manual Reset Thermostat, Reset 80°C ±3°C	MP-11-80/-/E121B14H221
Manual Reset Thermostat, Reset 90°C ±3°C	MP-11-90/-/E121B14H221
Manual Reset Thermostat, Reset 100°C ±3°C	MP-11-100/-/E121B14H221
Manual Reset Thermostat, Reset 110°C ±4°C	MP-11-110/-/E121B14H221
Manual Reset Thermostat, Reset 120°C ±4°C	MP-11-120/-/E121B14H221
Manual Reset Thermostat, Reset 130°C ±4°C	MP-11-130/-/E121B14H221
Manual Reset Thermostat, Reset 140°C ±4°C	MP-11-140/-/E121B14H221

Important Notice : This data sheet and its contents (the "Information") belong to the members of the AVNET group of companies (the "Group") or are licensed to it. No licence is granted for the use of it other than for information purposes in connection with the products to which it relates. No licence of any intellectual property rights is granted. The Information is subject to change without notice and replaces all data sheets previously supplied. The Information supplied is believed to be accurate but the Group assumes no responsibility for its accuracy or completeness, any error in or omission from it or for any use made of it. Users of this data sheet should check for themselves the Information and the suitability of the products for their purpose and not make any assumptions based on information included or omitted. Liability for loss or damage resulting from any reliance on the Information or use of it (including liability resulting from negligence or where the Group was aware of the possibility of such loss or damage arising) is excluded. This will not operate to limit or restrict the Group's liability for death or personal injury resulting from its negligence. Multicomp Pro is the registered trademark of Premier Farnell Limited 2019.