

Specifications

Material
 Insulator: LCP, UL 94V-0, Black
 Contact: Copper Alloy
 Mid Plate: Stainless Steel
 Shell: Stainless Steel

Plating
 Contact
 Contact Area: 3µ" Au over 50µ" min. Nickel
 Solder Tails: Gold Flash over 50µ" min. Nickel
 Shell: 30µ" min. Nickel
 Mid Plate: Clear

Electrical
 Current Rating: 5.00A collectively for VBUS pins
 6.25A collectively for GND pins
 1.25A for A5/B5 pin
 0.25A per pin for all other pins
 Voltage Rating: 48V DC
 Power Rating: 240W
 Contact Resistance: 40mΩ max initial.
 50mΩ max after test
 Dielectric Withstanding Voltage: 100V AC
 Insulation Resistance 100MΩ min

Mechanical & Environmental
 Operating Temperature: -25°C to +85°C
 Mating Force: 5 to 20 N.
 Unmated Force: 6 to 20 N after test
 Durability: 20,000 cycles

Ordering Grid

USB4235 - 03 - C
Request Samples and Quotation

Contact Plating
 03 = 3µ" Gold

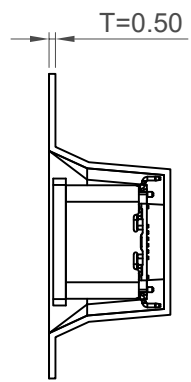
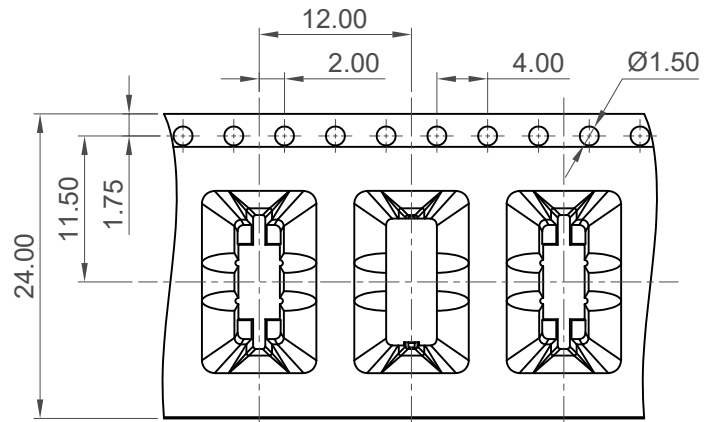
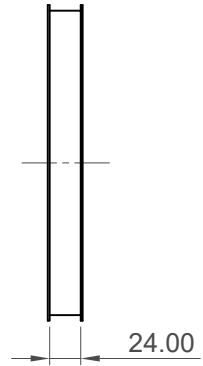
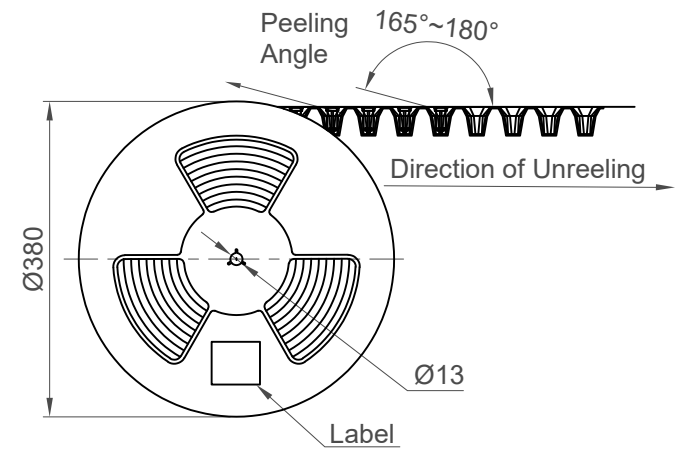
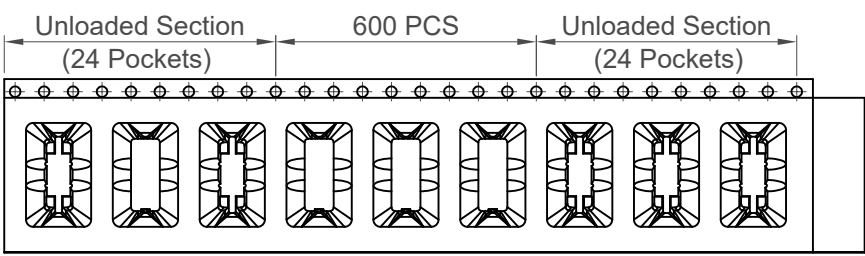
Packing Options
 C = Tape & Reel with Cap
 (600pcs per reel)

Part Number		Product Description	
USB4235		USB2.0 Type C Receptacle, Vertical, SMT, 16Pin	
Drawing Date		21st August 2024	
By	KY	Tolerances (Except as Noted)	Units:
Detail	Drawing Release	Length	Metric (mm)
Revision	A	X.X ± 0.30	
Date	21/08/24	X.XX ± 0.25	
		X.XXX ± 0.10	

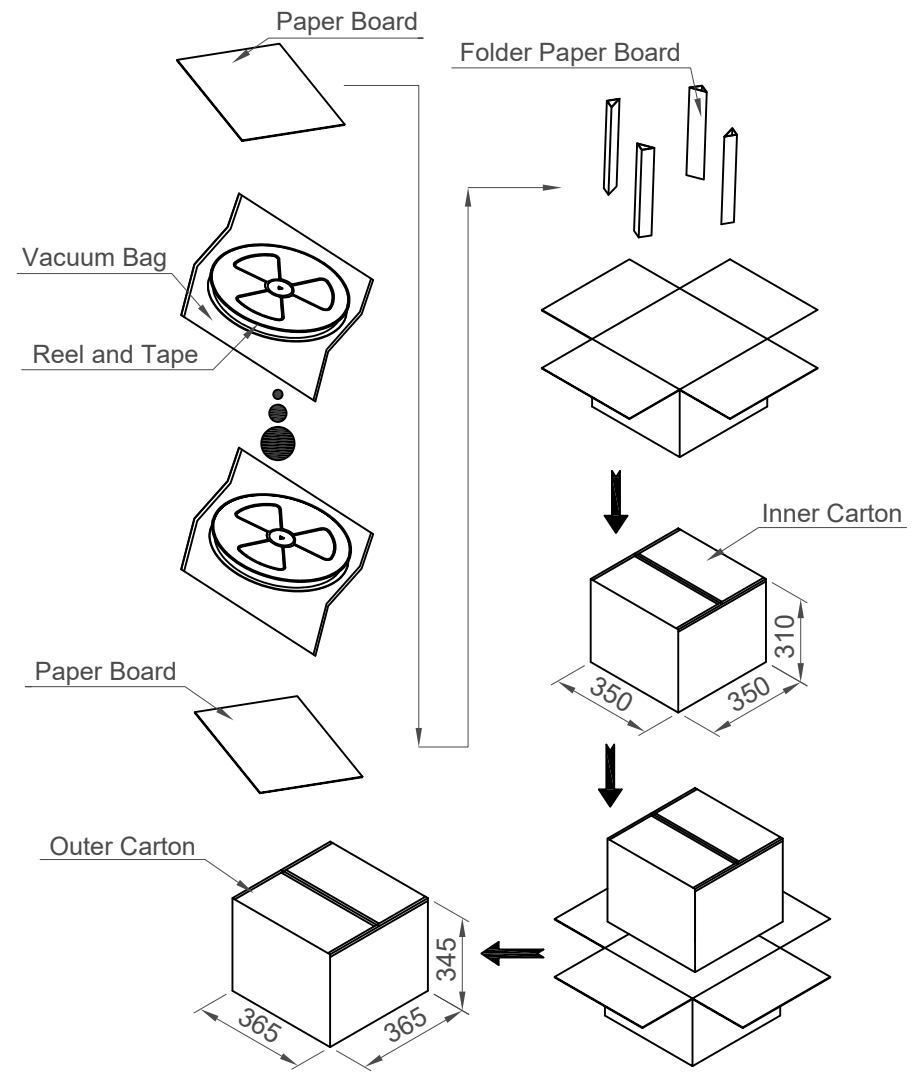
This drawing is confidential and copyright of Global Connector Technology, Ltd (GCT).
 This drawing must not be copied or disclosed without written consent. E & OE

GCT
www.gct.co

Not to Scale	Drawn By KY	Sheet No. 1/3
--------------	----------------	------------------



Direction of Unreeling



Pcs / Reel	Reels /Carton	Total Quantity
600	10	6000 pcs

Part Number		Product Description	
USB4235		USB2.0 Type C Receptacle, Vertical, SMT, 16Pin	
Drawing Date		21st August 2024	
By	KY	Tolerances (Except as Noted)	Units:
Detail	Drawing Release	Length	Metric (mm)
Revision	A	Angle	3rd Angle Projection
Date	21/08/24		



This drawing is confidential and copyright of Global Connector Technology, Ltd (GCT). This drawing must not be copied or disclosed without written consent. E & OE



Not to Scale	Drawn By KY	Sheet No. 3/3
--------------	----------------	------------------