

# ETD-BL-1T-230-PT - Timer relay



2905814

<https://www.phoenixcontact.com/gb/products/2905814>

Please be informed that the data shown in this PDF document is generated from our online catalog. Please find the complete data in the user documentation. Our general terms of use for downloads are valid.



Compact multi-functional timer relay with 4 functions and an adjustable time range (50 ms - 1 h), with Push-in connection, 1 changeover contact

## Product description

Increasingly higher demands are being placed on safety and system availability – across all sectors. Processes are becoming more and more complex, not only in mechanical engineering and the chemical industry, but also in plant and automation technology. Demands on power engineering are also increasing constantly.

The timer relays in the ETD series can be used to control time sequences in production and process technology.

## Commercial data

Item number	2905814
Packing unit	1 pc
Minimum order quantity	1 pc
Sales key	CK4541
Product key	CK4541
Catalog page	Page 256 (C-5-2019)
GTIN	4055626003344
Weight per piece (including packing)	71.9 g
Weight per piece (excluding packing)	70.4 g
Customs tariff number	85364900
Country of origin	AT

# ETD-BL-1T-230-PT - Timer relay



2905814

<https://www.phoenixcontact.com/gb/products/2905814>

## Technical data

### Product properties

Product type	Timer relay
Operating mode	100% operating factor
Mechanical service life	15x 10 <sup>6</sup> cycles

### Data management status

Article revision	00
------------------	----

### Insulation characteristics

Insulation	Basic insulation
Overvoltage category	III
Pollution degree	2

### Electrical properties

Service life electrical	1x 10 <sup>5</sup> cycles
Nominal frequency	48 Hz ... 63 Hz
Test voltage relay winding/relay contact	4 kV

### Input data

Input voltage range	24 V AC/DC ... 240 V AC/DC -15 % ... +10 %
Temperature coefficient, typical	≤ 0.01 %/K
Recovery time	100 ms
Function	E: With switch-on delay Rs: With release delay and control contact Es: With switch-on delay and control contact Ws: With single shot leading edge and control contact
Setting range time	50 ms ... 1 h (5 time end ranges)
Basic accuracy	± 1 % (of scale end value)
Setting accuracy	≤ 5 % (of scale end value)
Repeat accuracy	≤ 0.5 % ±5 ms

### Control

Connection name	Non-floating, terminals A1-B1
Control pulse length	≥ 50 ms (DC) ≥ 100 ms (AC)

### Output data

#### Switching

Contact switching type	1 floating changeover contact
Maximum switching voltage	250 V AC (in acc. with IEC 60664-1)
Interrupting rating (ohmic load) max.	1250 VA (5 A / 250 V AC)
Output fuse	5 A (fast-blow)

# ETD-BL-1T-230-PT - Timer relay



2905814

<https://www.phoenixcontact.com/gb/products/2905814>

## Connection data

Connection method	Push-in connection
Stripping length	8 mm
Conductor cross section rigid	0.14 mm <sup>2</sup> ... 2.5 mm <sup>2</sup>
Conductor cross section flexible	0.14 mm <sup>2</sup> ... 2.5 mm <sup>2</sup>
Conductor cross section AWG	26 ... 14

## Signaling

Status display	Green LED (POWER)
	Yellow LED (relay active)

## Dimensions

Width	17.5 mm
Height	89.5 mm
Depth	65.5 mm

## Material specifications

Color	gray (RAL 7042)
Flammability rating according to UL 94	V0

## Environmental and real-life conditions

### Ambient conditions

Degree of protection (Housing)	IP40 (Housing)
Degree of protection (Connection terminal blocks)	IP20 (Connection terminal blocks)
Ambient temperature (operation)	-25 °C ... 55 °C
Ambient temperature (storage/transport)	-25 °C ... 70 °C
Permissible humidity (operation)	15 % ... 85 %

## Approvals

### CE

Certificate	CE-compliant
-------------	--------------

### UKCA

Certificate	UKCA-compliant
-------------	----------------

### UL, USA/Canada

Identification	UL 508 Listed
----------------	---------------

## EMC data

Electromagnetic compatibility	Conformance with EMC directive
Low Voltage Directive	Conformance with Low Voltage Directive
Noise immunity	EN 61000-6-2
Noise emission	EN 61000-6-3

# ETD-BL-1T-230-PT - Timer relay



2905814

<https://www.phoenixcontact.com/gb/products/2905814>

## Standards and regulations

Standards/regulations	EN 50178
-----------------------	----------

## Mounting

Mounting type	DIN rail mounting
Assembly note	on standard DIN rail NS 35 in accordance with EN 60715
Mounting position	any

# ETD-BL-1T-230-PT - Timer relay

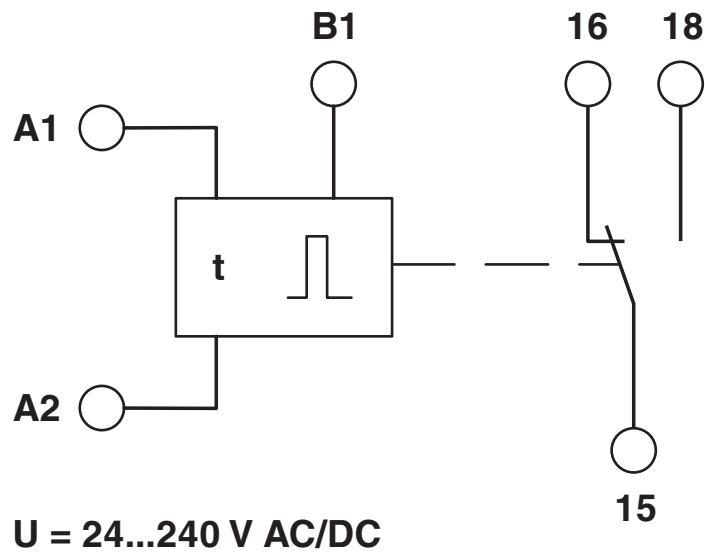
2905814

<https://www.phoenixcontact.com/gb/products/2905814>



## Drawings

Block diagram



# ETD-BL-1T-230-PT - Timer relay



2905814

<https://www.phoenixcontact.com/gb/products/2905814>

## Approvals

To download certificates, visit the product detail page: <https://www.phoenixcontact.com/gb/products/2905814>



**EAC**

Approval ID: RU C-DE.\*\*08.B-00957



**UL Listed**

Approval ID: FILE E 172140



**cUL Listed**

Approval ID: FILE E 172140

**cULus Listed**

# ETD-BL-1T-230-PT - Timer relay



2905814

<https://www.phoenixcontact.com/gb/products/2905814>

## Classifications

### ECLASS

ECLASS-11.0	27371605
ECLASS-12.0	27371605
ECLASS-13.0	27371605

### ETIM

ETIM 9.0	EC001439
----------	----------

### UNSPSC

UNSPSC 21.0	39122300
-------------	----------

# ETD-BL-1T-230-PT - Timer relay



2905814

<https://www.phoenixcontact.com/gb/products/2905814>

## Environmental product compliance

### EU RoHS

Fulfills EU RoHS substance requirements	Yes, No exemptions
---	--------------------

### China RoHS

Environment friendly use period (EFUP)	EFUP-E
	No hazardous substances above the limits

### EU REACH SVHC

REACH candidate substance (CAS No.)	No substance above 0.1 wt%
-------------------------------------	----------------------------

Phoenix Contact 2024 © - all rights reserved  
<https://www.phoenixcontact.com>

PHOENIX CONTACT Ltd  
Halesfield 13, Telford  
Shropshire, TF7 4PG  
01952 681700  
[info@phoenixcontact.co.uk](mailto:info@phoenixcontact.co.uk)