

# Product datasheet

Specifications



## Modicon TM3 - 4 analog outputs (spring) 24Vdc

TM3AQ4G

EAN Code: 3606480648991

### Main

Range of product	Modicon TM3
Product or component type	Analog output module
Range compatibility	Modicon M221 Modicon M241 Modicon M251 Modicon M262
Analogue output number	4
Analogue output type	Current: 4...20 mA Current: 0...20 mA Voltage: 0...10 V Voltage: - 10...10 V

### Complementary

Analogue input resolution	12 bits 11 bits + sign
Analogue output resolution	12 bits 11 bits + sign
LSB value	2.44 mV 0...10 Vvoltage 4.88 mV - 10...10 Vvoltage 4.88 µA 0...20 mAcurrent 3.91 µA 4...20 mAcurrent
Load type	Resistive
Load impedance ohmic	1 kOhm voltage 300 Ohm current
Stabilisation time	1 ms
Conversion time	1 ms + 1 ms per channel + 1 controller cycle time
Absolute accuracy error	+/- 1 % of full scale +/- 0.2 % of full scale at 25 °C
Temperature drift	+/- 0.01 %FS/°C
Repeat accuracy	+/- 0.4 %FS
Non-linearity	+/- 0.2 %FS
Output ripple	20 mV
Cross talk	<= 1 LSB
[Us] rated supply voltage	24 V DC
Supply voltage limits	20.4...28.8 V
Type of cable	Twisted shielded pairs cable <30 m for output circuit

<b>Current consumption</b>	40 mA at 5 V DC via bus connector no load 50 mA at 5 V DC via bus connector full load 50 mA at 24 V DC via external supply no load 125 mA at 24 V DC via external supply full load
<b>Local signalling</b>	1 LED (green) for PWR
<b>Electrical connection</b>	11 x 2.5 mm <sup>2</sup> removable spring terminal block with pitch 5.08 mm adjustment for outputs and supply
<b>Insulation</b>	Between output and supply at 1500 V AC Between output and internal logic at 500 V AC
<b>Marking</b>	CE
<b>Surge withstand</b>	1 kV power supply common mode conforming to IEC 61000-4-5 0.5 kV power supply differential mode conforming to IEC 61000-4-5 1 kV output common mode conforming to IEC 61000-4-5
<b>Mounting support</b>	Top hat type TH35-15 rail conforming to IEC 60715 Top hat type TH35-7.5 rail conforming to IEC 60715 plate or panel with fixing kit
<b>Height</b>	90 mm
<b>Depth</b>	70 mm
<b>Width</b>	23.6 mm
<b>Net weight</b>	0.1 kg

## Environment

<b>Standards</b>	IEC 61131-2
<b>Product certifications</b>	CE UKCA RCM EAC cULus cULus HazLoc
<b>Resistance to electrostatic discharge</b>	8 kV in air conforming to IEC 61000-4-2 4 kV on contact conforming to IEC 61000-4-2
<b>Resistance to electromagnetic fields</b>	10 V/m 80 MHz...1 GHz conforming to IEC 61000-4-3 3 V/m 1.4 GHz...2 GHz conforming to IEC 61000-4-3 1 V/m 2 GHz...3 GHz conforming to IEC 61000-4-3
<b>Resistance to magnetic fields</b>	30 A/m conforming to IEC 61000-4-8
<b>Resistance to fast transients</b>	1 kV (I/O) conforming to IEC 61000-4-4
<b>Resistance to conducted disturbances</b>	10 V 0.15...80 MHz conforming to IEC 61000-4-6 3 V spot frequency (2, 3, 4, 6.2, 8.2, 12.6, 16.5, 18.8, 22, 25 MHz) conforming to Marine specification (LR, ABS, DNV, GL)
<b>Electromagnetic emission</b>	Radiated emissions - test level: 40 dBµV/m QP class A ( 10 m) at 30...230 MHz conforming to IEC 55011 Radiated emissions - test level: 47 dBµV/m QP class A ( 10 m) at 230...1000 MHz conforming to IEC 55011
<b>Immunity to microbreaks</b>	10 ms
<b>Ambient air temperature for operation</b>	-10...55 °C horizontal installation -10...35 °C vertical installation
<b>Ambient air temperature for storage</b>	-25...70 °C
<b>Relative humidity</b>	10...95 %, without condensation (in operation) 10...95 %, without condensation (in storage)
<b>IP degree of protection</b>	IP20
<b>Pollution degree</b>	2
<b>Operating altitude</b>	0...2000 m

<b>Storage altitude</b>	0...3000 m
<b>Vibration resistance</b>	3.5 mm at 5...8.4 Hz on DIN rail 3 gn at 8.4...150 Hz on DIN rail
<b>Shock resistance</b>	15 gn for 11 ms

## Packing Units

<b>Unit Type of Package 1</b>	PCE
<b>Number of Units in Package 1</b>	1
<b>Package 1 Height</b>	7.5 cm
<b>Package 1 Width</b>	12.5 cm
<b>Package 1 Length</b>	10.5 cm
<b>Package 1 Weight</b>	200.0 g
<b>Unit Type of Package 2</b>	S02
<b>Number of Units in Package 2</b>	9
<b>Package 2 Height</b>	15 cm
<b>Package 2 Width</b>	30 cm
<b>Package 2 Length</b>	40 cm
<b>Package 2 Weight</b>	2.316 kg
<b>Unit Type of Package 3</b>	P12
<b>Number of Units in Package 3</b>	288
<b>Package 3 Height</b>	75 cm
<b>Package 3 Width</b>	120 cm
<b>Package 3 Length</b>	80 cm
<b>Package 3 Weight</b>	83 kg

## Contractual warranty

<b>Warranty</b>	18 months
-----------------	-----------

## Sustainability

**Green Premium™ label** is Schneider Electric's commitment to delivering products with best-in-class environmental performance. Green Premium promises compliance with the latest regulations, transparency on environmental impacts, as well as circular and low-CO<sub>2</sub> products.

**Guide to assessing product sustainability** is a white paper that clarifies global eco-label standards and how to interpret environmental declarations.

[Learn more about Green Premium >](#)

[Guide to assess a product's sustainability >](#)



Transparency RoHS/REACH

## Well-being performance

Toxic Heavy Metal Free

Mercury Free

Rohs Exemption Information Yes

## Certifications & Standards

Reach Regulation [REACH Declaration](#)

Eu Rohs Directive Pro-active compliance (Product out of EU RoHS legal scope)  
[EU RoHS Declaration](#)

China Rohs Regulation [China RoHS declaration](#)

Environmental Disclosure [Product Environmental Profile](#)

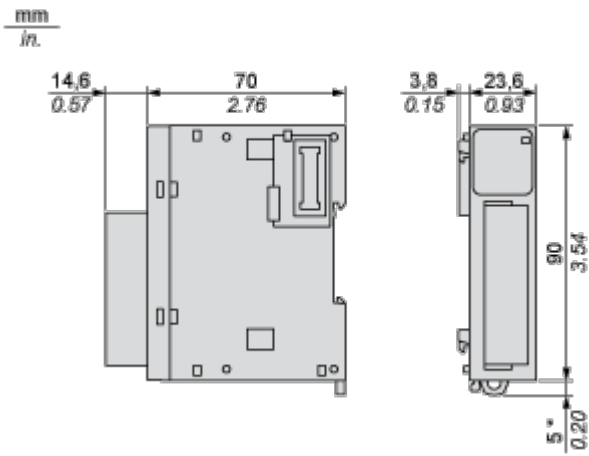
Weee The product must be disposed on European Union markets following specific waste collection and never end up in rubbish bins

Circularity Profile [End of Life Information](#)

Dimensions Drawings

Dimensions

---

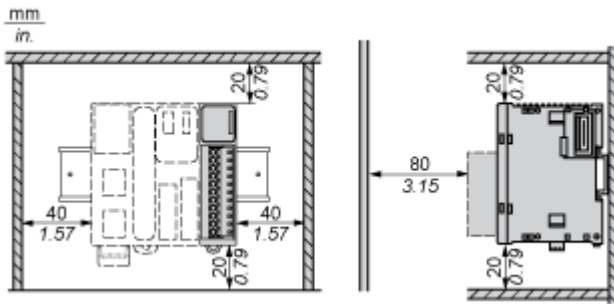


(\*) 8.5 mm/0.33 in when the clamp is pulled out.

Mounting and Clearance

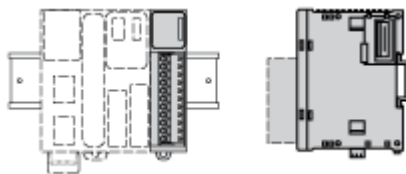
Spacing Requirements

---

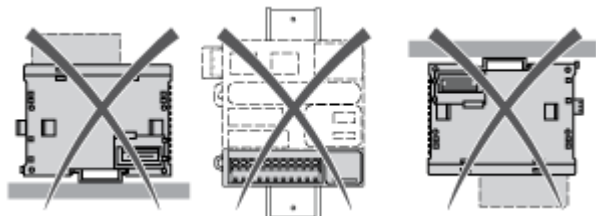


Mounting on a Rail

---

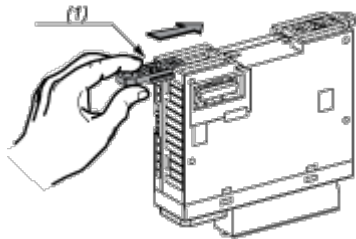


**Incorrect Mounting**



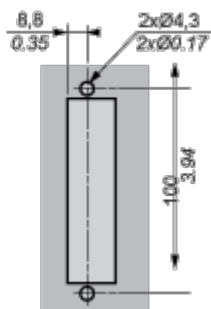
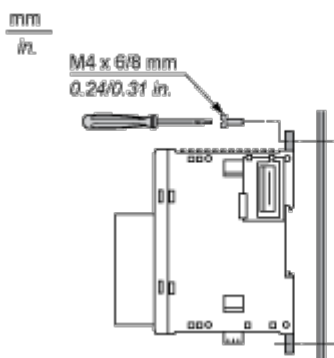
**Mounting on a Panel Surface**

---



- (1) Install a mounting strip

**Mounting Hole Layout**



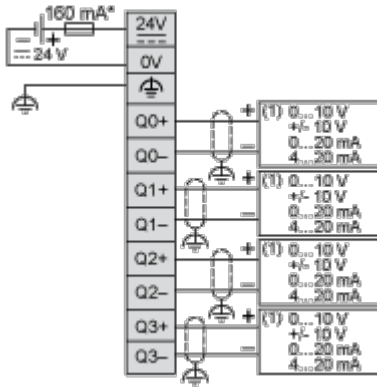


Connections and Schema

Analogue Output Module

---

Wiring Diagram (Current / Voltage)



(\*) Type T fuse

(1) Voltage/current pre-actuator