

Product datasheet

Specifications



Modicon TM3 - 8 outputs transistor PNP (spring)

TM3DQ8TG

EAN Code: 3606480611476

Main

| | |
|---------------------------|--|
| Range of product | Modicon TM3 |
| Product or component type | Discrete output module |
| Range compatibility | Modicon M241 Modicon M251 Modicon M221 Modicon M262 |
| Discrete output type | Transistor |
| Discrete output number | 8 |
| Discrete output logic | Positive logic (source) |
| Discrete output voltage | 24 V DC for transistor output |
| Discrete output current | 500 mA for transistor output |

Complementary

| | |
|--|--|
| Discrete I/O number | 8 |
| Current consumption | 5 mA at 5 V DC via bus connector (at state off) 0 mA at 24 V DC via bus connector (at state off) 20 mA at 24 V DC via bus connector (at state on) 10 mA at 5 V DC via bus connector (at state on) |
| Response time | 450 µs (turn-on) 450 µs (turn-off) |
| Maximum leakage current | 0.1 mA for transistor output |
| Maximum voltage drop | <0.4 V |
| Maximum tungsten load | <3 W for transistor output |
| Local signalling | 1 LED per channel (green) for output status |
| Electrical connection | 11 x 2.5 mm ² removable spring terminal block with pitch 5.08 mm adjustment for outputs |
| Maximum cable distance between devices | Unshielded cable: <30 m for transistor output |
| Insulation | Between output and internal logic at 500 V AC Non-insulated between outputs |
| Marking | CE |
| Mounting support | Top hat type TH35-15 rail conforming to IEC 60715 Top hat type TH35-7.5 rail conforming to IEC 60715 plate or panel with fixing kit |
| Height | 90 mm |
| Depth | 84.6 mm |
| Width | 27.4 mm |

| | |
|------------|---------|
| Net weight | 0.76 kg |
|------------|---------|

Environment

| | |
|---------------------------------------|--|
| Standards | IEC 61131-2 |
| Product certifications | CE cULus UKCA RCM EAC cULus HazLoc |
| Resistance to electrostatic discharge | 8 kV in air conforming to IEC 61000-4-2 4 kV on contact conforming to IEC 61000-4-2 |
| Resistance to electromagnetic fields | 10 V/m 80 MHz...1 GHz conforming to IEC 61000-4-3 3 V/m 1.4 GHz...2 GHz conforming to IEC 61000-4-3 1 V/m 2 GHz...3 GHz conforming to IEC 61000-4-3 |
| Resistance to magnetic fields | 30 A/m 50/60 Hz conforming to IEC 61000-4-8 |
| Resistance to fast transients | 1 kV for I/O conforming to IEC 61000-4-4 |
| Surge withstand | 1 kV I/O common mode conforming to IEC 61000-4-5 DC |
| Resistance to conducted disturbances | 10 V 0.15...80 MHz conforming to IEC 61000-4-6 3 V spot frequency (2, 3, 4, 6.2, 8.2, 12.6, 16.5, 18.8, 22, 25 MHz) conforming to Marine specification (LR, ABS, DNV, GL) |
| Electromagnetic emission | Radiated emissions - test level: 40 dB μ V/m QP class A (10 m) at 30...230 MHz conforming to IEC 55011 Radiated emissions - test level: 47 dB μ V/m QP class A (10 m) at 230...1000 MHz conforming to IEC 55011 |
| Ambient air temperature for operation | -10...35 °C vertical installation -10...55 °C horizontal installation |
| Ambient air temperature for storage | -25...70 °C |
| Relative humidity | 10...95 %, without condensation (in operation) 10...95 %, without condensation (in storage) |
| IP degree of protection | IP20 with protective cover in place |
| Pollution degree | 2 |
| Operating altitude | 0...2000 m |
| Storage altitude | 0...3000 m |
| Vibration resistance | 3.5 mm at 5...8.4 Hz on DIN rail 3 gn at 8.4...150 Hz on DIN rail 3.5 mm at 5...8.4 Hz on panel 3 gn at 8.4...150 Hz on panel |
| Shock resistance | 15 gn for 11 ms |

Packing Units

| | |
|------------------------------|---------|
| Unit Type of Package 1 | PCE |
| Number of Units in Package 1 | 1 |
| Package 1 Height | 7.5 cm |
| Package 1 Width | 12.5 cm |
| Package 1 Length | 10.5 cm |
| Package 1 Weight | 230.0 g |
| Unit Type of Package 2 | S02 |
| Number of Units in Package 2 | 9 |
| Package 2 Height | 15 cm |

| | |
|------------------------------|----------|
| Package 2 Width | 30 cm |
| Package 2 Length | 40 cm |
| Package 2 Weight | 2.234 kg |
| Unit Type of Package 3 | P06 |
| Number of Units in Package 3 | 144 |
| Package 3 Height | 75 cm |
| Package 3 Width | 60 cm |
| Package 3 Length | 80 cm |
| Package 3 Weight | 45 kg |

Contractual warranty

| | |
|----------|-----------|
| Warranty | 18 months |
|----------|-----------|

Sustainability

Green Premium™ label is Schneider Electric's commitment to delivering products with best-in-class environmental performance. Green Premium promises compliance with the latest regulations, transparency on environmental impacts, as well as circular and low-CO₂ products.

Guide to assessing product sustainability is a white paper that clarifies global eco-label standards and how to interpret environmental declarations.

[Learn more about Green Premium >](#)

[Guide to assess a product's sustainability >](#)



Transparency RoHS/REACH

Well-being performance

Toxic Heavy Metal Free

Mercury Free

Rohs Exemption Information Yes

Certifications & Standards

Reach Regulation [REACH Declaration](#)

Eu Rohs Directive Pro-active compliance (Product out of EU RoHS legal scope)
[EU RoHS Declaration](#)

China Rohs Regulation [China RoHS declaration](#)

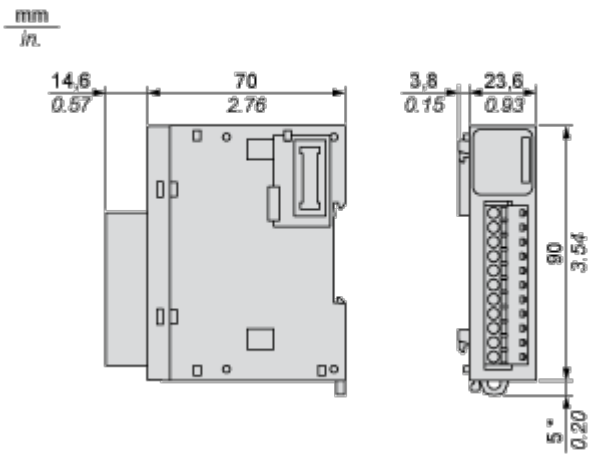
Environmental Disclosure [Product Environmental Profile](#)

Weee The product must be disposed on European Union markets following specific waste collection and never end up in rubbish bins

Circularity Profile [End of Life Information](#)

Dimensions Drawings

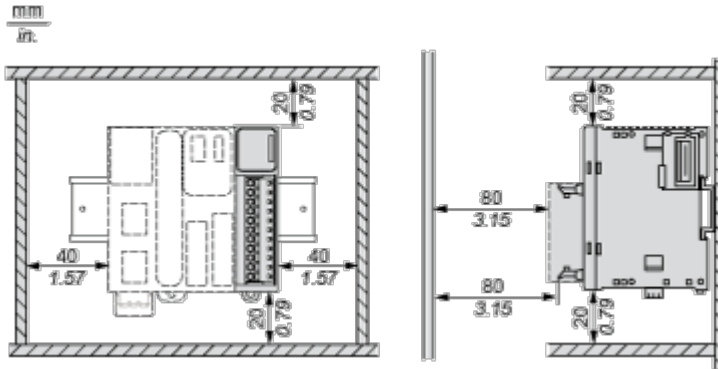
Dimensions



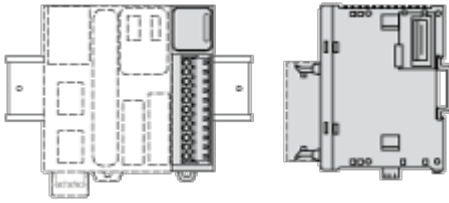
(*) 8.5 mm/0.33 in. when the clamp is pulled out.

Mounting and Clearance

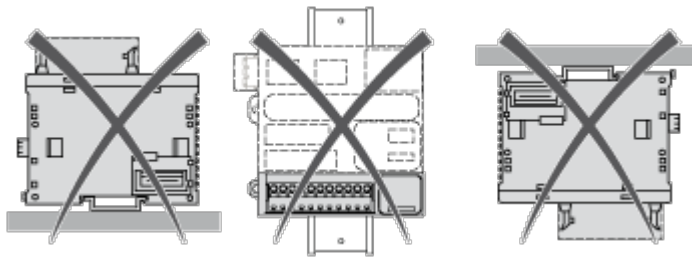
Spacing Requirements



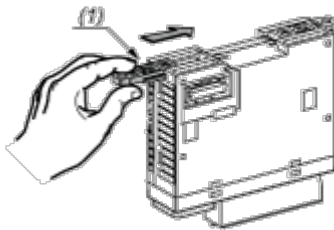
Mounting on a Rail



Incorrect Mounting

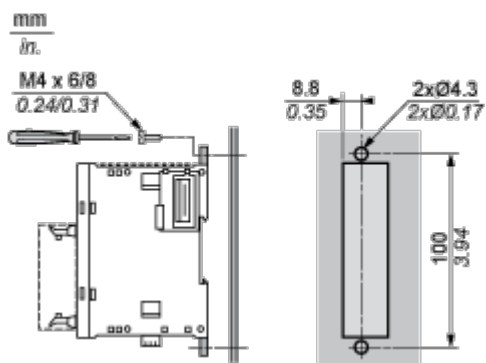


Mounting on a Panel Surface



- (1) Install a mounting strip

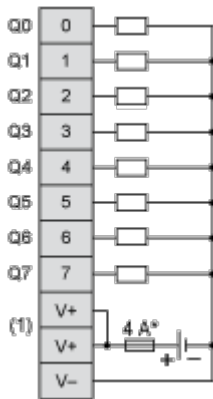
Mounting Hole Layout



Connections and Schema

Digital Transistor Output Module (8-channel, Source)

Wiring Diagram



(*) Type T fuse

(1) The V+ terminals are connected internally.