

PSR-MS21-1NO-1DO-24DC-SC - Safety relays



2702192

<https://www.phoenixcontact.com/in/products/2702192>

Please be informed that the data shown in this PDF document is generated from our online catalog. Please find the complete data in the user documentation. Our general terms of use for downloads are valid.



Safety relay for failsafe controllers up to SIL 3, Cat. 4, PL e, 1-channel operation, autostart, 1 enabling current path, $U_S = 24 \text{ V DC}$ in accordance with IEC 61131-6, fixed screw terminal block

Your advantages

- Up to Cat. 4/PL e in accordance with EN ISO 13849-1, SIL 3 in accordance with EN IEC 62061
- Low housing width of just 6.8 mm
- 1-channel control
- 1 enabling current path, 1 digital signal output
- Couples digital output signals from failsafe controllers to I/O devices (valves, etc.) for electrical isolation and power adaptation
- Automatic activation

Commercial data

Item number	2702192
Packing unit	1 pc
Minimum order quantity	1 pc
Sales key	DNA
Product key	DNA171
Catalog page	Page 219 (C-6-2019)
GTIN	4055626010199
Weight per piece (including packing)	83.4 g
Weight per piece (excluding packing)	69 g
Customs tariff number	85371098
Country of origin	DE

PSR-MS21-1NO-1DO-24DC-SC - Safety relays



2702192

<https://www.phoenixcontact.com/in/products/2702192>

Technical data

Notes

Note on application

Note on application	Only for industrial use
---------------------	-------------------------

Product properties

Product type	Safety relays
Product family	PSRmini
Application	Controllers
Relay type	Electromechanical relay with force-guided contacts in accordance with IEC/EN 61810-3

Data management status

Article revision	02
------------------	----

Times

Typical response time	< 150 ms (automatic start)
Typ. starting time with U_s	< 250 ms (when controlled via A1)
Typical release time	< 20 ms (when controlled via A1)
Restart time	< 1 s (Boot time, after switching on the supply voltage)
Recovery time	< 500 ms (following demand of the safety function)

Electrical properties

Maximum power dissipation for nominal condition	3.1 W ()
Nominal operating mode	100% operating factor

Air clearances and creepage distances between the power circuits

Rated insulation voltage	250 V AC
	250 V AC
Rated surge voltage/insulation	Safe isolation, reinforced insulation 6 kV between input circuit and enabling current path (13/14) Basic insulation 4 kV between all current paths and housing

Supply

Rated control circuit supply voltage U_s	24 V DC -20 % / +25 %
Inrush current	< 11.5 A ()
Protective circuit	Serial protection against polarity reversal; Suppressor diode
	Short-circuit protection

Input data

Digital: A1

Description of the input	NPN
Number of inputs	1 (safety-related)
Input voltage range "0" signal	0 V DC ... 5 V DC

PSR-MS21-1NO-1DO-24DC-SC - Safety relays



2702192

<https://www.phoenixcontact.com/in/products/2702192>

Input voltage range "1" signal	19.2 V ... 30 V
Input current range "0" signal	0 mA ... 2 mA
Inrush current	< 150 mA ()
Filter time	3 ms (Test pulse width of low test pulses)
	1 s (Test pulse rate for low test pulse)
	1 ms (Test pulse width, high test pulse)
	100 ms (Test pulse rate, high test pulse)
	Unless switch-on pulses/light tests are safety-related, they should be disabled.
Max. permissible overall conductor resistance	150 Ω (Input and start circuits at U _S)
Protective circuit	Suppressor diode
Current consumption	typ. 35 mA (at 24 V)

Digital: Start circuit (S35)

Description of the input	NPN
Number of inputs	1 (non-safety-related)
Input voltage range "1" signal	20.4 V ... 26.4 V
Inrush current	< 10 mA
Max. permissible overall conductor resistance	150 Ω
Voltage at input/start and feedback circuit	24 V DC -20 % / +25 %
Current consumption	< 10 mA

Output data

Relay: Enabling current path (13/14)

Output description	2 N/O contacts each in series, safety-related, floating
Number of outputs	1 (undelayed)
Contact switching type	1 enabling current path
Contact material	AgSnO ₂
Switching voltage	min. 12 V AC/DC
	max. 250 V AC/DC
Switching capacity	min. 60 mW
Inrush current	min. 3 mA
	max. 6 A
Switching capacity in accordance with IEC 60947-5-1	5 A (AC15)
	4 A (DC13)
Limiting continuous current	6 A
Sq. Total current	36 A ² (observe derating)
Switching frequency	max. 0.1 Hz
Mechanical service life	10x 10 ⁶ cycles
Output fuse	6 A gL/gG
	4 A gL/gG (for low-demand applications)

Signal: M1

Output description	non-safety-related
Number of outputs	1 (digital, PNP)

PSR-MS21-1NO-1DO-24DC-SC - Safety relays



2702192

<https://www.phoenixcontact.com/in/products/2702192>

Voltage	22 V DC (U _s - 2 V DC)
Current	max. 100 mA
Maximum inrush current	500 mA ($\Delta t = 1 \text{ ms at } U_s$)
Protective circuit	Suppressor diode

Connection data

Connection technology

pluggable	no
-----------	----

Conductor connection

Connection method	Screw connection
Conductor cross section rigid	0.2 mm ² ... 2.5 mm ²
Conductor cross section flexible	0.2 mm ² ... 2.5 mm ²
Conductor cross-section AWG	26 ... 12
Stripping length	12 mm
Screw thread	M3
Tightening torque	0.5 Nm ... 0.6 Nm

Signaling

Status display	2 x LED (green)
Operating voltage display	1 x green LED

Dimensions

Width	6.8 mm
Height	93.1 mm
Depth	102.5 mm

Material specifications

Color (Housing)	yellow (RAL 1018)
Housing material	PBT

Characteristics

Safety data

Stop category	0
---------------	---

Safety data: EN ISO 13849

Category	4
Performance level (PL)	e (4 A DC13; 5 A AC15; 8760 switching cycles/year)

Safety data: IEC 61508 - High demand

Safety Integrity Level (SIL)	3 (4 A DC13; 5 A AC15; 8760 switching cycles/year)
------------------------------	--

Safety data: IEC 61508 - Low demand

Safety Integrity Level (SIL)	3
------------------------------	---

Safety data: EN IEC 62061

PSR-MS21-1NO-1DO-24DC-SC - Safety relays



2702192

<https://www.phoenixcontact.com/in/products/2702192>

Safety Integrity Level (SIL)	3 (4 A DC13; 5 A AC15; 8760 switching cycles/year)
------------------------------	--

Environmental and real-life conditions

Ambient conditions

Degree of protection	IP20
Min. degree of protection of inst. location	IP54
Ambient temperature (operation)	-40 °C ... 60 °C (observe derating)
Ambient temperature (storage/transport)	-40 °C ... 85 °C
Maximum altitude	≤ 2000 m (Above sea level)
Max. permissible humidity (storage/transport)	75 % (on average, 85% infrequently, non-condensing)
Max. permissible relative humidity (operation)	75 % (on average, 85% infrequently, non-condensing)
Shock	15g
Vibration (operation)	10 Hz ... 150 Hz, amplitude 0.15 mm, 2g

Approvals

CE

Certificate	CE-compliant
-------------	--------------

Standards and regulations

Air clearances and creepage distances between the power circuits

Standards/regulations	EN 60947-1
-----------------------	------------

Mounting

Mounting type	DIN rail mounting
Assembly note	See derating curve
Mounting position	vertical or horizontal

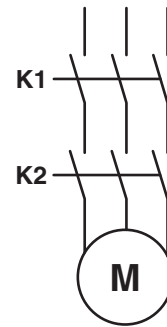
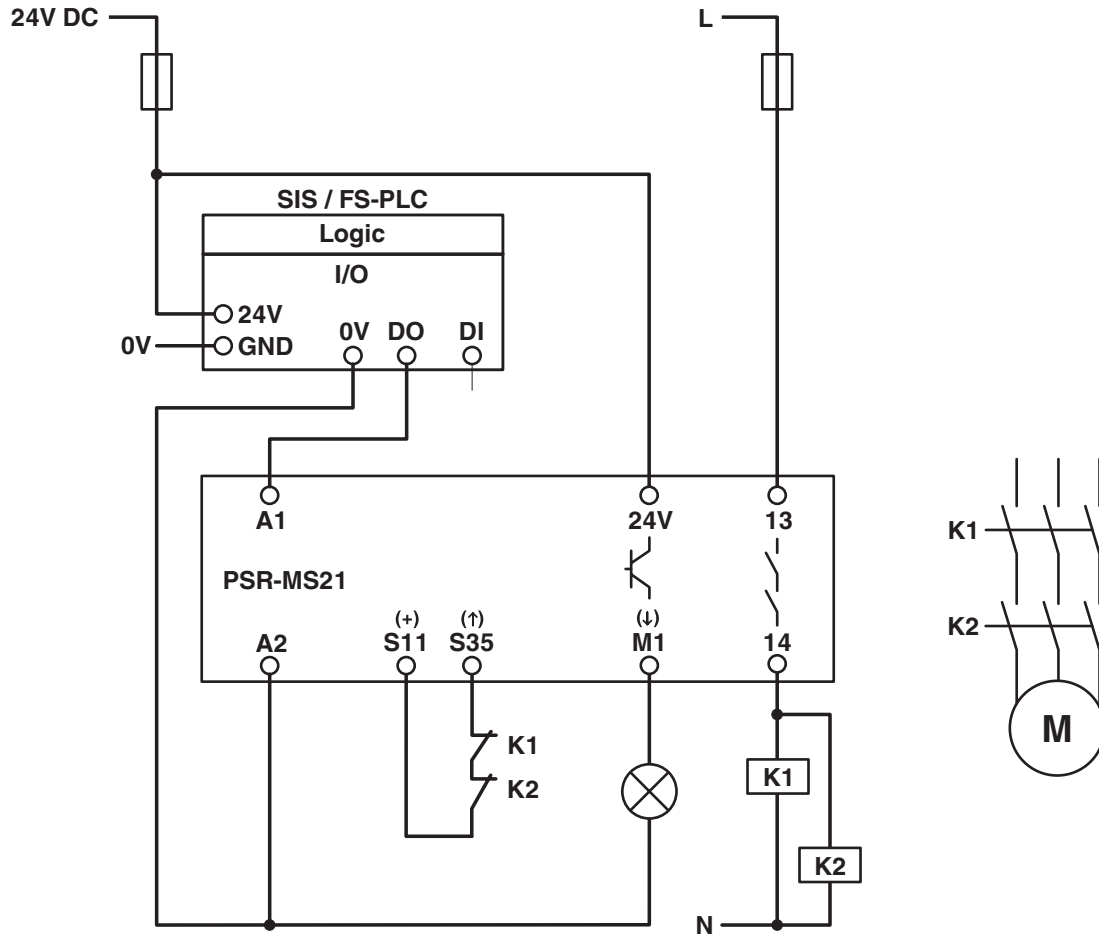
PSR-MS21-1NO-1DO-24DC-SC - Safety relays

2702192

<https://www.phoenixcontact.com/in/products/2702192>

Drawings

Circuit diagram

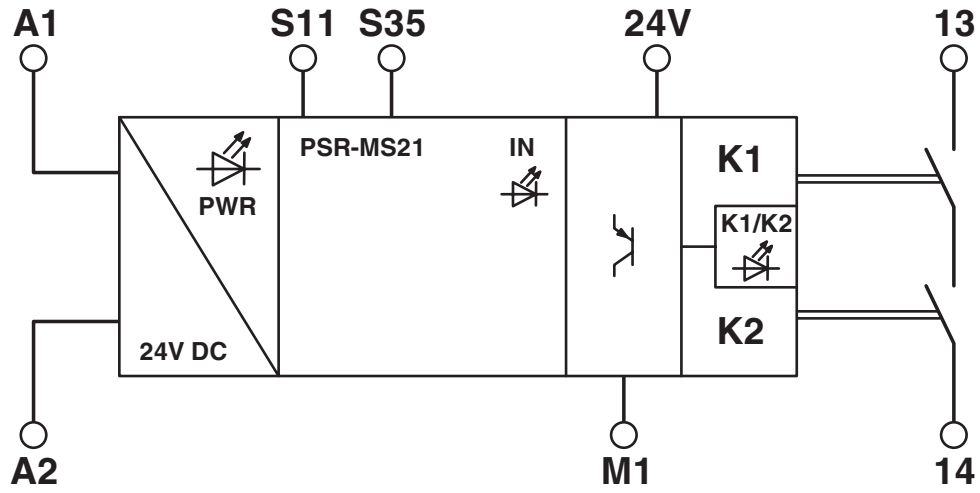


PSR-MS21-1NO-1DO-24DC-SC - Safety relays

2702192

<https://www.phoenixcontact.com/in/products/2702192>


Block diagram



2702192

<https://www.phoenixcontact.com/in/products/2702192>

Approvals

 To download certificates, visit the product detail page: <https://www.phoenixcontact.com/in/products/2702192>



Functional Safety

Approval ID: 44-205-15124301



Functional Safety

Approval ID: 44-780-15124301



cULus Listed

Approval ID: E140324

PSR-MS21-1NO-1DO-24DC-SC - Safety relays



2702192

<https://www.phoenixcontact.com/in/products/2702192>

Classifications

ECLASS

ECLASS-11.0	27371819
ECLASS-13.0	27371819
ECLASS-12.0	27371819

ETIM

ETIM 9.0	EC001449
----------	----------

UNSPSC

UNSPSC 21.0	39122200
-------------	----------

2702192

<https://www.phoenixcontact.com/in/products/2702192>

Environmental product compliance

EU RoHS

Fulfills EU RoHS substance requirements	Yes
Exemption	7(a), 7(c)-I

China RoHS

Environment friendly use period (EFUP)	EFUP-50
	An article-related China RoHS declaration table can be found in the download area for the respective article under "Manufacturer declaration". For all articles with EFUP-E, no China RoHS declaration table issued and required.

EU REACH SVHC

REACH candidate substance (CAS No.)	Lead(CAS: 7439-92-1)
SCIP	d482e8c4-47b3-4f50-a5f5-17993ad7e57b

Phoenix Contact 2024 © - all rights reserved

<https://www.phoenixcontact.com>

PHOENIX CONTACT (I) Pvt. Ltd.

A-58/2, Okhla Industrial Area, Phase - II, New Delhi-110 020

+91.1275.71420

info@phoenixcontact.co.in