

MACX MCR-UI-UI-SP-NC - Signal conditioner



2811556

<https://www.phoenixcontact.com/in/products/2811556>

Please be informed that the data shown in this PDF document is generated from our online catalog. Please find the complete data in the user documentation. Our general terms of use for downloads are valid.



Configurable 3-way isolating amplifier with safe electrical isolation, 24 V, power bridging. DIP switches on the front, over 1600 signal conversions can be set. Standard configuration (IN 0 ... 10 V/OUT 0 ... 20 mA), spring-cage connection, SIL.

Your advantages

- Power supply possible via DIN rail connector
- Over 1600 signal conversions can be set via DIP switches on the front
- Installation in zone 2 permitted
- Up to SIL 2 in accordance with EN 61508
- Active or passive output
- Status indicator for supply voltage
- Plug-in screw or spring-cage connection technology (Push-in technology)
- Analog signal conditioner for isolating, filtering, amplifying, and converting standard analog signals
- Configurable input and output signals, including bipolar current and voltage signals
- 3-way electrical isolation
- 10 kHz limit frequency for time-critical applications

Commercial data

Item number	2811556
Packing unit	1 pc
Minimum order quantity	1 pc
Sales key	CK1
Product key	CK1111
Catalog page	Page 116 (C-5-2019)
GTIN	4046356467001
Weight per piece (including packing)	174.5 g
Weight per piece (excluding packing)	96 g
Customs tariff number	85437090
Country of origin	DE

2811556

<https://www.phoenixcontact.com/in/products/2811556>

Technical data

Product properties

Product type	Signal conditioner
Product family	MACX Analog
No. of channels	1
Type	Signal conditioners with SIL functional safety
Configuration	DIP switches

Data management status

Article revision	12
------------------	----

Electrical properties

Alignment span	± 4 %
Alignment zero	± 4 %
Electrical isolation between input and output	yes
Limit frequency (3 dB)	10 kHz (Can be switched to 30 Hz)
Protective circuit	Transient protection
Step response (10-90%)	35 µs (10 kHz)
	11 ms (30 Hz)
Maximum temperature coefficient	0.0075 %/K
Maximum transmission error	≤ 0.1 % (Compared to the final value)

Electrical isolation

Test voltage	2.5 kV AC (50 Hz, 60 s)
Overvoltage category	II
Pollution degree	2

Electrical isolation Input/output/power supply IEC/EN 61010-1

Standards/regulations	IEC/EN 61010-1
Rated insulation voltage	300 V _{rms}
Insulation	Safe isolation

Electrical isolation Input/output/power supply IEC/EN 60079-7

Standards/regulations	IEC/EN 60079-7
Rated insulation voltage	250 V AC/DC

Supply

Nominal supply voltage range	12 V DC ... 24 V DC -20 % ... +25 %
Supply voltage range	9.6 V DC ... 30 V DC
Power dissipation	500 mW (at 24 V DC / 20 mA)
Power consumption	≤ 700 mW

Input data

Signal: Voltage/current

MACX MCR-UI-UI-SP-NC - Signal conditioner



2811556

<https://www.phoenixcontact.com/in/products/2811556>

Number of inputs	1
Voltage input signal	0 mV ... 50 mV
	0 mV ... 60 mV
	0 mV ... 75 mV
	0 mV ... 100 mV
	0 mV ... 120 mV
	0 mV ... 150 mV
	0 mV ... 200 mV
	0 mV ... 300 mV
	0 mV ... 500 mV
	0 V ... 1 V
	0 V ... 1.5 V
	0 V ... 2 V
	0 V ... 3 V
	0 V ... 5 V
	0 V ... 10 V (Configurable via DIP switches)
	0 V ... 15 V
	0 V ... 20 V
	0 V ... 30 V
	0 V ... 50 V
	0 V ... 100 V
	-50 mV ... 50 mV
	-60 mV ... 60 mV
	-75 mV ... 75 mV
	-100 mV ... 100 mV
	-120 mV ... 120 mV
	-150 mV ... 150 mV
	-200 mV ... 200 mV
	-300 mV ... 300 mV
	-500 mV ... 500 mV
	-1 V ... 1 V
	-1.5 V ... 1.5 V
	-2 V ... 2 V
	-3 V ... 3 V
	-5 V ... 5 V
-10 V ... 10 V	
-15 V ... 15 V	
-20 V ... 20 V	
-30 V ... 30 V	
-50 V ... 50 V	
-100 V ... 100 V	
1 V ... 5 V	
2 V ... 10 V	
Min. voltage input signal	± 50 mV

MACX MCR-UI-UI-SP-NC - Signal conditioner



2811556

<https://www.phoenixcontact.com/in/products/2811556>

Max. voltage input signal	± 100 V
Current input signal	0 mA ... 1 mA (Configurable via DIP switches)
	0 mA ... 1.5 mA
	0 mA ... 2 mA
	0 mA ... 3 mA
	0 mA ... 5 mA
	0 mA ... 10 mA
	0 mA ... 15 mA
	0 mA ... 20 mA
	0 mA ... 30 mA
	0 mA ... 50 mA
	0 mA ... 100 mA
	-1 mA ... 1 mA
	-1.5 mA ... 1.5 mA
	-2 mA ... 2 mA
	-3 mA ... 3 mA
	-5 mA ... 5 mA
	-10 mA ... 10 mA
	-15 mA ... 15 mA
	-20 mA ... 20 mA
	-30 mA ... 30 mA
-50 mA ... 50 mA	
-100 mA ... 100 mA	
1 mA ... 5 mA	
2 mA ... 10 mA	
4 mA ... 20 mA	
Minimum current input signal	± 1 mA
Max. current input signal	± 100 mA
Input resistance of voltage input	approx. $1\text{ M}\Omega$ (± 1 V DC ... ± 100 V DC)
Input resistance current input	approx. $10\ \Omega$ (± 10 mA DC ... ± 100 mA DC)

Output data

Signal: Voltage/current

Number of outputs	1
Configurable/programmable	Yes, can be switched
Voltage output signal	0 V ... 10 V (Configurable via DIP switches)
	0 V ... 5 V
	2 V ... 10 V
	1 V ... 5 V
	-10 V ... 10 V
	-5 V ... 5 V
	0 V ... 2.5 V
	0.5 V ... 2.5 V

MACX MCR-UI-UI-SP-NC - Signal conditioner



2811556

<https://www.phoenixcontact.com/in/products/2811556>

	-2.5 V ... 2.5 V
Output signal voltage inverse	0 V ... 2.5 V
	0 V ... 5 V
	0 V ... 10 V
Current output signal	0 mA ... 5 mA
	0 mA ... 10 mA
	0 mA ... 20 mA (Configurable via DIP switches)
	1 mA ... 5 mA
	2 mA ... 10 mA
	4 mA ... 20 mA
	-5 mA ... 5 mA
	-10 mA ... 10 mA
	-20 mA ... 20 mA
Output signal current inverse	0 mA ... 5 mA
	0 mA ... 10 mA
	0 mA ... 20 mA
Load/output load voltage output	$\geq 1 \text{ k}\Omega$ (10 V)
Load/output load current output	$\leq 600 \Omega$ (20 mA; active)
	passive: $\leq (U_B - 2 \text{ V}) / I_{\text{outmax}}$
Ripple	$< 10 \text{ mV}_{\text{rms}}$

Connection data

Connection method	Push-in connection
Stripping length	10 mm
Conductor cross section rigid	0.2 mm ² ... 2.5 mm ²
Conductor cross section flexible	0.2 mm ² ... 2.5 mm ²
Conductor cross section flexible (2 conductors with same cross section)	0.25 mm ² ... 0.34 mm ² (TWIN ferrule without plastic sleeve)
	0.5 mm ² ... 1.5 mm ² (TWIN ferrule with plastic sleeve)
Conductor cross section AWG	24 ... 14
	24 ... 22 (TWIN ferrule without plastic sleeve)
	20 ... 16 (TWIN ferrule with plastic sleeve)

Ex data

Ex installation (EPL)	Gc
	Div. 2

Dimensions

Dimensional drawing	
---------------------	--

MACX MCR-UI-UI-SP-NC - Signal conditioner



2811556

<https://www.phoenixcontact.com/in/products/2811556>

Width	12.5 mm
Height	107.9 mm
Depth	113.7 mm
Depth NS 35/7,5	114.5 mm (Snapped onto DIN rail NS 35/7,5 in accordance with EN 60715)

Material specifications

Color	gray (RAL 7042)
Housing material	PA 6.6-FR

Environmental and real-life conditions

Ambient conditions

Degree of protection	IP20 (not assessed by UL)
Ambient temperature (operation)	-20 °C ... 70 °C
Ambient temperature (storage/transport)	-40 °C ... 85 °C

Altitude range (≤ 2000 m)

Altitude	≤ 2000 m (The technical data refers to altitudes ≤2000 m above mean sea level. For altitudes >2000 m above mean sea level, refer to the data sheet.)
Ambient temperature (operation)	-20 °C ... 70 °C

Altitude range (≤ 3000 m)

Height range	> 2000 m ... 3000 m
Ambient temperature (operation)	-20 °C ... 60 °C
Rated insulation voltage	190 V

Altitude range (≤ 4000 m)

Height range	> 3000 m ... 4000 m
Ambient temperature (operation)	-20 °C ... 55 °C
Rated insulation voltage	63 V

Altitude range (≤ 5000 m)

Height range	> 4000 m ... 5000 m
Ambient temperature (operation)	-20 °C ... 45 °C
Rated insulation voltage	63 V

Approvals

CE

Certificate	CE-compliant
-------------	--------------

ATEX

Identification	Ⓜ II 3 G Ex ec IIC T4 Gc
Certificate	BVS 10 ATEX E 059 X

UKCA Ex (UKEX)

Identification	Ⓜ II 3 G Ex nA IIC T4 Gc
----------------	--------------------------

MACX MCR-UI-UI-SP-NC - Signal conditioner



2811556

<https://www.phoenixcontact.com/in/products/2811556>

Certificate	PxCIF21UKEX2811284X
-------------	---------------------

IECEX

Identification	Ex ec IIC T4 Gc
Certificate	IECEX BVS 10.0044X

CCC / China-Ex

Identification	Ex ec IIC T4 Gc
Certificate	2021122304114077

UL, USA/Canada

Identification	UL 61010 Listed
	Class I, Div. 2, Groups A, B, C, D T6
	Class I, Zone 2, Group IIC

Shipbuilding approval

Certificate	DNV GL TAA000020C
-------------	-------------------

Safety Integrity Level (SIL, IEC 61508)

Identification	2
----------------	---

INMETRO

Identification	Ex ec IIC T4 Gc
Certificate	DNV 21.0063 X

DNV GL data

Temperature	B
Humidity	B
Vibration	A
EMC	A
Enclosure	Required protection according to the Rules shall be provided upon installation on board

EMC data

Electromagnetic compatibility	Conformance with EMC directive
Noise immunity	EN 61000-6-2
Note	When being exposed to interference, there may be minimal deviations.
Noise emission	EN 61000-6-4

Electromagnetic HF field

Designation	Electromagnetic RF field
Standards/regulations	EN 61000-4-3
Typical deviation from the measuring range final value	1 %

Fast transients (burst)

Designation	Fast transients (burst)
Standards/regulations	EN 61000-4-4
Typical deviation from the measuring range final value	1 %

MACX MCR-UI-UI-SP-NC - Signal conditioner



2811556

<https://www.phoenixcontact.com/in/products/2811556>

Conducted interference

Designation	Conducted interferences
Standards/regulations	EN 61000-4-6
Typical deviation from the measuring range final value	1 %

Standards and regulations

GB Standard

Standards/regulations	GB/T 3836.1
	GB/T 3836.3

Mounting

Mounting type	DIN rail mounting
Mounting position	any

MACX MCR-UI-UI-SP-NC - Signal conditioner

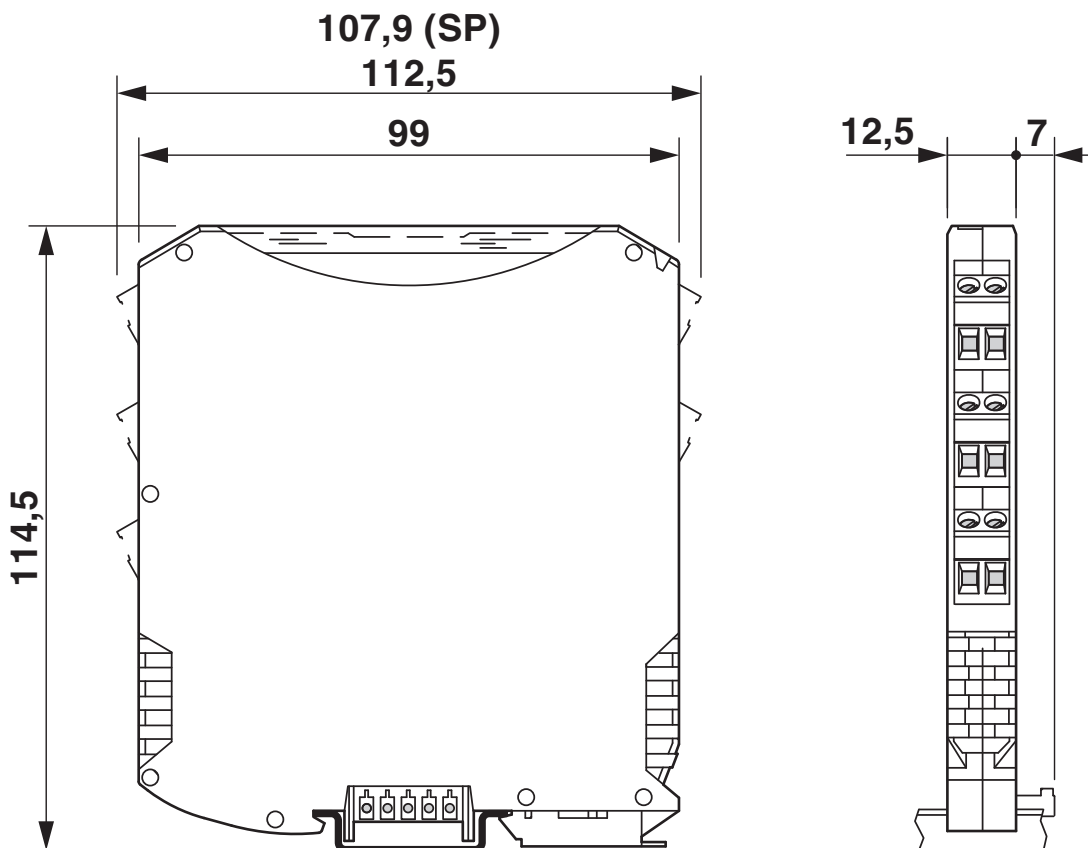


2811556

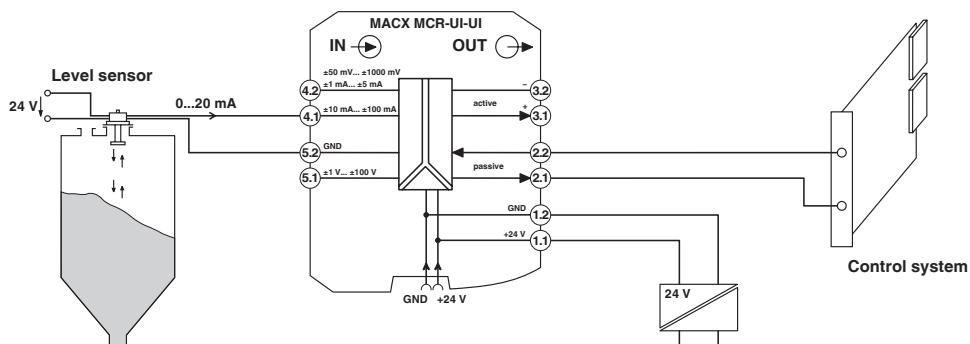
<https://www.phoenixcontact.com/in/products/2811556>

Drawings

Dimensional drawing



Application drawing



Level measurement with analog input terminals (active input card)

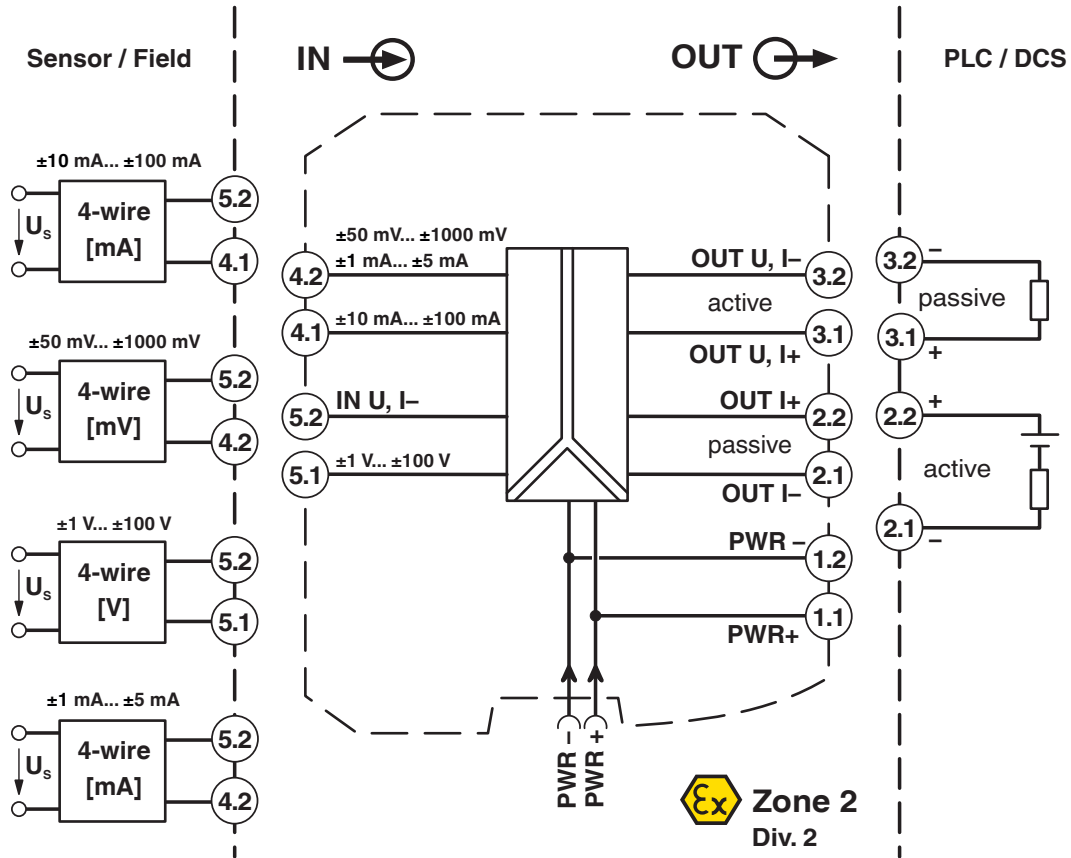
MACX MCR-UI-UI-SP-NC - Signal conditioner



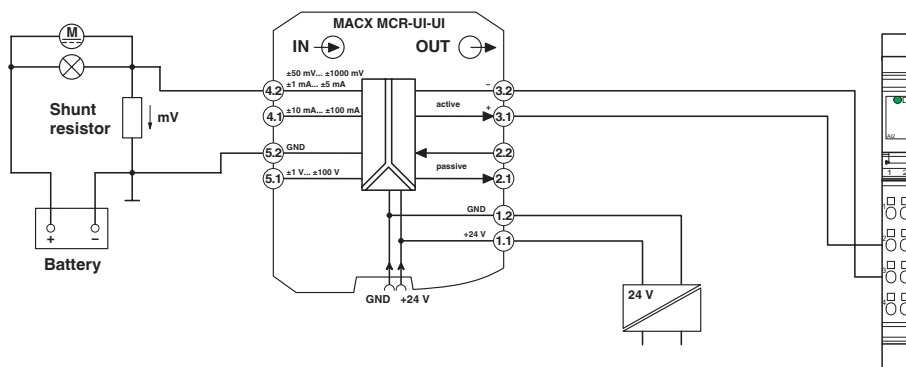
2811556

<https://www.phoenixcontact.com/in/products/2811556>

Block diagram



Application drawing



Shunt measurement and Inline terminal with analog input channels within an Inline station (passive input card)

2811556

<https://www.phoenixcontact.com/in/products/2811556>

Approvals

To download certificates, visit the product detail page: <https://www.phoenixcontact.com/in/products/2811556>



DNV GL

Approval ID: TAA000020C



UL Listed

Approval ID: E330267



cUL Listed

Approval ID: E330267

Functional Safety

Approval ID: BVS Pb 01/10



IECEx

Approval ID: IECEx BVS 10.0044X



cUL Listed

Approval ID: E199827



UL Listed

Approval ID: FILE E 199827



ATEX

Approval ID: BVS 10 ATEX E059 X

INMETRO

Approval ID: DNV 21.0063 X



EAC Ex

Approval ID: TP012 103.01 00078



CCC

Approval ID: 2021122304114077

MACX MCR-UI-UI-SP-NC - Signal conditioner



2811556

<https://www.phoenixcontact.com/in/products/2811556>

cULus Listed

cULus Listed

MACX MCR-UI-UI-SP-NC - Signal conditioner



2811556

<https://www.phoenixcontact.com/in/products/2811556>

Classifications

ECLASS

ECLASS-11.0	27210120
ECLASS-12.0	27210120
ECLASS-13.0	27210120

ETIM

ETIM 9.0	EC002653
----------	----------

UNSPSC

UNSPSC 21.0	39121000
-------------	----------

2811556

<https://www.phoenixcontact.com/in/products/2811556>

Environmental product compliance

EU RoHS

Fulfills EU RoHS substance requirements	Yes
Exemption	6(c), 7(a), 7(c)-I

China RoHS

Environment friendly use period (EFUP)	EFUP-50
	An article-related China RoHS declaration table can be found in the download area for the respective article under "Manufacturer declaration". For all articles with EFUP-E, no China RoHS declaration table issued and required.

EU REACH SVHC

REACH candidate substance (CAS No.)	Lead(CAS: 7439-92-1)
SCIP	f1e356a7-b545-4fc6-86cd-e1493676de02

Phoenix Contact 2024 © - all rights reserved

<https://www.phoenixcontact.com>

PHOENIX CONTACT (I) Pvt. Ltd.

A-58/2, Okhla Industrial Area, Phase - II, New Delhi-110 020

+91.1275.71420

info@phoenixcontact.co.in