

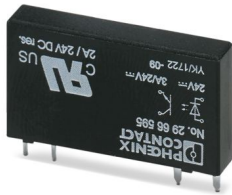
# OPT-24DC/ 24DC/ 2 - Miniature solid-state relay



2966595

<https://www.phoenixcontact.com/gb/products/2966595>

Please be informed that the data shown in this PDF document is generated from our online catalog. Please find the complete data in the user documentation. Our general terms of use for downloads are valid.



Plug-in miniature solid-state relay, power solid-state relay, 1 N/O contact, input: 24 V DC, output: 3 ... 33 V DC/3 A

## Your advantages

- Vibration and shock resistant
- RT III-proof (wash-proof)
- Wear-free and durable
- Can be soldered on PCB
- Switching capacity of up to 24 V DC/3 A

## Commercial data

Item number	2966595
Packing unit	10 pc
Minimum order quantity	10 pc
Sales key	CK69K1
Product key	CK69K1
Catalog page	Page 286 (C-5-2019)
GTIN	4017918130947
Weight per piece (including packing)	5.29 g
Weight per piece (excluding packing)	5.2 g
Customs tariff number	85364190
Country of origin	HU

# OPT-24DC/ 24DC/ 2 - Miniature solid-state relay



2966595

<https://www.phoenixcontact.com/gb/products/2966595>

## Technical data

### Product properties

Product type	Single solid-state relay
Operating mode	100% operating factor

### Data management status

Date of last data management	11.07.2024
Article revision	03

### Insulation characteristics: Standards/regulations

Insulation	Basic insulation
Overvoltage category	III
Pollution degree	2

### Electrical properties

Maximum power dissipation for nominal condition	0.17 W
Test voltage (Input/output)	2.5 kV (50 Hz, 1 min., input/output)

### Input data

Nominal input voltage $U_N$	24 V DC
Input voltage range in reference to $U_N$	0.8 ... 1.2
Input voltage range	19.2 V DC ... 28.8 V DC
Switching threshold "0" signal in reference to $U_N$	0.4
Switching threshold "1" signal in reference to $U_N$	0.7
Typical input current at $U_N$	7 mA
Typical response time	20 $\mu$ s (at $U_N$ )
Typical turn-off time	300 $\mu$ s (at $U_N$ )
Transmission frequency	300 Hz

### Output data

Contact switching type	1 N/O contact
Design of digital output	electronic
Output voltage range	3 V DC ... 33 V DC
Limiting continuous current	3 A (see derating curve)
Maximum inrush current	15 A (10 ms)
Voltage drop at max. limiting continuous current	$\leq$ 150 mV
Output circuit	2-conductor, floating
Protective circuit	Reverse polarity protection Surge protection

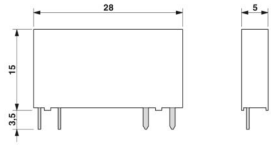
### Dimensions

# OPT-24DC/ 24DC/ 2 - Miniature solid-state relay



2966595

<https://www.phoenixcontact.com/gb/products/2966595>

Dimensional drawing	
Width	5 mm
Height	28 mm
Depth	15 mm

## Material specifications

Color	black (RAL 9005)
-------	------------------

## Environmental and real-life conditions

### Ambient conditions

Degree of protection	RT III
Ambient temperature (operation)	-25 °C ... 60 °C
Ambient temperature (storage/transport)	-25 °C ... 70 °C

## Approvals

### Corrosive gas test

Identification	ISA-S71.04. G3 Harsh Group
	EN 60068-2-60

## Standards and regulations

### Standards/regulations

Standards/regulations	IEC 60664
	EN 50178

## Mounting

Assembly note	in rows with zero spacing
Mounting position	any

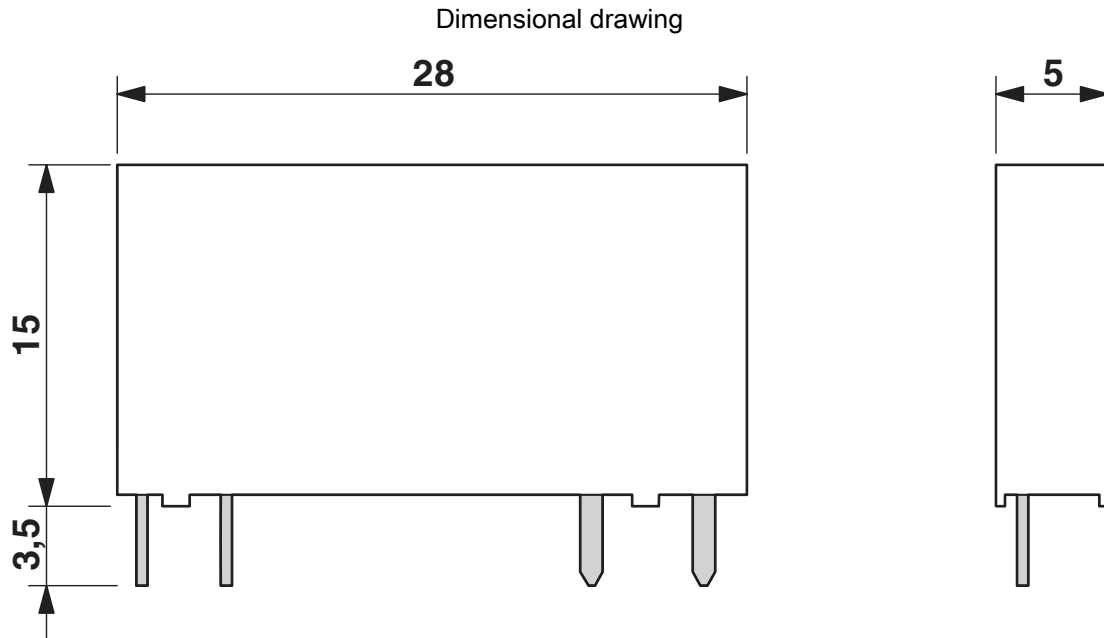
# OPT-24DC/ 24DC/ 2 - Miniature solid-state relay



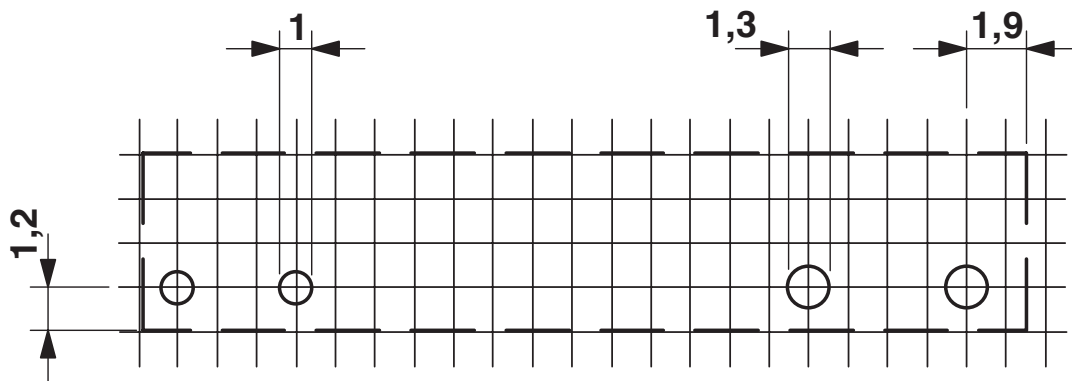
2966595

<https://www.phoenixcontact.com/gb/products/2966595>

## Drawings



Drilling plan/solder pad geometry



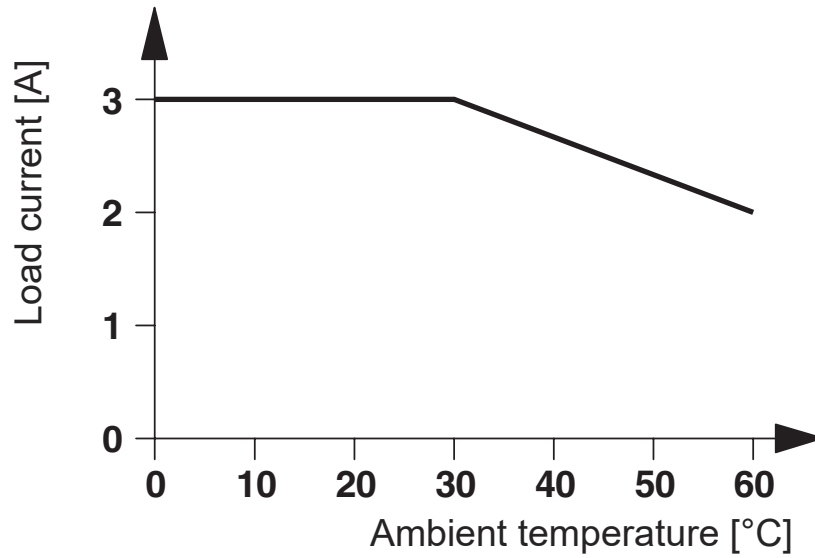
a = pitch division 1.25 mm and 1.27 mm

# OPT-24DC/ 24DC/ 2 - Miniature solid-state relay

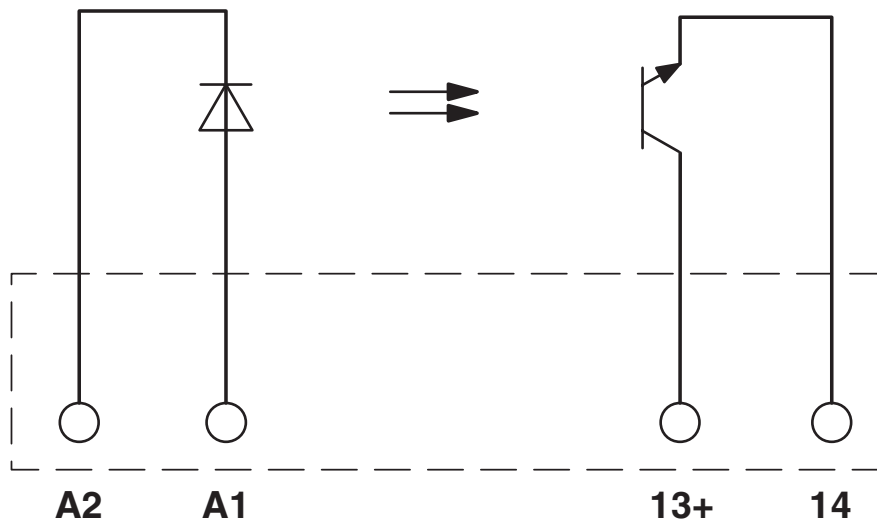
2966595

<https://www.phoenixcontact.com/gb/products/2966595>

Diagram



Circuit diagram



# OPT-24DC/ 24DC/ 2 - Miniature solid-state relay



2966595

<https://www.phoenixcontact.com/gb/products/2966595>

## Approvals

To download certificates, visit the product detail page: <https://www.phoenixcontact.com/gb/products/2966595>



**cUL Recognized**  
Approval ID: FILE E 195083



**UL Recognized**  
Approval ID: FILE E 195083



**UL Recognized**  
Approval ID: FILE E 195083



**cUL Recognized**  
Approval ID: FILE E 195083



**GL**  
Approval ID: 46016-03 HH

# OPT-24DC/ 24DC/ 2 - Miniature solid-state relay



2966595

<https://www.phoenixcontact.com/gb/products/2966595>

## Classifications

### ECLASS

ECLASS-11.0	27371604
ECLASS-12.0	27371604
ECLASS-13.0	27371604

### ETIM

ETIM 9.0	EC001504
----------	----------

### UNSPSC

UNSPSC 21.0	39122300
-------------	----------

# OPT-24DC/ 24DC/ 2 - Miniature solid-state relay



2966595

<https://www.phoenixcontact.com/gb/products/2966595>

## Environmental product compliance

### EU RoHS

Fulfills EU RoHS substance requirements	Yes
Exemption	7(c)-I

### China RoHS

Environment friendly use period (EFUP)	EFUP-E
	No hazardous substances above the limits

### EU REACH SVHC

REACH candidate substance (CAS No.)	No substance above 0.1 wt%
-------------------------------------	----------------------------

Phoenix Contact 2024 © - all rights reserved

<https://www.phoenixcontact.com>

PHOENIX CONTACT Ltd

Halesfield 13, Telford

Shropshire, TF7 4PG

01952 681700

[info@phoenixcontact.co.uk](mailto:info@phoenixcontact.co.uk)