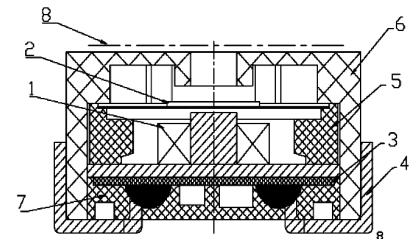
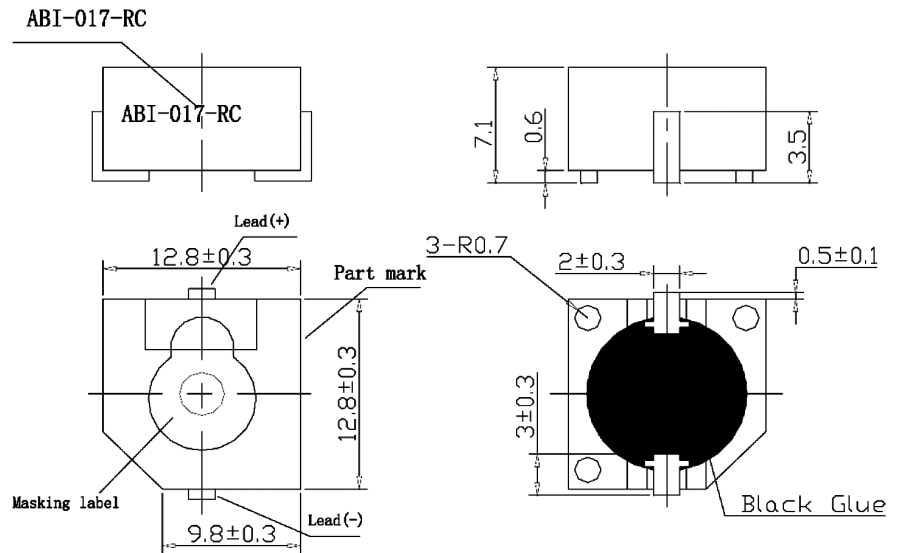


DC Devices (with internal drive circuits)

Surface Mount Type



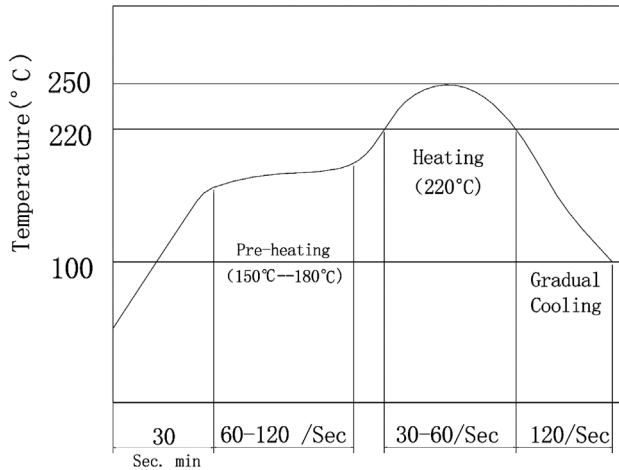
1. Coil part Copper & Iron.
2. Diaphragme Iron.
3. PCB Epoxy
4. Pin Brass
5. Magnetism High temp plastic magnetism
6. Housing PPS
7. Potting Black glue
8. Masking label Paper

Specifications

Part Number	ABI-017-RC	ABI-017-RC-T&R	ABI-018-RC
Rated Voltage	5V DC		12V DC
Operating Voltage	4 ~ 7V DC		8 ~ 15V DC
Rated Current	≤30mA		≤30mA
Sound Output level @ 20cm	≥88dB		≥85dB
Resonant Frequency	2400Hz ±400Hz		
Tone	Continuous		
Housing Material	PPS		
Operating Temperature	-20°C to +70°C		
Storage Temperature	-30°C to +80°C		
Weight	2g		

Dimensions : Millimetres
Tolerance: ±0.5mm

Surface Mount Indicator - Reflow Solder Curve

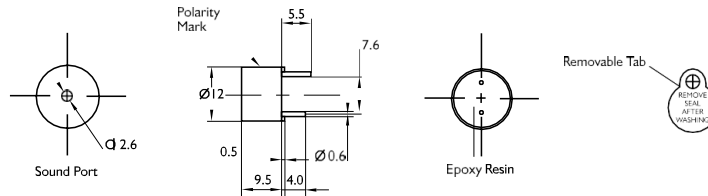


Environmental Test

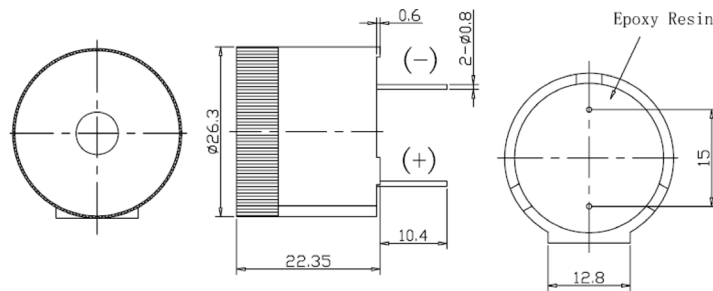
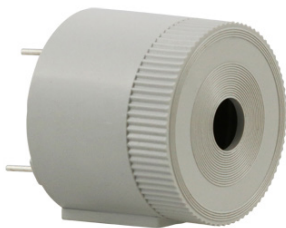
Item	Specifications
Storage in High Temperature	Storage in +85°C ±2°C test box for 96 hours, then expose to the room temperature for 2 hours without applying power.
Storage in Low Temperature	Storage in -40°C ±2°C test box for 96 hours, then expose to the room temperature for 2 hours without applying power.
Storage in Humidity	Storage in +40°C ±2°C 90-95%RH test box for 96 hours, then expose to the room temperature for 2 hours without applying power.
Thermal cycle test.	<p>Make this test for 5 cycles without applying power, then expose to the room temperature for 2 hours.</p>
Vibration test	<p>Amplitude: 1.5mm Time : 1min/axis</p> <p>Make this test for the directions of X, Y, Z for 2 hours each (total 6 hours).</p>
Drop test	Free drop a unit from the height 100cm to the surface of 10mm thick board, three directions(X,Y,Z).
Solderability test	Soldering temperature: 260 ±5°C Heat applying time: 3 ±0.5sec.
Pass Criterion: After these tests , the change of S.P.L shall be within ±5dB.	

Through Hole Type

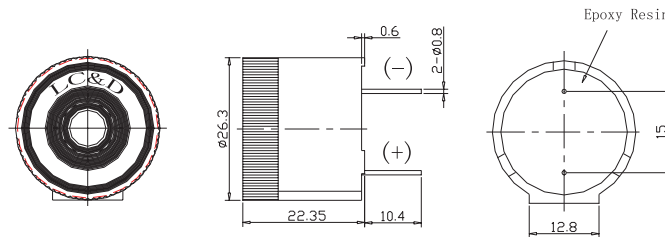
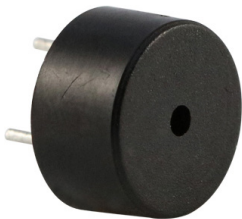
ABI-009-RC & ABI-010-RC



ABI-052-RC



ABI-057-RC

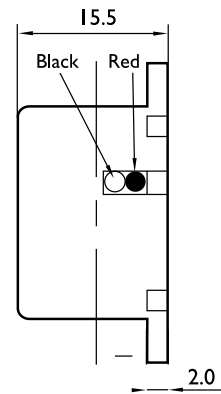
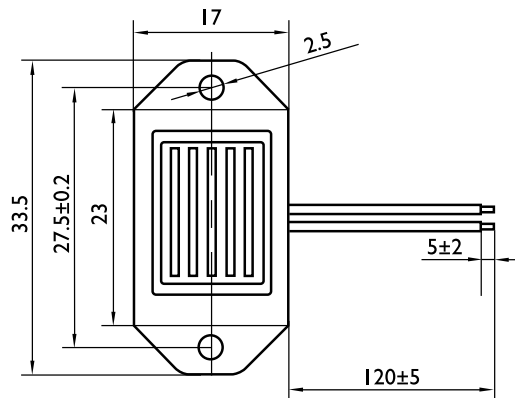


Dimensions : Millimetres
Tolerance: ± 0.5 mm

Specifications

Part Number	ABI-009-RC	ABI-010-RC	ABI-052-RC	ABI-057-RC
Rated Voltage	6V DC	12V DC	12V DC	5V DC
Operating Voltage	4 ~ 8V DC	8 ~ 16V DC	5 ~ 18V DC	3 ~ 7V DC
Rated Current	≤ 30 mA	≤ 30 mA	≤ 50 mA	≤ 25 mA
Sound Output level @ 10cm	≥ 85 dB		98/9V DC / 100/12V DC	≥ 80 dB
Resonant Frequency	2300Hz ± 300 Hz		2800Hz ± 500 Hz	2730Hz ± 300 Hz
Tone	Continuous		Single	Continuous
Housing Material	Black Noryl		Grey Noryl	Black PBT
Operating Temperature	-25°C to +80°C	-20°C to +70°C	-30°C to +70°C	-20°C to +80°C
Storage Temperature	-30°C to +85°C	-30°C to +80°C	-40°C to +85°C	-30°C to +85°C
Pin Pitch	7.6mm	7.6mm	15mm	5mm
Weight	2g	2g	12g	1g

Flange Mount - Wire Lead Type



Dimensions : Millimetres
Tolerance: ±0.5mm

Part Number	ABI-041-RC	ABI-028-12-RC
Rated Voltage	6V DC	12V DC
Operating Voltage	4 ~ 8VDC	9 ~ 15VDC
Rated Current	≤ 25mA	
Sound Output level @20cm	≥ 75dB	
Resonant Frequency	400Hz ±100Hz	
Tone	Continuous	
Housing Material	Black ABS	
Operating Temperature	-10°C to +60°C	
Storage Temperature	-30°C to +70°C	
Lead Wire	UL1095 AWG26	
Lead Length	120mm	
Weight	10g	

Important Notice : This data sheet and its contents (the "Information") belong to the members of the AVNET group of companies (the "Group") or are licensed to it. No licence is granted for the use of it other than for information purposes in connection with the products to which it relates. No licence of any intellectual property rights is granted. The Information is subject to change without notice and replaces all data sheets previously supplied. The Information supplied is believed to be accurate but the Group assumes no responsibility for its accuracy or completeness, any error in or omission from it or for any use made of it. Users of this data sheet should check for themselves the Information and the suitability of the products for their purpose and not make any assumptions based on information included or omitted. Liability for loss or damage resulting from any reliance on the Information or use of it (including liability resulting from negligence or where the Group was aware of the possibility of such loss or damage arising) is excluded. This will not operate to limit or restrict the Group's liability for death or personal injury resulting from its negligence. Multicomp Pro is the registered trademark of Premier Farnell Limited 2019.