

ALCOSWITCH SELECTOR SWITCH ISE, IKE SERIES AND CONTACT BLOCKS

INTRODUCTION

TE Connectivity (TE)'s ALCOSWITCH selector switch ISE, IKE series are versatile and durable control devices used in a wide array of electrical circuits and machinery. These switches allow users to manually select different operating modes or control outputs by rotating the switch to various positions. Available in multiple configurations, including maintained or momentary actions, selector switches offer a reliable method for controlling equipment, managing processes, and toggling between functions.



FEATURES

- Snap mounting for compact contact blocks
- Stackable design for contact block
- Screw mounting for panel
- Multiple configurations available
- 3 types of actuator head
- IP 65 rated



APPLICATIONS

- Industrial machinery and equipment
- Control panels and instrumentation
- Process automation systems
- Power generation and distribution
- Building management systems
- Marine and offshore equipment
- Automotive and transportation systems


APPROVALS

- RoHS directive 2002/95/E compliant
- REACH compliant and Pb free
- UL E303778



ALCOSWITCH SELECTOR SWITCH ISE, IKE SERIES

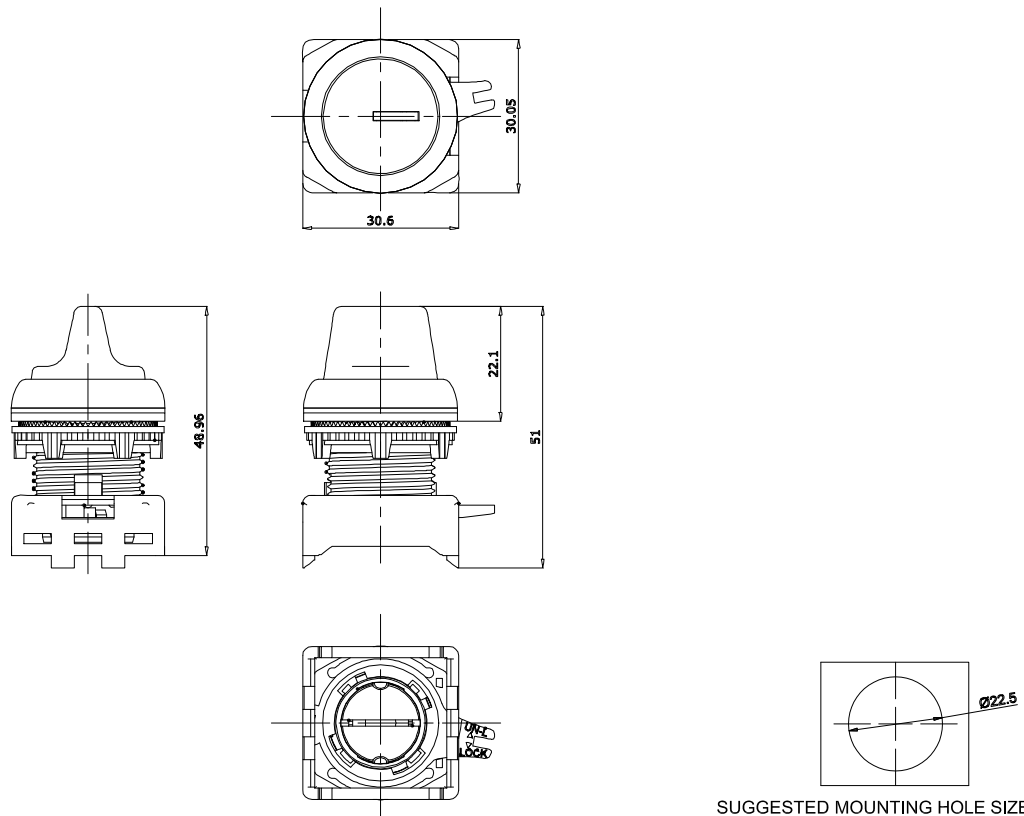
PERFORMANCE CHARACTERISTICS

	Selector Switch	Selector Switch - Lever	Key Selector Switch
			
Function type	Standard head rotary	Lever head rotary	Lock and key rotary
Type	Non-illuminated		
Degree of protection	IP65		
Mechanical cycles	Min. 100,000 Cycles		
Polymer details (base material only)	Housing - polyamide/nylon, Collar - ABS, Cap - PC (polycarbide)		

Compatible contact blocks	
Contact blocks/LED holders	Ref. Page 5-8

DIMENSIONS (Unit:mm)

Selector Switch

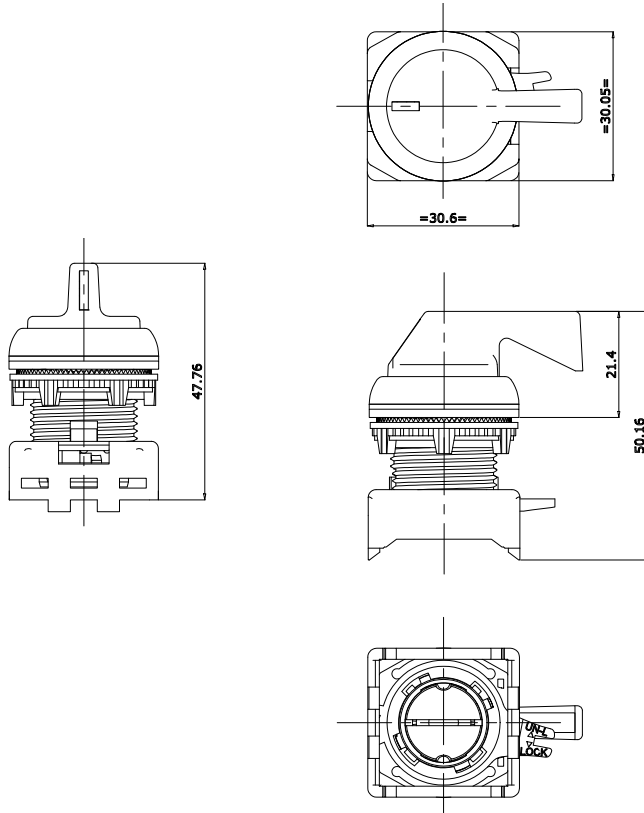


Tolerance: ± 0.5 mm

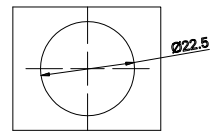
SUGGESTED MOUNTING HOLE SIZE FOR
PANEL THICKNESS 0.8 mm TO 6 mm

ALCOSWITCH SELECTOR SWITCH ISE, IKE SERIES

Selector Switch - Lever

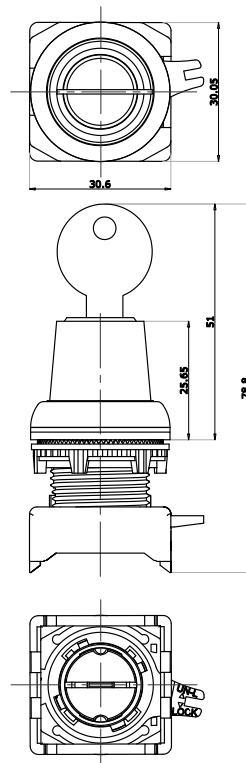


Tolerance: ± 0.5 mm

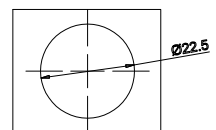


SUGGESTED MOUNTING HOLE SIZE FOR
PANEL THICKNESS 0.8 mm TO 6 mm

Key Selector Switch



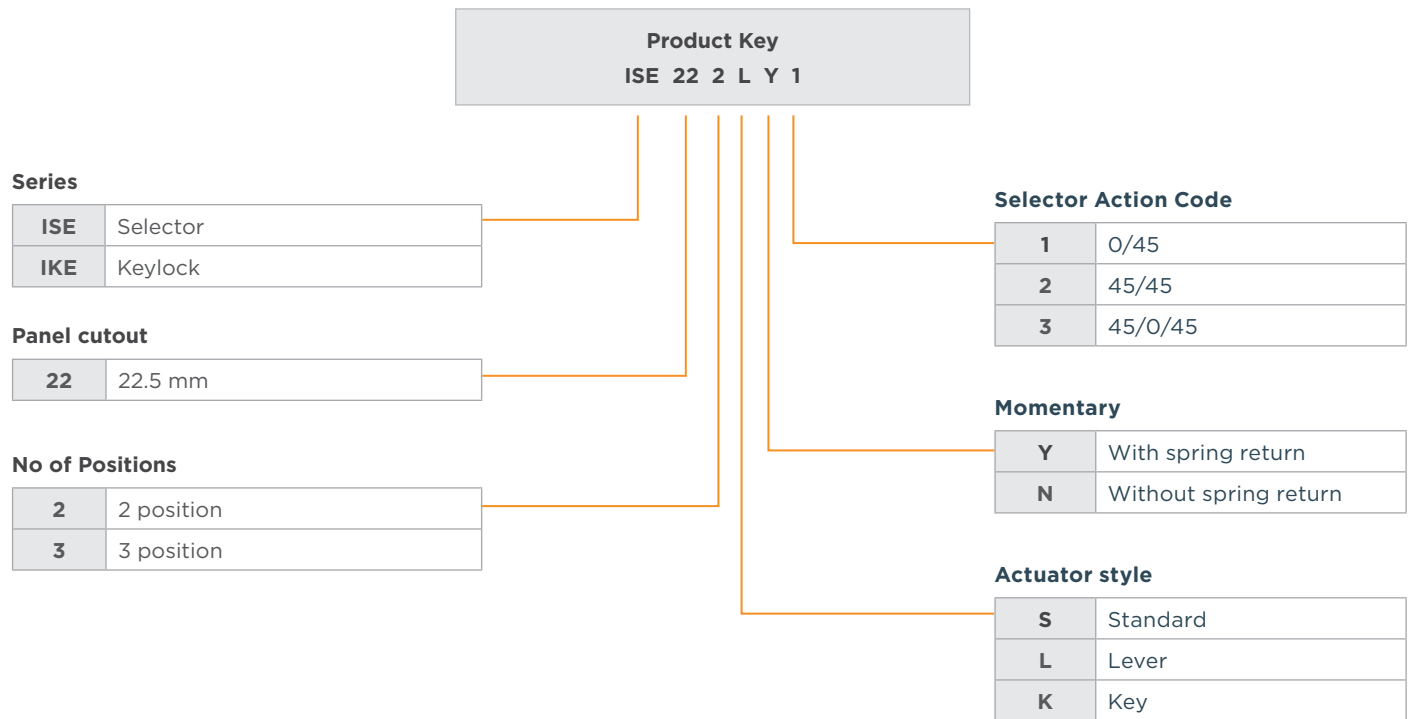
Tolerance: ± 0.5 mm



SUGGESTED MOUNTING HOLE SIZE FOR
PANEL THICKNESS 0.8 mm TO 6 mm

ALCOSWITCH SELECTOR SWITCH ISE, IKE SERIES

PRODUCT CODE STRUCTURE - SELECTOR SWITCH

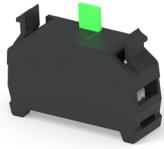
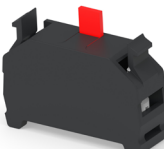


PRODUCT INFORMATION - SELECTOR SWITCH`

TE Smart Part Number	Description	LED Color	TE Part Number
ISE222SY1	Selector switch black (2 Pos) R	Black	2492708-1
ISE222SN2	Selector switch black (2 Pos)		2492708-2
ISE223SN3	Selector switch black (3 Pos)		2492708-3
ISE223SY3	Selector switch black (3 Pos) R		2492708-4
ISE222LY1	Selector switch black (2 Pos) R Lever		2492674-1
ISE222LN2	Selector switch black (2 Pos) Lever		2492674-2
ISE223LN3	Selector switch black (3 Pos) Lever		2492674-3
ISE223LY3	Selector switch black (3 Pos) R Lever		2492674-4
IKE222KY1	Key selector switch (2 Pos) R		2492709-1
IKE222KN1	Key selector switch (2 Pos) Rem. 0		2492709-2
IKE223KY3	Key selector switch (3 Pos) SR Rem. 0		2492709-3
IKE223KN3	Key selector switch (3 Pos) Rem. 0		2492709-4

ALCOSWITCH CONTACT BLOCKS

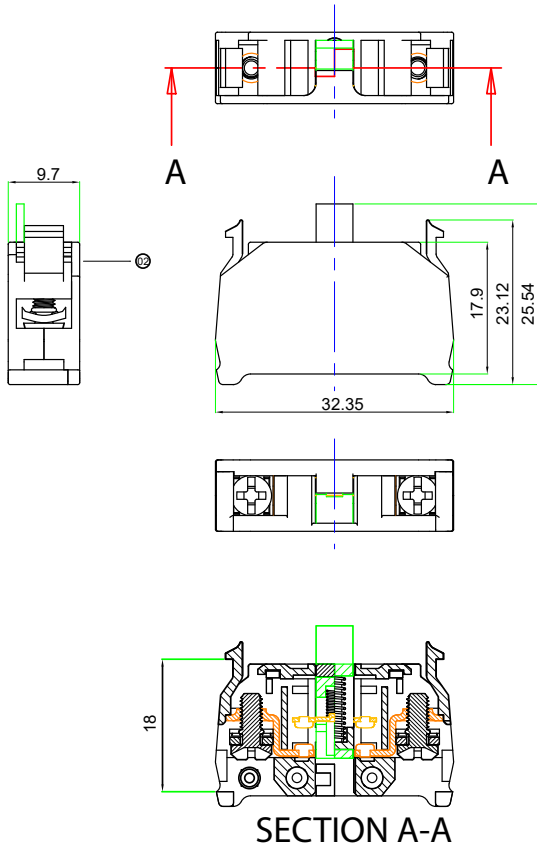
PERFORMANCE CHARACTERISTICS

		Contact Block- NO	Contact Block - NC
			
Rated voltage		230 V AC	
Rated current		AC15 - 6 A, AC12 - 10 A, (IEC60947-5-1)	
Rated insulation voltage		600 VAC	
Life cycle	Electrical	@ Rated current 10 A, 500,000 Operation	
	Mechanical	1,000,000 Operations	
Operating frequency		50 / 60 Hz	
Actuating force		350 gmf	
Operating temperature		-30 °C - 60 °C	
Storage temperature		-25 °C - 70 °C	
mV drop @ 16A		200 mV max. (Initial value)	
Insulation resistance		100 MΩ min. (@500 VDC)	
Recommended tightening torque		0.8 Nm	
Terminals		Suitable for flexible or solid conductors from 1x0.5 sq.mm - 2x1.5 sq.mm or 1x2.5 sq.mm	
HV Test for 60 sec.		1.5 KV (all terminals shorted together and body)	
Degree of protection		Terminals : IP20	
Polymer details (base material only)		Housing - polyamide /nylon Cover - polyamide /nylon Slide - polyamide	

ALCOSWITCH CONTACT BLOCKS

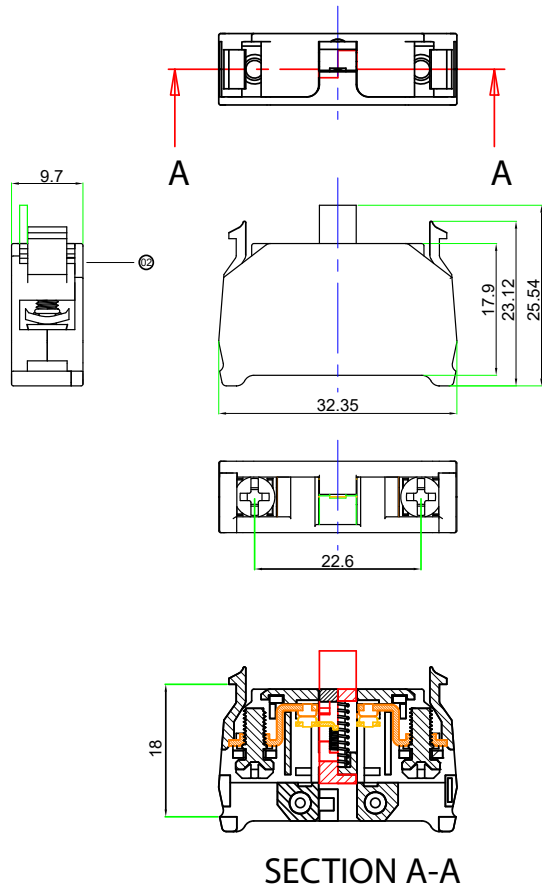
DIMENSIONS (Unit:mm)

Contact Block - NO



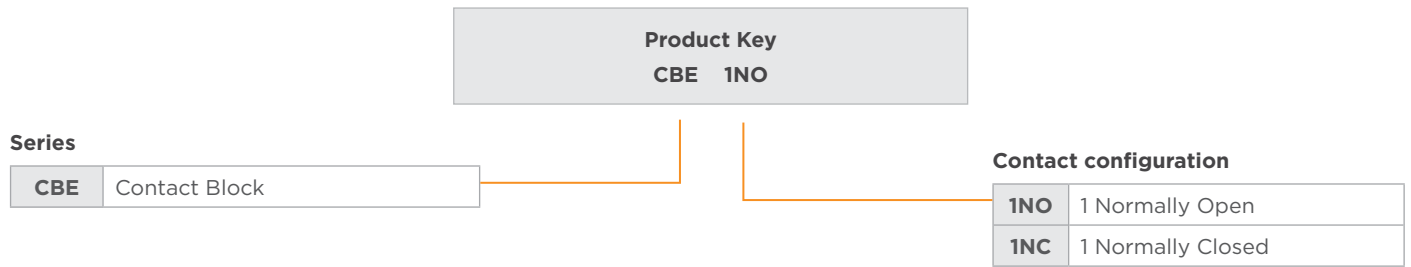
Tolerance: ± 0.5 mm

Contact Block - NC



Tolerance: ± 0.5 mm

PRODUCT CODE STRUCTURE - CONTACT BLOCK



PRODUCT INFORMATION - CONTACT BLOCK

TE Smart Part Number	Description	TE Part Number
CBE1NO	1 NO contact block	2492669-1
CBE1NC	1 NC contact block	2492669-2

te.com

©2024 TE Connectivity Ltd. All Rights Reserved.

ALCOSWITCH, TE Connectivity, TE connectivity (logo) and Every Connection Counts are trademarks owned or licensed by the TE Connectivity Ltd. family of companies. All other logos, products and/or company names referred to herein might be trademarks of their respective owners.

While TE has made every reasonable effort to ensure the accuracy of the information in this document, TE does not guarantee that it is error-free, nor does TE make any other representation, warranty or guarantee that the information is accurate, correct, reliable or current. TE reserves the right to make any changes to the information contained herein without prior notice. TE Connectivity assumes only those obligations set forth in the terms and conditions for this product and shall in no event be liable for any incidental, indirect, or consequential damages arising out of the sale, resale, use, or misapplication of the product. TE expressly disclaims any implied warranties with respect to the information contained herein, including, but not limited to, implied warranties of merchantability or fitness for a particular purpose. Dimensions, specifications and/or information contained herein are for reference purposes only and are subject to change without notice. Consult TE for the latest dimensions, specifications and/or information. Users of TE Connectivity products must make their own assessment as to whether the respective product is suitable for the respective desired application.

09/24 ED