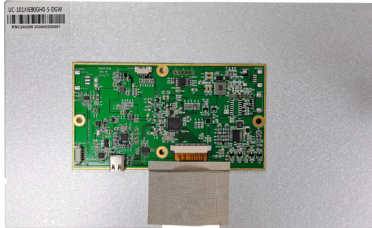


RoHS
Compliant



Description

The specification is model UC-101XIEB0GH0-S is a colour active matrix thin film transistor (TFT) liquid crystal display (LCD) that uses amorphous silicon TFT as a switching device. This model is composed of a TFT LCD panel, a driving circuit, a backlight system. This TFT LCD has a 10.1 inch diagonally measured active display area with WSVGA (1024 horizontal by 600 vertical pixels) resolution.

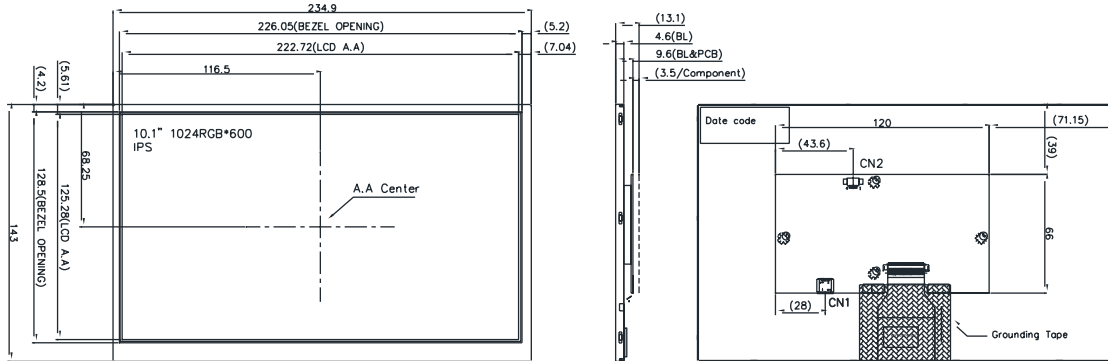
Features

- Supports VESA DisplayPort Alt. Mode 1a
- DisplayPort 1.3
- Build-in OSD function.

Specification

No.	Item	Specification	Unit
1	Panel Size	10.1"	Inch
2	Number of Pixels	1024 (W) × RGB × 600 (H)	Pixels
3	Active Area	222.72 (W) × 125.28 (H)	mm
4	Pixel Pitch	0.2175 (W) × 0.2088 (H)	mm
5	Outline Dimension	234.9 (W) × 143 (H) × 13.1 (T)	mm
6	Number of Colours	16.7M	--
7	Display Mode	IPS / Normally Black / Transmissive	--
8	Viewing Direction	Free direction	--
9	Display Format	RGB vertical stripe	--
10	Surface Treatment	Anti-Glare (3H)	--
11	Contrast Ratio	1000 (Typ.)	--
12	Luminance (cd/m ²)	600 (Typ.)	cd/m ²
13	Interface	Type-C (5V/3A)	--
14	Backlight	White LED	--
15	Operation Temperature	0 to 70	°C
16	Storage Temperature	-30 to 80	°C
17	Weight	TBD	g

Mechanical Specification



No.	Pin Name	No.	Pin Name
A1	GND	B12	GND
A2	Tx1+	B11	Rx1+
A3	Tx1-	B10	Rx1-
A4	VBUS	B9	VBUS
A5	CC1	B8	SBU2
A6	D+	B7	D-
A7	D-	B6	D+
A8	SBU1	B5	CC2
A9	VBUS	B4	VBUS
A10	Rx2-	B3	Tx2-
A11	Rx2+	B2	Tx2+
A12	GND	B1	GND

Pin Description

Pin No.	Symbol	I/O	Function
A1	GND	P	Ground
A2	TX1+	I/O	High speed data path TX for DP Alt Mode.
A3	TX1-	I/O	
A4	VBUS	P	Cable bus power +5V only.
A5	CC1	I/O	Type-C Port Configuration Channel
A6	D+	I/O	USB 2.0 Interface.
A7	D-	I/O	
A8	SBU1	I/O	USB Type-C Sideband Use 1
A9	VBUS	P	Cable bus power +5V only.
A10	RX2-	I/O	High speed data path RX for DP Alt Mode.
A11	RX2+	I/O	

A12	GND	P	Ground
B1	GND	P	Ground
B2	TX2+	I/O	High speed data path TX for DP Alt Mode.
B3	TX2-	I/O	
B4	VBUS	P	Cable bus power +5V only.
B5	CC2	I/O	Type-C Port Configuration Channel
B6	D+	I/O	USB 2.0 Interface.
B7	D-	I/O	
B8	SBU2	I/O	USB Type-C Sideband Use 2
B9	VBUS	P	Cable bus power +5V only.
B10	RX1-	I/O	High speed data path RX for DP Alt Mode.
B11	RX1+	I/O	
B12	GND	P	Ground

3.2 key Pad CN2 (50271-0040L-002 or compatible)

Pin	Symbol	I/O	Function
1	Power on/off	I	Power On/Off control.
2	Brightness increased	I	Brightness Increase.
3	Brightness decrease	I	Brightness decrease.
4	GND	P	Ground

4. Absolute Maximum Ratings

4.1 Electrical Absolute Rating

4.1.1 TFT LCD Module

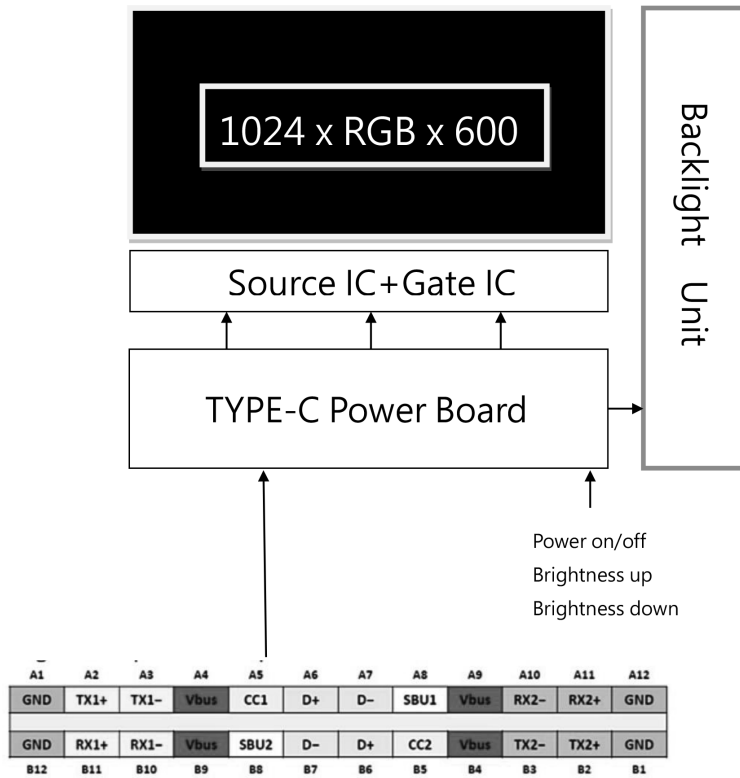
Item	Symbol	Values		Unit
		Min	Max.	
Power supply voltage	VBUS	-0.3	6	V

4.1.2 Environment Absolute Rating

Item	Symbol	Values			Unit	Note
		Min	Typ	Max.		
Operating Temperature	Topa	0		70	°C	Ambient temperature
Storage Temperature	Tstg	-30		80	°C	

5. Block Diagram

5.1 TFT LCD Module



6. Electrical Characteristics

6.1 TFT LCD Module

Item	Symbol	Values			Unit	Note
		Min.	Typ.	Max.		
Supply Voltage	VBUS	-	5	5.5	V	
Required current	IBUS	-	870	970	mA	(1)
LED life time	-	-	50000	-	Hr	(2)

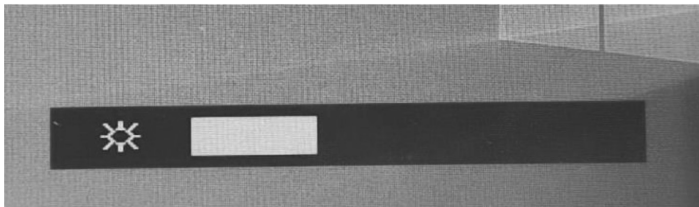
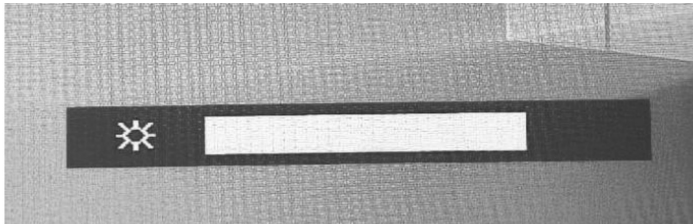
Note 1: under brightness 100%

Note 2: The "LED life time" is defined as the module brightness decrease to 50% original brightness that the ambient temperature is 25°C 60% RH.

6.2 OSD Function

Built-in OSD function, connected to the external key pad to CN2, can control the screen switch On/Off and backlight brightness control.

The adjusted brightness level will be automatically memorized.

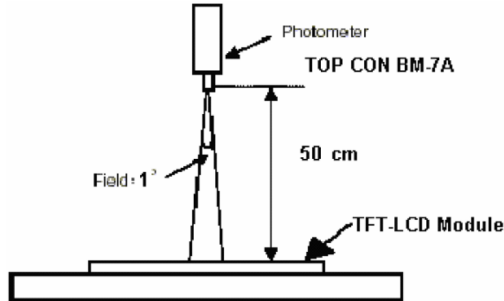


Optical Characteristics

Item		Symbol	Condition	Min.	Typ.	Max.	Unit
Brightness		--	Note1, Note 3, ($\theta = 0^\circ$, Normal Viewing Angle)	480	600	--	cd/m ²
Uniformity		B-uni		70	75	--	%
Contrast Ratio		CR		800	1000	--	--
Response Time		Tr+Tf		--	25	35	ms
Colour Chromaticity	White	Wx	Center CR \geq 10	0.26	0.31	0.36	--
		Wy		0.28	0.33	0.38	
View angle	Horizontal	θ_{x+}	Center CR \geq 10	80	85	--	
		θ_{x-}					
	Vertical	θ_{Y+}					
		θ_{Y-}					

Note: The following optical specifications shall be measured in a darkroom or equivalent state (ambient luminance ≤ 1 lux, and at room temperature). The operation temperature is $25^\circ\text{C} \pm 2^\circ\text{C}$. The measurement method is shown in Note 1.

Note 1: The method of optical measurement:

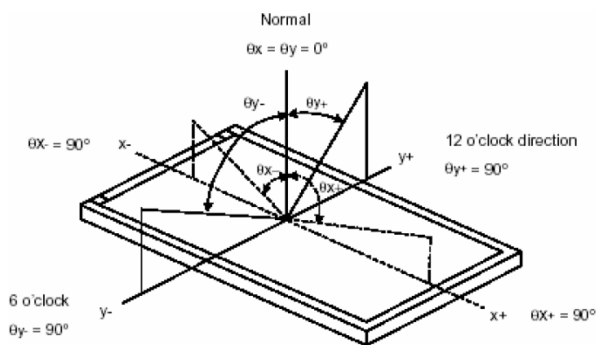


Note2: Measured at the center area of the panel and at the viewing angle of the $\theta_x = \theta_y = 0^\circ$

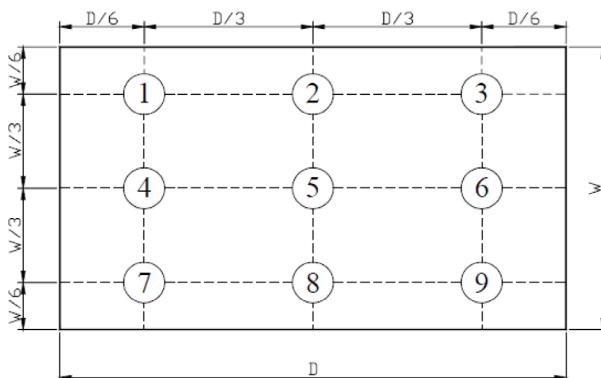
Note3: Definition of Contrast Ratio (CR):

CR = Luminance with all pixels in white state ÷ Luminance with all pixels in Black state

Definition of Viewing Angle



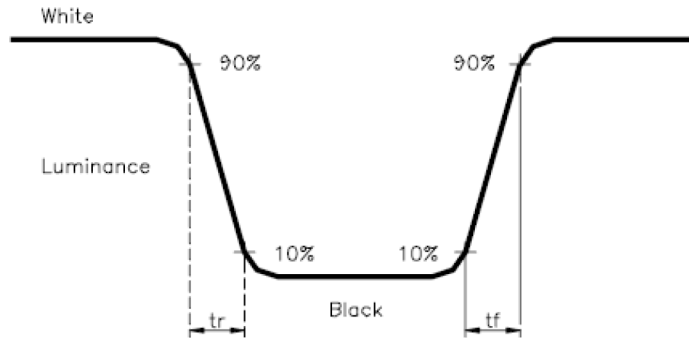
Definition of Brightness Uniformity (B-uni)



B-uni = (Minimum luminance of 9 points ÷ Maximum luminance of 9 points) X 100%

Note 6: Definition of Response Time:

The Response Time is set initially by defining the “Rising Time (Tr)” and the “Falling Time (Tf)” respectively. Tr and Tf are defined as following figure



Note 7: Definition of Chromaticity:

The colour coordinates (Wx,Wy),(Rx,Ry),(Gx,Gy),and (Bx,By) are obtained with all pixels in the viewing field at white, red, green, and blue states, respectively.

Part Number Table

Description	Part Number
TFT LCD Display, USB C, 10", 1280 × 800	MP015131

Important Notice : This data sheet and its contents (the "Information") belong to the members of the AVNET group of companies (the "Group") or are licensed to it. No licence is granted for the use of it other than for information purposes in connection with the products to which it relates. No licence of any intellectual property rights is granted. The Information is subject to change without notice and replaces all data sheets previously supplied. The Information supplied is believed to be accurate but the Group assumes no responsibility for its accuracy or completeness, any error in or omission from it or for any use made of it. Users of this data sheet should check for themselves the Information and the suitability of the products for their purpose and not make any assumptions based on information included or omitted. Liability for loss or damage resulting from any reliance on the Information or use of it (including liability resulting from negligence or where the Group was aware of the possibility of such loss or damage arising) is excluded. This will not operate to limit or restrict the Group's liability for death or personal injury resulting from its negligence. Multicomp Pro is the registered trademark of Premier Farnell Limited 2019.