

SPECIFICATIONS:

MATERIALS:

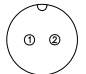
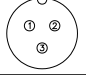
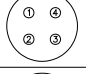
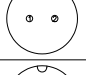
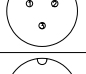
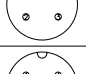
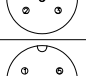
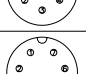
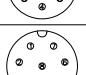
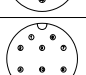
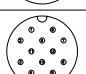

HOUSING: PA66, UL94 V-0, BLACK
 CONTACTS: GOLD FLASH PLATED BRASS
 NUT: PA66, UL94 V-0, BLACK
 ORING: SILICONE

ELECTRICAL:

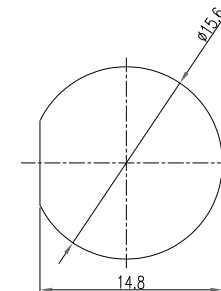
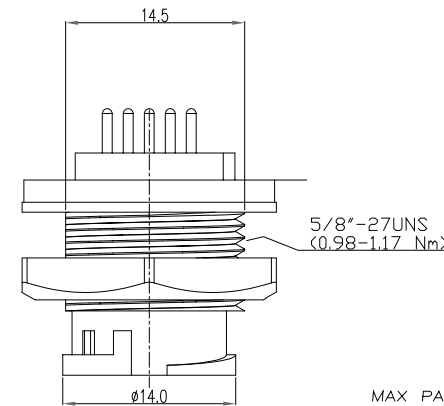
RATED CURRENT: SEE TABLE TO LEFT
 RATED VOLTAGE: 250V
 INSULATION RESISTANCE: 100 MOhms MIN.
 CONTACT RESISTANCE: 10 mOhms MAX.

ENVIRONMENT:

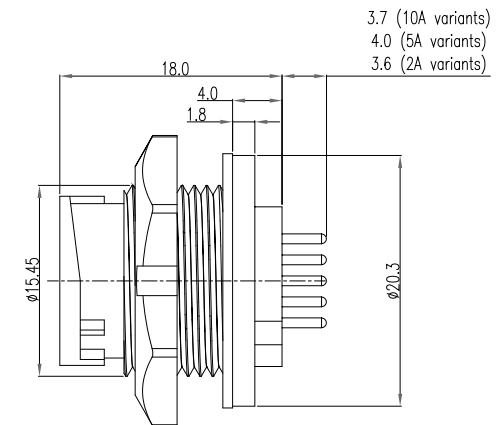
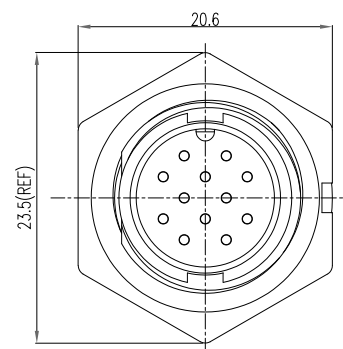
OPERATING TEMPERATURE: -40°C TO +105°C
 WATER PROOF: IP67

POSITIONS AVAILABLE			
NorComp Part Number	POSITIONS		MAX AMPERAGE
870-02A-113R001	2A		10A
870-03A-113R001	3A		10A
870-04A-113R001	4A		10A
870-02B-113R001	2B		5A
870-03B-113R001	3B		5A
870-04B-113R001	4B		5A
870-005-113R001	5		5A
870-006-113R001	6		5A
870-007-113R001	7		5A
870-008-113R001	8		5A
870-010-113R001	10		2A
870-012-113R001	12		2A

PCB LAYOUTS ON PAGE 2



RECOMMENDED PANEL CUT-OUT
 MAX PANEL THICKNESS OF 4mm RECOMMENDED



UNITS = mm

DO NOT SCALE FROM DRAWING



THESE DRAWINGS AND SPECIFICATIONS ARE THE PROPERTY OF NorComp AND SHALL NOT BE REPRODUCED, COPIED OR USED AS THE BASIS FOR THE MANUFACTURE OR SALE OF APPARATUS WITHOUT WRITTEN PERMISSION.

DRAWN:

J. KADEL

DATE:

06/17/2024

NorComp

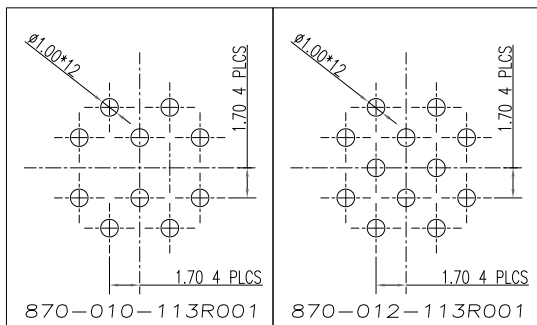
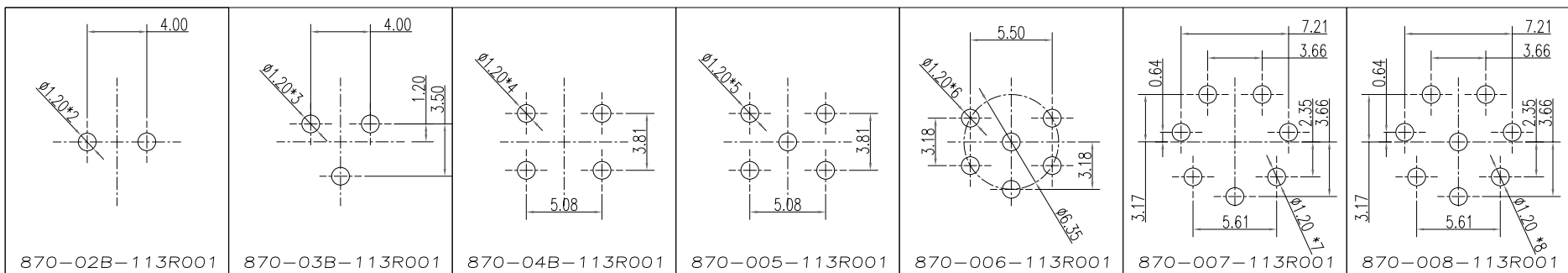
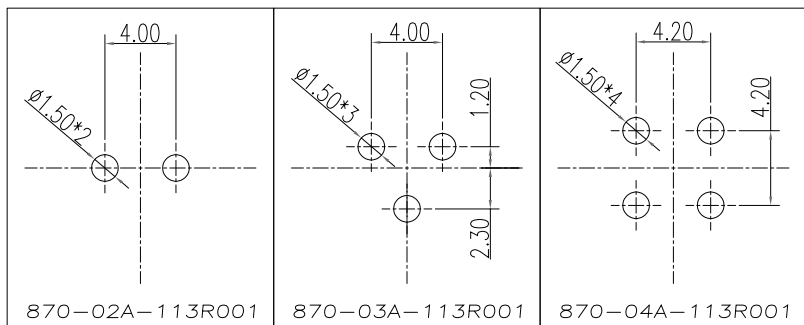
SCALE:
NTS

SHEET 1 OF 2

REV 1

DWG NO.

870-YYY-113R001



RoHS COMPLIANT

UNITS = mm

DO NOT SCALE FROM DRAWING



THESE DRAWINGS AND SPECIFICATIONS ARE THE PROPERTY OF NorComp AND SHALL NOT BE REPRODUCED, COPIED OR USED AS THE BASIS FOR THE MANUFACTURE OR SALE OF APPARATUS WITHOUT WRITTEN PERMISSION.

DRAWN:

J. KADEL

DATE:

06/17/2024

NorComp

SCALE:

NTS

SHEET

OF

2

2

REV

1

DWG NO.

870-YYY-113R001