



# TAOGLAS®



# Datasheet

## Wall Mount Bracket

**Part No:**  
WMB.A.SMA.F.305111

### **Description:**

Wall Mount Bracket for SMA Antennas

### **Features:**

- Mounts Flush to Wall
- 3m Low Loss TGC-200 Cable
- All accessories included
- Designed for all Taoglas SMA Terminated products
- SMA(M) Connector at the end of cable run
- RoHS and REACH Compliant

1. Introduction	3
2. Specifications	4
3. Mechanical Drawing	6
4. Typical Layout	8
5. Evaluation Board Drawing	7
6. Recommended Solder Reflow	8
7. Packaging	9
<hr/>	
Changelog	10

Taoglas makes no warranties based on the accuracy or completeness of the contents of this document and reserves the right to make changes to specifications and product descriptions at any time without notice. Taoglas reserves all rights to this document and the information contained herein. Reproduction, use or disclosure to third parties without express permission is strictly prohibited.



# 1. Introduction



The Taoglas WMB.A.SMA.F.305111 Wall Mount Bracket is designed to be compatible to any SMA Male terminated Antenna. The WMB bracket is made from a robust ABS and PC Alloy for installations where strength of installation is key.

Typical applications include:

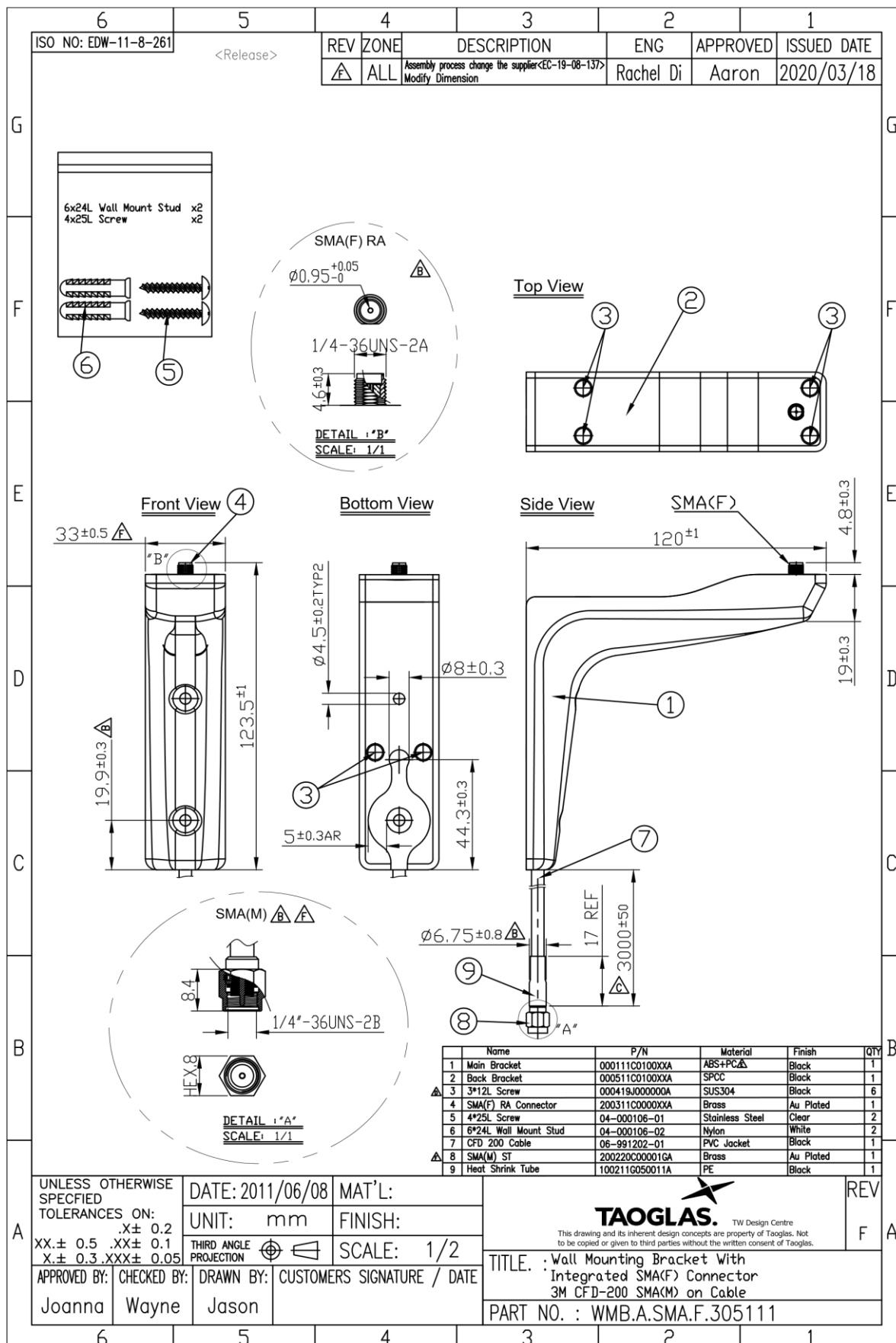
- Connected Enterprise
- Smart Industrial
- Warehousing Private Networks
- Building Sites

The WMB.A.SMA.F.305111 is supplied with 3m of low loss TGC-200 cable for optimum performance and terminated with an SMA Male connector, for connections with most industry standard gateways and routers. Customized cable lengths and connectors are readily available, please contact your regional Taoglas customer support team for more information.

## 2. Specifications

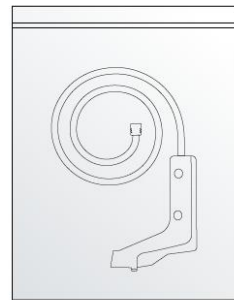
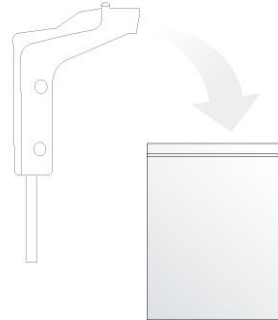
<b>Mechanical</b>	
<b>Wall Profile</b>	123.5 x 33mm
<b>Length from Wall to edge</b>	120 mm
<b>Material</b>	ABS + PC Alloy
<b>Connector on Bracket</b>	SMA Female
<b>Cable</b>	3m of TGC-200
<b>Connector on Cable</b>	SMA Male Straight
<b>Environmental</b>	
<b>Salt Spray [ISO 9227:2012]</b>	48 hours
<b>Storage Temperature</b>	-40°C to 85°C

### 3. Mechanical Drawing (Units: mm)

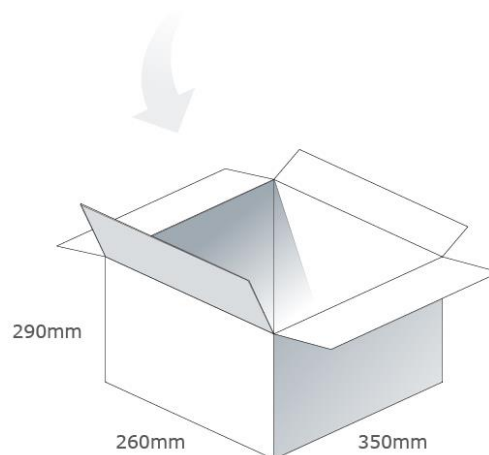


## 4. Packaging

1pcs WMB.A.SMA.F.305111



Confirm the quantity per carton  
 24 pcs per carton  
 Carton Label  
 Carton(mm) 350 x 260 x 290



Changelog for the datasheet

**SPE-23-8-095 – WMB.A.SMA.F.305111**

**Revision: A (Original First Release)**

Date:	2023-04-25
Notes:	
Author:	Jack Conroy

**Previous Revisions**




**TAOGLAS**®

[www.taoglas.com](http://www.taoglas.com)

