

2-747580-1 ✓ ACTIVE

AMPLIMITE | AMPLIMITE Kit

TE Internal #: 2-747580-1

Ferrule, AMPLIMITE Kit

[View on TE.com >](#)



Connectors > Connector Accessories > Connector Strain Relief



Strain Relief Accessory Type: **Ferrule**

Packaging Method: **Bag**

Packaging Quantity: **100**

EU RoHS Compliance: **Compliant**

EU ELV Compliance: **Compliant**

Features

Dimensions

.625 in

Product Type Features

Strain Relief Accessory Type	Ferrule
------------------------------	---------

Packaging Features

Packaging Method	Bag
------------------	-----

Packaging Quantity	100
--------------------	-----

Other

EU RoHS Compliance	Compliant
--------------------	-----------

EU ELV Compliance	Compliant
-------------------	-----------

Housing Features

Body Orientation	Horizontal
------------------	------------

Product Compliance

[For compliance documentation, visit the product page on TE.com>](#)

EU RoHS Directive 2011/65/EU	Compliant
------------------------------	-----------

EU ELV Directive 2000/53/EC	Compliant
-----------------------------	-----------

China RoHS 2 Directive MIIT Order No 32, 2016	No Restricted Materials Above Threshold
---	---

EU REACH Regulation (EC) No. 1907/2006	Current ECHA Candidate List: JUNE 2024 (241)
--	--

Candidate List Declared Against: JAN 2024
(240)

Does not contain REACH SVHC

Halogen Content

Low Halogen - Br, Cl, F, I < 900 ppm per homogenous material. Also BFR/CFR/PVC Free

Solder Process Capability

Not applicable for solder process capability

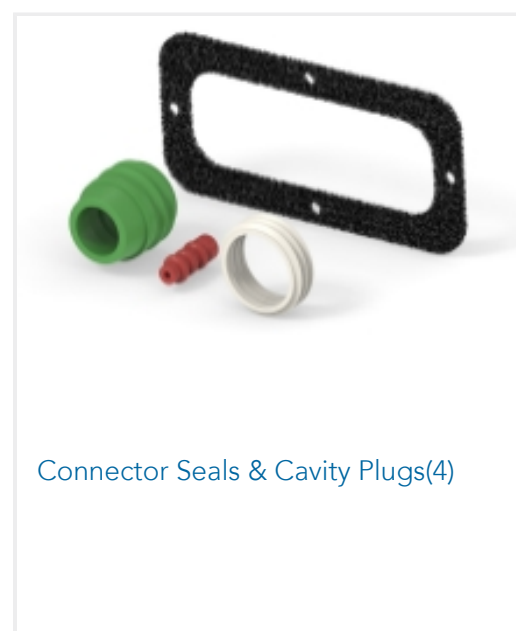
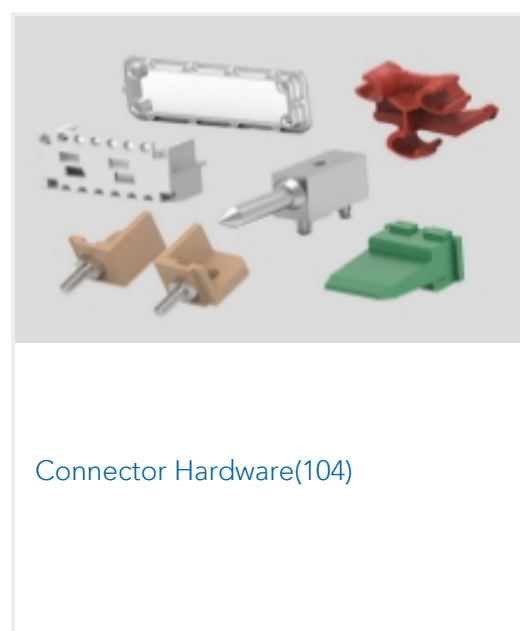
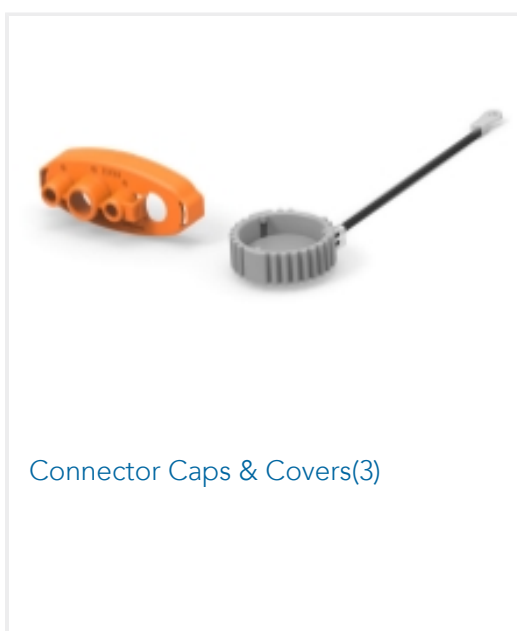
Product Compliance Disclaimer

This information is provided based on reasonable inquiry of our suppliers and represents our current actual knowledge based on the information they provided. This information is subject to change. The part numbers that TE has identified as EU RoHS compliant have a maximum concentration of 0.1% by weight in homogenous materials for lead, hexavalent chromium, mercury, PBB, PBDE, DBP, BBP, DEHP, DIBP, and 0.01% for cadmium, or qualify for an exemption to these limits as defined in the Annexes of Directive 2011/65/EU (RoHS2). Finished electrical and electronic equipment products will be CE marked as required by Directive 2011/65/EU. Components may not be CE marked. Additionally, the part numbers that TE has identified as EU ELV compliant have a maximum concentration of 0.1% by weight in homogenous materials for lead, hexavalent chromium, and mercury, and 0.01% for cadmium, or qualify for an exemption to these limits as defined in the Annexes of Directive 2000/53/EC (ELV). Regarding the REACH Regulation, the information TE provides on SVHC in articles for this part number is based on the latest European Chemicals Agency (ECHA) 'Guidance on requirements for substances in articles' posted at this URL: <https://echa.europa.eu/guidance-documents/guidance-on-reach>

Compatible Parts



Also in the Series | AMPLIMITE Kit



Customers Also Bought



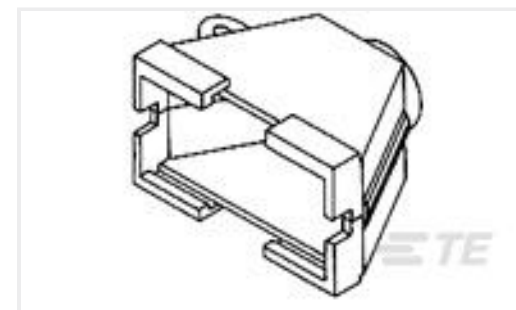
TE Part #1658645-1
KIT,HDP-20,OVRMLD,PLUG,SIZE 1,



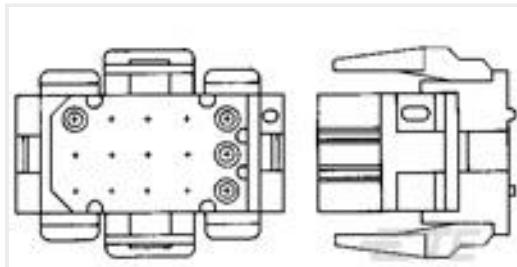
TE Part #1-5745967-6
D-Sub Receptacle Assembly: Vertical,
Shell Size 3, 2.77mm



TE Part #1658544-2
PIN CONT DUPL PLT STRIP HD-20



TE Part #350373-1
06P STR/REL HSG HNGD



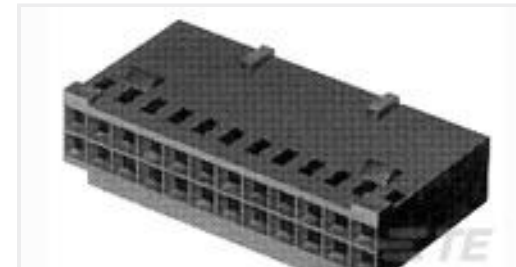
TE Part #1-640520-0
06P MR II PLUG HSG



TE Part #2-350375-0
MR SPLT GROMET .296 DIA BLK LF



TE Part #5-104450-3
04 MTE HDR SRST LATCH W/HLDWN



TE Part #1-87631-0
14 MODIV HSG DR MRKD .100 POL

Documents

Product Drawings

[SHLDING FERRULE,PLTD TIN,BULK](#)

English

CAD Files

[3D PDF](#)

3D

Customer View Model

[ENG_CVM_CVM_2-747580-1_V.2d_dxf.zip](#)

English

Customer View Model

[ENG_CVM_CVM_2-747580-1_V.3d_igs.zip](#)

English

Customer View Model

[ENG_CVM_CVM_2-747580-1_V.3d_stp.zip](#)

English

By downloading the CAD file I accept and agree to the [Terms and Conditions](#) of use.

Datasheets & Catalog Pages

[AMPLIMITE Subminiature D Connectors - Cable Connectors](#)

English

[AMPLIMITE Cable Connectors and Shielding Hardware Kits QRG](#)

English

Product Specifications

[Application Specification](#)

English



Application Specification

English

Instruction Sheets

Instruction Sheet (U.S.)

English

Instruction Sheet (U.S.)

English

Instruction Sheet (U.S.)

English

Shielding Hardware Kits with AMPLIMITE HD-20 Solder Contact Connectors

English

Instruction Sheet (U.S.)

English