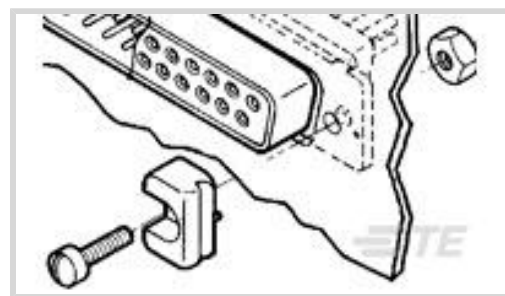




Connectors > Connector Accessories > Connector Hardware



Hardware Accessory Function: **Latching, Locking & Retention**

Connector Hardware Accessory Type: **Latching Block**

Primary Product Material: **Zinc**

EU RoHS Compliance: **Compliant**

EU ELV Compliance: **Compliant**

### Features

#### Dimensions

	.4 in
--	-------

#### Product Type Features

Hardware Accessory Function	Latching, Locking & Retention
Connector Hardware Accessory Type	Latching Block

#### Body Features

Primary Product Material	Zinc
--------------------------	------

#### Other

EU RoHS Compliance	Compliant
EU ELV Compliance	Compliant

#### Mechanical Attachment

Panel Attachment Style	Rear Mount
------------------------	------------

#### Packaging Features

Packaging Method	Bag
Packaging Quantity	500

### Product Compliance

[For compliance documentation, visit the product page on TE.com>](#)

EU RoHS Directive 2011/65/EU	Compliant
EU ELV Directive 2000/53/EC	Compliant

China RoHS 2 Directive MIIT Order No 32, 2016	No Restricted Materials Above Threshold
EU REACH Regulation (EC) No. 1907/2006	Current ECHA Candidate List: JUNE 2024 (241) Candidate List Declared Against: JUNE 2024 (241) Does not contain REACH SVHC
Halogen Content	Low Halogen - Br, Cl, F, I < 900 ppm per homogenous material. Also BFR/CFR/PVC Free
Solder Process Capability	Not applicable for solder process capability

Product Compliance Disclaimer

This information is provided based on reasonable inquiry of our suppliers and represents our current actual knowledge based on the information they provided. This information is subject to change. The part numbers that TE has identified as EU RoHS compliant have a maximum concentration of 0.1% by weight in homogenous materials for lead, hexavalent chromium, mercury, PBB, PBDE, DBP, BBP, DEHP, DIBP, and 0.01% for cadmium, or qualify for an exemption to these limits as defined in the Annexes of Directive 2011/65/EU (RoHS2). Finished electrical and electronic equipment products will be CE marked as required by Directive 2011/65/EU. Components may not be CE marked. Additionally, the part numbers that TE has identified as EU ELV compliant have a maximum concentration of 0.1% by weight in homogenous materials for lead, hexavalent chromium, and mercury, and 0.01% for cadmium, or qualify for an exemption to these limits as defined in the Annexes of Directive 2000/53/EC (ELV). Regarding the REACH Regulation, the information TE provides on SVHC in articles for this part number is based on the latest European Chemicals Agency (ECHA) 'Guidance on requirements for substances in articles' posted at this URL: <https://echa.europa.eu/guidance-documents/guidance-on-reach>

## Compatible Parts



TE Part # 745245-2  
SPECIAL LATCH BLOCK-2 PER BAG



TE Part # 745286-3  
LATCHING BLOCK SZ 1-4 BULK

## Also in the Series | AMPLIMITE Kit



Connector Caps & Covers(3)



Connector Hardware(104)

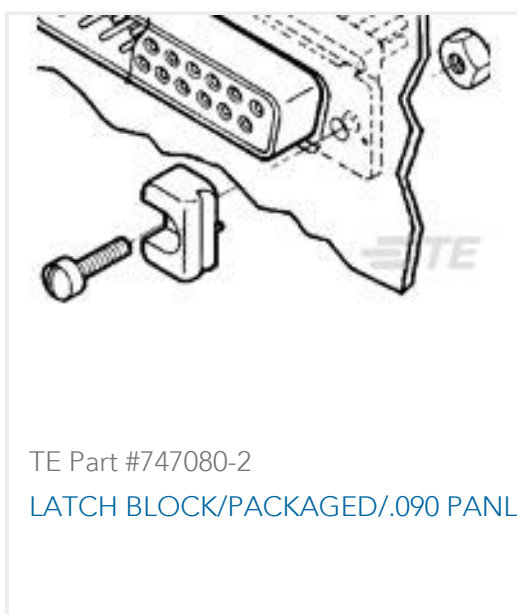


Connector Seals & Cavity Plugs(4)



Connector Strain Relief(144)

## Customers Also Bought



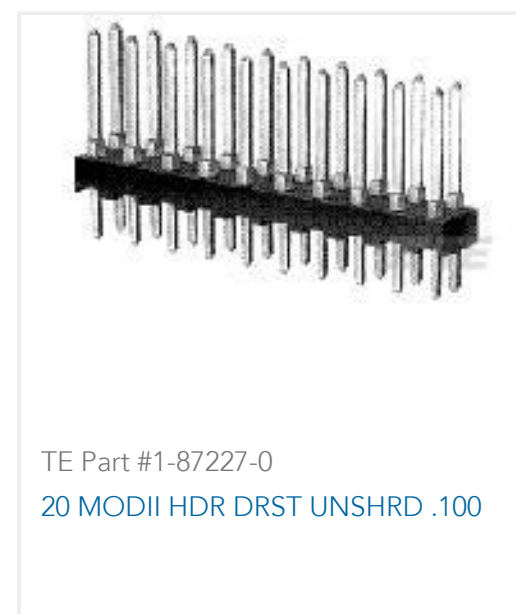
TE Part #747080-2  
LATCH BLOCK/PACKAGED/.090 PANL



TE Part #1393219-3  
PE014005



TE Part #5145299-1  
SIM/SAM RECPT,6 POS,SMT



TE Part #1-87227-0  
20 MODII HDR DRST UNSHRD .100



TE Part #66570-2  
20 DF PIN PLTD



TE Part #970335-000  
S1278-01



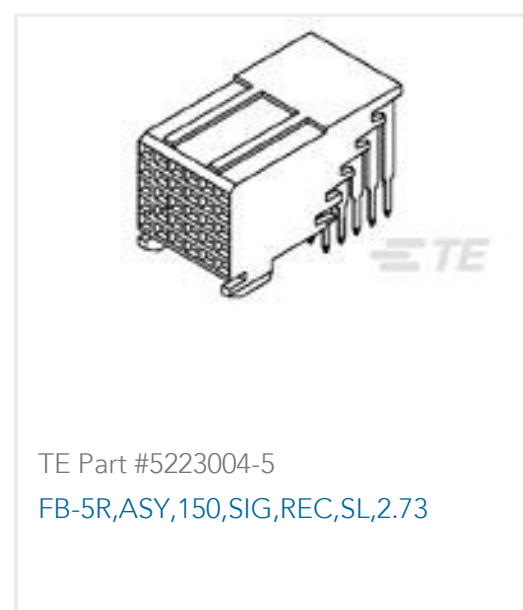
TE Part #0081930001  
ES-CAP-NO.1-C1-X-30MM



TE Part #8-1474566-1  
FSP-11A-6



TE Part #1478884-3  
METRIC EMC GLAND M20X1.5



TE Part #5223004-5  
FB-5R,ASY,150,SIG,REC,SL,2.73

## Documents

### Product Drawings

#### LATCHING BLOCK BULK PAK

English

### CAD Files

#### 3D PDF

3D

#### Customer View Model

[ENG\\_CVM\\_CVM\\_745245-3\\_E.2d\\_dxf.zip](#)

English

#### Customer View Model

[ENG\\_CVM\\_CVM\\_745245-3\\_E.3d\\_igs.zip](#)

English

#### Customer View Model

[ENG\\_CVM\\_CVM\\_745245-3\\_E.3d\\_stp.zip](#)

English

By downloading the CAD file I accept and agree to the [Terms and Conditions](#) of use.

### Datasheets & Catalog Pages



[AMPLIMITE Subminiature D Connectors - Cable Connectors](#)

English

[AMPLIMITE Cable Connectors and Shielding Hardware Kits QRG](#)

English

---

[Product Specifications](#)

[Application Specification](#)

English

---

[Instruction Sheets](#)

[Instruction Sheet \(U.S.\)](#)

English

---

[Agency Approvals](#)

[Agency Approval Document](#)

English