

2-5747709-0 ✓ ACTIVE

AMPLIMITE | AMPLIMITE HD-20

TE Internal #: 2-5747709-0

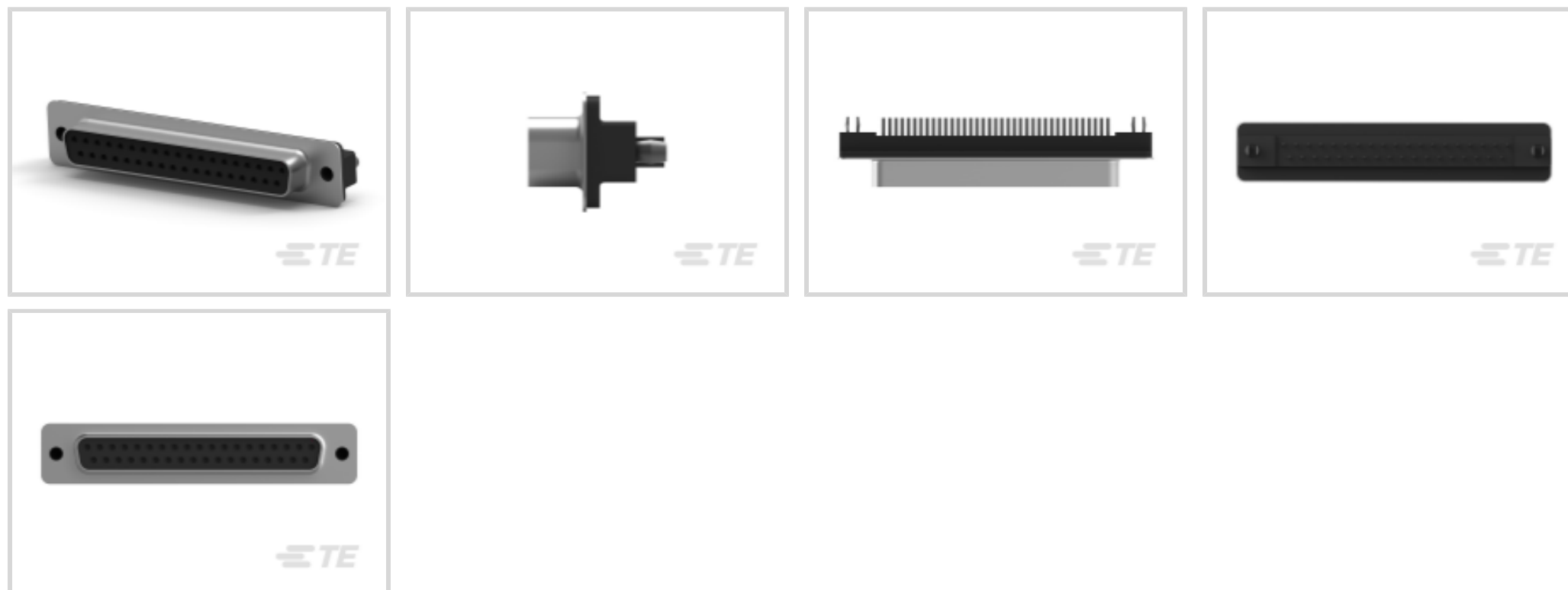
Receptacle, Board-to-Board, 37 Position, 2.77 mm [.109 in]

Centerline, 2 Row, 4 Connector Shell Size, Round, AMPLIMITE HD-20, PCB D-Sub Connectors

[View on TE.com >](#)



Connectors > D-Shaped Connectors > D-Sub Connectors > PCB D-Sub Connectors > D-Sub Receptacle Assembly: Vertical, Shell Size 4, 2.77mm



Connector & Housing Type: **Receptacle**

Connector System: **Board-to-Board**

Number of Positions: **37**

Centerline (Pitch): **2.77 mm [.109 in]**

Number of Rows: **2**

[All D-Sub Receptacle Assembly: Vertical, Shell Size 4, 2.77mm \(30\)](#)

Features

Contact Features

	30 μ m
Contact Shape & Form	Round
Contact Current Rating (Max)	6 A
Contact Underplating Material	Copper
PCB Termination Area Plating Finish	Bright
Contact Options	Installed
Contact Mating Area Plating Material	Gold
Contact Base Material	Phosphor Bronze
PCB Contact Termination Area Plating Material	Tin

Product Type Features

Connector & Housing Type	Receptacle
Connector System	Board-to-Board
Connector Shell Size	4



Connector & Contact Terminates To	Printed Circuit Board
-----------------------------------	-----------------------

Shell Material Configuration	Front Metal Shell
------------------------------	-------------------

Configuration Features

Number of Positions	37
---------------------	----

Number of Rows	2
----------------	---

PCB Mount Orientation	Vertical
-----------------------	----------

Housing Features

Centerline (Pitch)	2.77 mm [.109 in]
--------------------	-------------------

Housing Material	Thermoplastic
------------------	---------------

Shell Material	Carbon Steel
----------------	--------------

Dimensions

Row-to-Row Spacing	2.84 mm [.112 in]
--------------------	-------------------

PCB Thickness (Recommended)	1.57 mm [.062 in]
-----------------------------	-------------------

Body Features

Connector Profile	Standard
-------------------	----------

Assembly Process Feature Material	Brass
-----------------------------------	-------

Insert Material	Brass
-----------------	-------

Shell Plating Material	Tin
------------------------	-----

Primary Product Color	Black
-----------------------	-------

Mechanical Attachment

PCB Mount Retention	With
---------------------	------

PCB Mount Retention Type	4-40 Retention Insert
--------------------------	-----------------------

Mating Retention	Without
------------------	---------

Connector Mounting Type	Board Mount
-------------------------	-------------

Mounting Hole Diameter	3.07 mm [.121 in]
------------------------	-------------------

Assembly Process Feature Plating Material	Tin over Nickel
---	-----------------

Operation/Application

Circuit Application	Signal
---------------------	--------

Usage Conditions

Operating Temperature Range	-55 – 105 °C [-67 – 221 °F]
-----------------------------	-----------------------------

Other



EU RoHS Compliance	Compliant with Exemptions
--------------------	---------------------------

EU ELV Compliance	Compliant with Exemptions
-------------------	---------------------------

Termination Features

Termination Post & Tail Diameter	.66 mm[.026 in]
----------------------------------	-----------------

Termination Method to PCB	Through Hole - Solder
---------------------------	-----------------------

Termination Post & Tail Length	3.18 mm[.125 in]
--------------------------------	------------------

Industry Standards

UL Flammability Rating	UL 94V-0
------------------------	----------

Compatible With Approved Standards Products	UL E28476
---	-----------

Packaging Features

Packaging Quantity	7
--------------------	---

Packaging Method	Tube
------------------	------

Product Compliance

[For compliance documentation, visit the product page on TE.com>](#)

EU RoHS Directive 2011/65/EU	Compliant with Exemptions
------------------------------	---------------------------

EU ELV Directive 2000/53/EC	Compliant with Exemptions
-----------------------------	---------------------------

China RoHS 2 Directive MIIT Order No 32, 2016	Restricted Materials Above Threshold
---	--------------------------------------

EU REACH Regulation (EC) No. 1907/2006	Current ECHA Candidate List: JUNE 2024 (241)
--	--

Candidate List Declared Against: JUNE 2024 (241)

SVHC > Threshold:

Pb (3.7% in Component Part)

Article Safe Usage Statements:

Do not eat, drink or smoke when using this product. Wash thoroughly after handling. Recycle if possible and dispose of the article by following all applicable governmental regulations relevant to your geographic location.

Halogen Content	Not Low Halogen - contains Br or Cl > 900 ppm.
-----------------	--

Solder Process Capability	Wave solder capable to 265°C
---------------------------	------------------------------

Product Compliance Disclaimer

This information is provided based on reasonable inquiry of our suppliers and represents our current actual knowledge based on the information they provided. This information is subject to change. The part numbers that TE has identified as EU RoHS compliant have a maximum concentration of 0.1% by weight in homogenous materials for lead, hexavalent chromium, mercury, PBB, PBDE, DBP, BBP, DEHP, DIBP, and 0.01% for cadmium, or qualify for an exemption to these limits as defined in the Annexes of Directive 2011/65/EU (RoHS2). Finished electrical and electronic equipment products will be CE marked as required by Directive 2011/65/EU. Components may not be CE marked. Additionally, the part numbers that TE has identified as EU ELV compliant have a maximum concentration of 0.1% by weight in homogenous materials for lead, hexavalent chromium, and mercury, and 0.01% for cadmium, or qualify for an exemption to these limits as defined in the Annexes of Directive 2000/53/EC (ELV). Regarding the REACH Regulation, the information TE provides on SVHC in articles for this part number is based on the latest European Chemicals Agency (ECHA) 'Guidance on



requirements for substances in articles' posted at this URL: <https://echa.europa.eu/guidance-documents/guidance-on-reach>

Compatible Parts



TE Part # CAT-AM7-H3
IDC D-Sub: Plug Assembly, Low Profile, Signal, 2.77 mm



TE Part # CAT-AM7-248H4
IDC D-Sub: Connector Kit, Plug, Wire to Wire, Signal, 2.77 mm

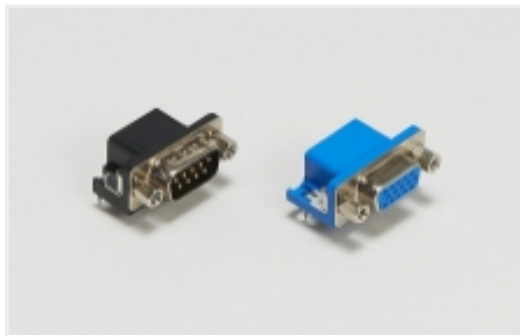


TE Part # CAT-AM7-248H3
IDC D-Sub: Plug Assembly, Wire to Wire, Signal, 2.77 mm



TE Part # 206509-1
SIZE 20 KEYING PLUG

Also in the Series | AMPLIMITE HD-20



PCB D-Sub Connectors(353)

Customers Also Bought



TE Part #2-5747704-0
25 PLUG SP/FMS BRDLK



TE Part #2-5748003-0
09 PLUG SP/FMS BRDLK



TE Part #2-5747708-0
25 RCPT SP/FMS BRDLK



TE Part #2-5747706-0
09 RCPT SP/FMS BRDLK



TE Part #2-5747707-0
15 RCPT SP/FMS BRDLK



TE Part #1-103308-0
050 LOPRO HDR SP 15DP



TE Part #350428-4
02P UMNL PIN HDR ASSY NATL AU



TE Part #1734577-3
MOD-JK,8P8C,SHD W/LED, G/Y,30U



Documents

Product Drawings

[37 RCPT SP/FMS BRDLK](#)

English

CAD Files

[3D PDF](#)

English

Customer View Model

[ENG_CVM_2-5747709-0_A.2d_dxf.zip](#)

English

Customer View Model

[ENG_CVM_2-5747709-0_A.3d_igs.zip](#)

English

Customer View Model

[ENG_CVM_2-5747709-0_A.3d_stp.zip](#)

English

By downloading the CAD file I accept and agree to the [Terms and Conditions](#) of use.

Datasheets & Catalog Pages

[AMPLIMITE Subminiature D Connectors - Straight Posted Connectors](#)

English

Product Specifications

[Application Specification](#)

English

Agency Approvals

[UL Report](#)

English