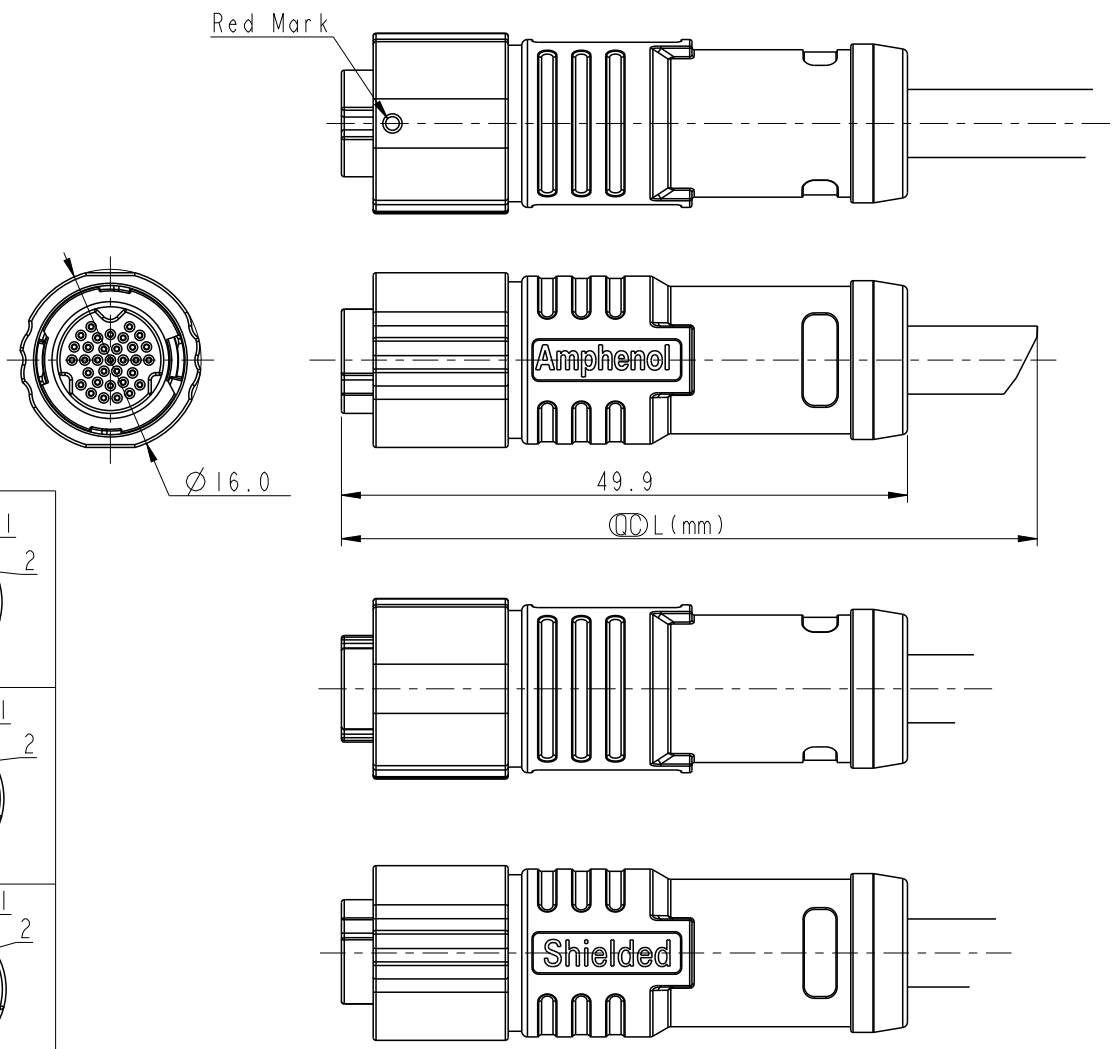


THIS DOCUMENT IS SUBJECT TO CHANGE WITHOUT NOTICE. IT IS CONFIDENTIAL AND A PROPERTY OF Amphenol LTW. DISCLOSURE TO THIRD PARTY HAS TO BE AUTHORIZED BY Amphenol LTW.

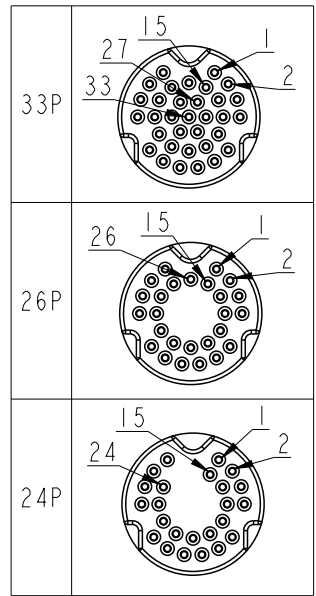
24P	PVC	5.6	32	ASY-24BFFM-QL8CXX
26P	PVC	5.6	32	ASY-26BFFM-QL8CXX
33P	PVC	6.0	32	ASY-33BFFM-QL8CXX
Contacts	Cable Jacket	Cable OD	AWG	Item No.

REV.	ECN NO.	DATE	SIGN	DESCRIPTION
A		2024-07-01	Sam Ho	Rev.04 to A, Initial Released



ASY-XXBFFM-QL8CXX  
 XX:L=0~99Meters  
 01:L=1Meters  
 02:L=2Meters  
 :  
 99:L=99Meters  
 XX: No. Of Pin

Note:  
 \* RoHS Compliant  
 \*  $\varnothing$  Important dimension  
 \* Waterproof rate: IP68, mated 1m/24h  
 \* Connector  
 Housing: Thermoplastic, Black  
 Pin: Copper alloy, Gold plated  
 Shield: Metal  
 Nut: Metal  
 Outer mold: Thermoplastic, Black  
 \* Cable: UL2517, PVC Jacket, Black  
 \* Cable length tolerance:  
 1M: +50/-0 mm  
 1M < L ≤ 3M: +100/-0 mm  
 3M < L ≤ 5M: +150/-0 mm  
 5M < L ≤ 10M: ±100 mm  
 10M < L ≤ 20M: ±200 mm  
 20M < L ≤ 30M: ±300 mm  
 30M < L ≤ 99M: ±500 mm



UNIT: mm		TITLE
TOLERANCE	$\pm 0.50\text{mm}$	XLOK, A SHLD-0.5A, UHD, CABLE W/O SR
SCALE	2:1	SIZE A4
REV.	A	SHEET 1 OF 2
		WC-REV.
		$\varnothing$ : Inspection item

**Amphenol LTW**  
 安費諾亮泰企業股份有限公司

ITEM NO.	DRAWN BY	DATE
	Sam Ho	2024-07-01
DWG NO.	CHECKED BY	DATE
ASY-XXBFFM-QL8CXX	Aric Ko	2024-07-01
CUSTOMER	APPROVED BY	DATE
ALTW	Fred Lee	2024-07-01

THIS DOCUMENT IS SUBJECT TO CHANGE WITHOUT NOTICE. IT IS CONFIDENTIAL AND A PROPERTY OF AMPHENOL LTW. DISCLOSURE TO THIRD PARTY HAS TO BE AUTHORIZED BY AMPHENOL LTW.

1 2 3 4 5 6 7 8

F

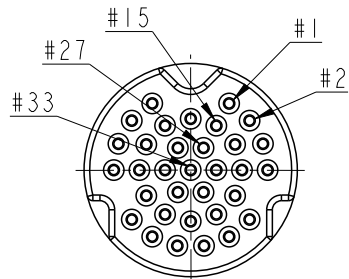
E

D

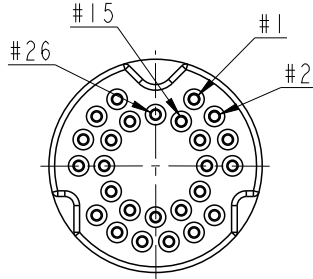
C

B

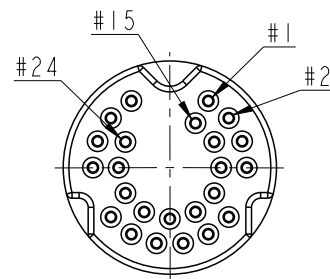
A



33Pin



26Pin



24Pin

16	Green/White	綠/白
15	Yellow/White	黃/白
14	Orange/White	橘/白
13	Red/White	紅/白
12	Brown/White	棕/白
11	Black/White	黑/白
10	White	白
9	Gray	灰
8	Purple	紫
7	Blue	藍
6	Green	綠
5	Yellow	黃
4	Orange	橘
3	Red	紅
2	Brown	棕
1	Black	黑
Shell	Braid	編織
Pin#	Wire	

33	Blue/Black	藍/黑
32	Green/Black	綠/黑
31	Yellow/Black	黃/黑
30	Orange/Black	橘/黑
29	Yellow/Green	黃/綠
28	Brown/Black	棕/黑
27	Gray/Red	灰/紅
26	Purple/Red	紫/紅
25	Blue/Red	藍/紅
24	Green/Red	綠/紅
23	Yellow/Red	黃/紅
22	Orange/Red	橘/紅
21	Brown/Red	棕/紅
20	Black/Red	黑/紅
19	Gray/White	灰/白
18	Purple/White	紫/白
17	Blue/White	藍/白
Pin#	Wire	

16	Green/White	綠/白
15	Yellow/White	黃/白
14	Orange/White	橘/白
13	Red/White	紅/白
12	Brown/White	棕/白
11	Black/White	黑/白
10	White	白
9	Gray	灰
8	Purple	紫
7	Blue	藍
6	Green	綠
5	Yellow	黃
4	Orange	橘
3	Red	紅
2	Brown	棕
1	Black	黑
Shell	Braid	編織
Pin#	Wire	

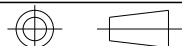
26	Purple/Red	紫/紅
25	Blue/Red	藍/紅
24	Green/Red	綠/紅
23	Yellow/Red	黃/紅
22	Orange/Red	橘/紅
21	Brown/Red	棕/紅
20	Black/Red	黑/紅
19	Gray/White	灰/白
18	Purple/White	紫/白
17	Blue/White	藍/白
Pin#	Wire	

16	Green/White	綠/白
15	Yellow/White	黃/白
14	Orange/White	橘/白
13	Red/White	紅/白
12	Brown/White	棕/白
11	Black/White	黑/白
10	White	白
9	Gray	灰
8	Purple	紫
7	Blue	藍
6	Green	綠
5	Yellow	黃
4	Orange	橘
3	Red	紅
2	Brown	棕
1	Black	黑
Shell	Braid	編織
Pin#	Wire	

24	Green/Red	綠/紅
23	Yellow/Red	黃/紅
22	Orange/Red	橘/紅
21	Brown/Red	棕/紅
20	Black/Red	黑/紅
19	Gray/White	灰/白
18	Purple/White	紫/白
17	Blue/White	藍/白
Pin#	Wire	

Pin Assignments Front View

UNIT:mm



TOLERANCE

±0.50mm

TITLE  
XLOK, A SHLD-0.5A, UHD, CABLE W/O SR

SCALE	2:1	SIZE	A4	SHEET	2	OF	2
REV.	A	WC-REV.		QC: Inspection item			

**Amphenol LTW**  
安費諾亮泰企業股份有限公司

ITEM NO	DWG NO	CUSTOMER	DRAWN BY	CHECKED BY	APPROVED BY	DATE
	ASY-XXBFFM-QL8CXX	ALTW	Sam Ho	Aric Ko	Fred Lee	2024-07-01
						2024-07-01
						2024-07-01

1 2 3 4 5 6 7 8 W10814-03-001A2