

2480661-8 ✓ ACTIVE



TE Internal #: 2480661-8

SMA Cable Assembly, .457 m [1.49 ft], None Cable, 0 – 18 GHz

Operating Frequency, 50 ohm, 18 AWG, 2.16 mm [.085 in]

Diameter, SMA Plug End A

[View on TE.com >](#)

Cable Assemblies > RF Cable Assemblies



Cable Assembly Type: **SMA**

Cable Assembly Length: **.457 m [1.49 ft]**

Cable Color: **None**

Operating Frequency: **0 – 18 GHz**

Impedance: **50 Ω**

Features

Configuration Features

Number of Positions	1
---------------------	---

Contact Features

Contact Underplating Material	Nickel
Contact Mating Area Plating Material	Gold
Contact Base Material	Brass
Center Contact Plating	Gold

Operation/Application

Shielded	Yes
Operating Frequency	0 – 18 GHz

Body Features

Body Plating Material	Gold
Conductor Material	Brass
Conductor Plating Material	Gold
Shield Material	Brass



Cable Color	None
-------------	------

Product Type Features

Cable Assembly Type	SMA
Cable Assembly (End A)	SMA Plug
Cable Assembly (End B)	SMA Plug
Coax Cable Type	EPC-086 Semi-Flex

Other

Cable Assembly Length	.457 m[1.49 ft]
EU RoHS Compliance	Compliant with Exemptions

Electrical Characteristics

Impedance	50 Ω
-----------	------

Dimensions

Wire Size	18 AWG
Outside Cable Diameter	2.16 mm[.085 in]

Usage Conditions

Operating Temperature Range	-55 – 125 °C[-67 – 257 °F]
-----------------------------	----------------------------

Product Compliance

[For compliance documentation, visit the product page on TE.com>](#)

EU RoHS Directive 2011/65/EU	Compliant with Exemptions
EU ELV Directive 2000/53/EC	Not Yet Reviewed
China RoHS 2 Directive MIIT Order No 32, 2016	Restricted Materials Above Threshold
EU REACH Regulation (EC) No. 1907/2006	Current ECHA Candidate List: JUNE 2024 (241) Candidate List Declared Against: JUNE 2024 (241) SVHC > Threshold: Pb (4.75% in Component Part) Article Safe Usage Statements: Do not eat, drink or smoke when using this product. Wash thoroughly after handling. Recycle if possible and dispose of the article by following all applicable governmental regulations relevant to your geographic location.
Halogen Content	Low Bromine/Chlorine - Br and Cl < 900 ppm per homogenous material. Also BFR /CFR/PVC Free
Solder Process Capability	Not reviewed for solder process capability

Product Compliance Disclaimer



This information is provided based on reasonable inquiry of our suppliers and represents our current actual knowledge based on the information they provided. This information is subject to change. The part numbers that TE has identified as EU RoHS compliant have a maximum concentration of 0.1% by weight in homogenous materials for lead, hexavalent chromium, mercury, PBB, PBDE, DBP, BBP, DEHP, DIBP, and 0.01% for cadmium, or qualify for an exemption to these limits as defined in the Annexes of Directive 2011/65/EU (RoHS2). Finished electrical and electronic equipment products will be CE marked as required by Directive 2011/65/EU. Components may not be CE marked. Additionally, the part numbers that TE has identified as EU ELV compliant have a maximum concentration of 0.1% by weight in homogenous materials for lead, hexavalent chromium, and mercury, and 0.01% for cadmium, or qualify for an exemption to these limits as defined in the Annexes of Directive 2000/53/EC (ELV). Regarding the REACH Regulations, TE's information on SVHC in articles for this part number is still based on the European Chemical Agency (ECHA) 'Guidance on requirements for substances in articles' (Version: 2, April 2011), applying the 0.1% weight on weight concentration threshold at the finished product level. TE is aware of the European Court of Justice ruling of September 10th, 2015 also known as O5A (Once An Article Always An Article) stating that, in case of 'complex object', the threshold for a SVHC must be applied to both the product as a whole and simultaneously to each of the articles forming part of its composition. TE has evaluated this ruling based on the new ECHA "Guidance on requirements for substances in articles" (June 2017, version 4.0) and will be updating its statements accordingly.

Compatible Parts



TE Part # 2486513-1
N TYPE TO SMA JACK ST ADAPTER
50 OHM



TE Part # CONSMA002-G
SMA Jack 50 Ohm PCB Through Hole



TE Part # 2486509-1
SMA JACK RA SS H-FREQ 6 GHZ 2-
HOLE FLG



TE Part # 2491393-1
SMA JACK ST SS H-FREQ 18 GHZ 2-
HOLE FLG



TE Part # 2492540-1
SMA Jack to Jack Str Bulkhead SUS
18GHz



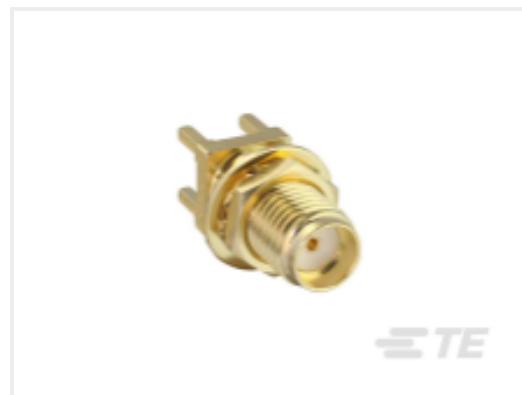
TE Part # 2081156-1
SMA Jack S/T RF CONN, PIP



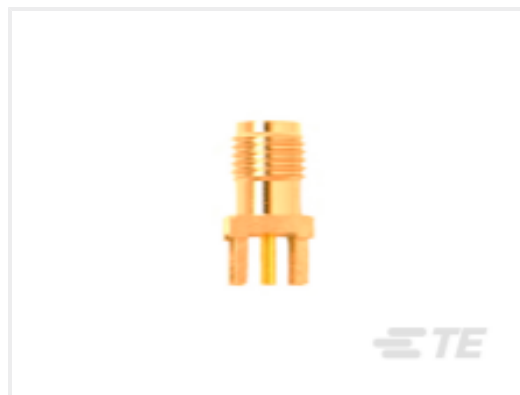
TE Part # CONSMA002-SMD-G-T
SMA Jack 50 Ohm PCB Surface Mount



TE Part # 2486503-1
SMA PLUG TO N TYPE JACK ST SS
ADAPTER



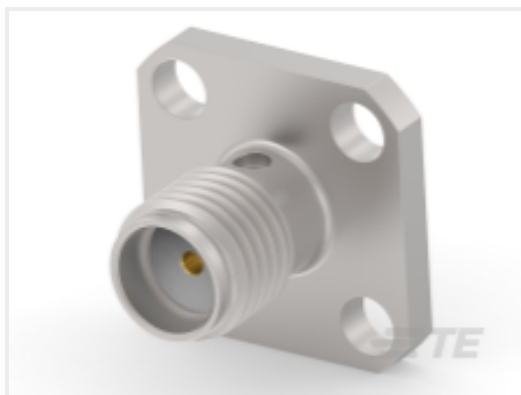
TE Part # CONSMA008-G
SMA Jack 50 Ohm Through Hole PCB



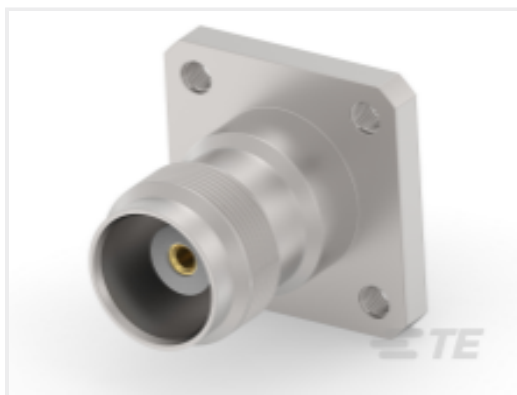
TE Part # CONSMA001-G
SMA Jack 50 Ohm PCB Through Hole



TE Part # CONSMA001-SMD-G
SMA Jack 50 Ohm PCB Surface Mount



TE Part # 2492483-1
SMA Jack St 4-Hole Flange Extended
Recep



TE Part # 2485925-1
SMA JACK TO N TYPE JACK SS FLG
ADAPTER



TE Part # 2492482-1
SMA Jack St 2-Hole Flange Extended
Recep



TE Part # 2492485-1
BMA Jack to SMA Jack BHD Feedthru



TE Part # 2486502-1
SMA JACK RA SS H-REQ 18 GHZ 2-
HOLE FLG



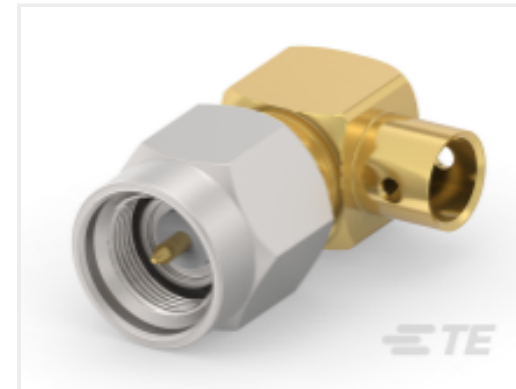
TE Part # 2486508-1
SMA JACK RA SS H-FREQ 6 GHZ 4-
HOLE FLG



TE Part # 2466279-1
SMA Jack Str PCB Thru hole 18 Ghz
Au 50



TE Part # CONSMA001-SMD
SMA Jack 50 Ohm PCB Surface Mount



TE Part # 2486512-1
SMA PLUG RA SOLDER CABLE 50
OHM

Documents

Product Drawings

[SMA M to SMA M Str Hand Formable.086 12"](#)

English

CAD Files

[3D PDF](#)

3D

Customer View Model

[ENG_CVM_CVM_2480661-8_1.3d_igs.zip](#)

English

Customer View Model

[ENG_CVM_CVM_2480661-8_1.3d_stp.zip](#)

English

Customer View Model

[ENG_CVM_CVM_2480661-8_1.2d_dxf.zip](#)

English

By downloading the CAD file I accept and agree to the [Terms and Conditions](#) of use.

Datasheets & Catalog Pages

[dnd-fly-RF-cable-assemblies-product-expansion](#)

English