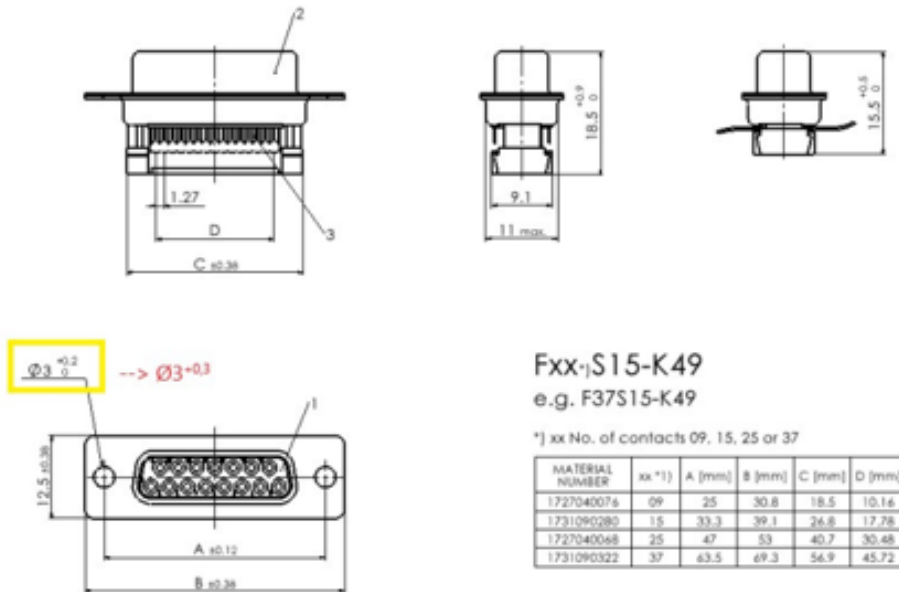


<b>Date Issued :</b>	December 11, 2024	<b>PCN Number :</b>	516322
<b>Reason for Change :</b>	Change to Product		
<b>Description of Change :</b>	The tolerance of the mounting hole $\varnothing 3+0.2$ is widened to $+0.3$ - adaptation of the documents to the product - no critical dimension		
<b>Reason for Short Notice :</b>	Special Request		
<b>Assessment of Change :</b>	No change to parts - Form/Fit/Function		
<b>Planned Implementation Date :</b>	January 06, 2025		
<b>Customer Sample Availability Date:</b>	December 06, 2024		
<b>Last date to request Samples by Customer :</b>	December 13, 2024		
Please note if Samples are not requested as per Customer Samples Request date, it may take additional 4-6 weeks to arrange Samples.			
<b>Traceability Code Markings / Date :</b>	No special marking on the product or packaging		

Before Picture

## Before and After

Before in Yellow – After in Red (Mounting Hole)



After Picture

## Overview

### Description of Change:

We are updating the datasheets as the tolerance of the mounting hole  $\text{Ø}3+0.2$  is widened to  $+0.3$  - adaptation of the documents to the product - no critical dimension

### Product Impact:

There will be no impact on the fit, form, or function of the product, as only the datasheets are updated

### Implementation:

The update will be implemented immediately.

# RELEASED

You may address inquiries regarding this PCN by clicking on the below link  
[mailto:pcn\\_coordinator@molex.com?subject=PCN\\_Notification:516322](mailto:pcn_coordinator@molex.com?subject=PCN_Notification:516322)  
or contact your Local Sales Engineer.

Note: While responding, please retain " PCN Notification : **PCN Notification: 516322** " in the e-mail Subject line for faster response.

[Molex, LLC](#)  
2222 Wellington Court  
Lisle, IL 60532  
TEL (800) 786-6539  
[www.molex.com](http://www.molex.com)