



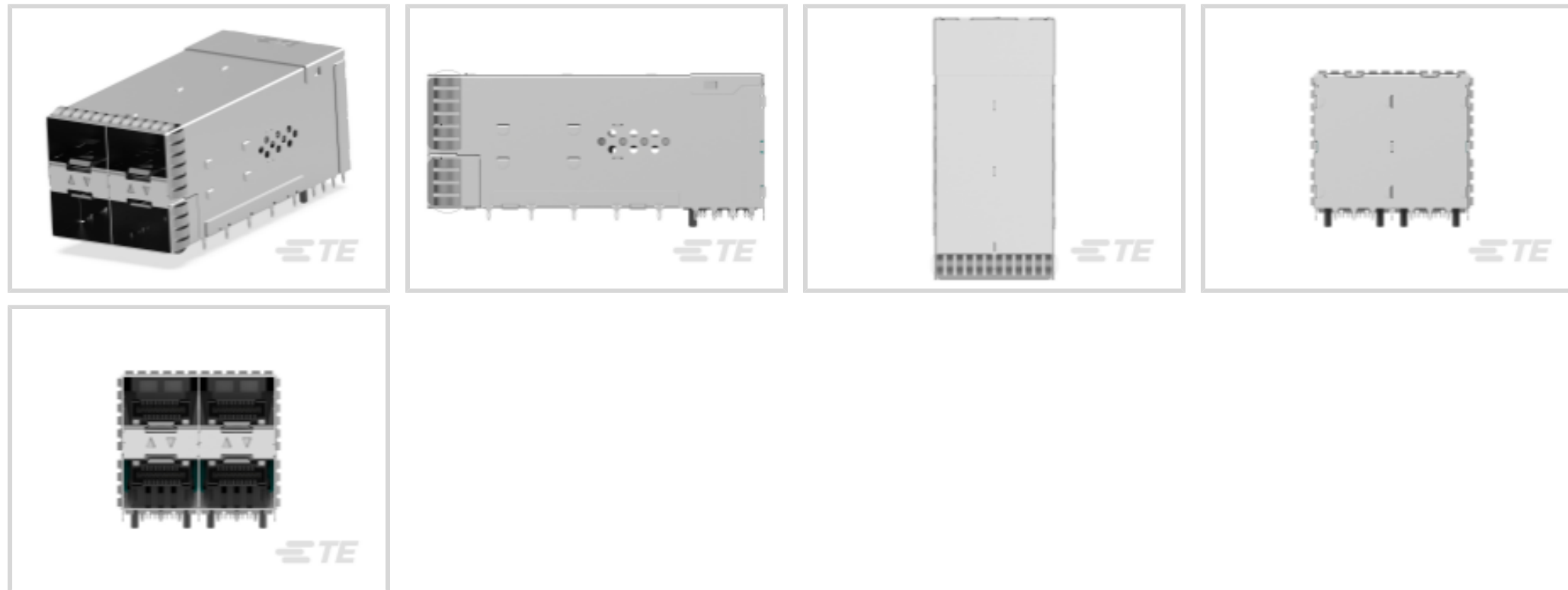
**SFP56**

TE Internal #: 2343522-7

zSFP+ Stacked (SFP56), Cage Assembly with Integrated Connector,  
 .6mm [.018in] Centerline, Signal

[View on TE.com >](#)

Connectors > Pluggable IO Connectors & Cages > SFP56 Stacked Cage Assembly: EMI Spring



Form Factor: **zSFP+ Stacked (SFP56)**

Pluggable I/O Product Type: **Cage Assembly with Integrated Connector**

Centerline (Pitch): **.6 mm [.018 in ]**

Circuit Application: **Signal**

Operating Temperature Range: **-55 – 105 °C [ -67 – 221 °F ]**

[All SFP56 Stacked Cage Assembly: EMI Spring \(48\)](#)

**Features**

**Termination Features**

Termination Method to PCB	Through Hole - Press-Fit
---------------------------	--------------------------

**Operation/Application**

Pluggable I/O Applications	SFP28
Circuit Application	Signal

**Product Type Features**

Cage Type	Stacked
Form Factor	zSFP+ Stacked (SFP56)
Pluggable I/O Product Type	Cage Assembly with Integrated Connector

**Configuration Features**

Number of Positions	20
Number of Ports	4
Port Matrix Configuration	2 x 2

**Electrical Characteristics**



Data Rate (Max)	56 Gb/s
-----------------	---------

### Housing Features

Centerline (Pitch)	.6 mm [.018 in]
--------------------	-----------------

### Usage Conditions

Operating Temperature Range	-55 – 105 °C [-67 – 221 °F]
-----------------------------	-----------------------------

### Other

Included Lightpipe	Yes
--------------------	-----

EMI Containment Feature Type	Internal/External EMI Springs
------------------------------	-------------------------------

EU RoHS Compliance	Compliant
--------------------	-----------

EU ELV Compliance	Compliant
-------------------	-----------

### Product Compliance

[For compliance documentation, visit the product page on TE.com>](#)

EU RoHS Directive 2011/65/EU	Compliant
------------------------------	-----------

EU ELV Directive 2000/53/EC	Compliant
-----------------------------	-----------

China RoHS 2 Directive MIIT Order No 32, 2016	No Restricted Materials Above Threshold
---	---

EU REACH Regulation (EC) No. 1907/2006	Current ECHA Candidate List: JUNE 2024 (241) Candidate List Declared Against: JUNE 2024 (241) Does not contain REACH SVHC
--	---

Halogen Content	Low Bromine/Chlorine - Br and Cl < 900 ppm per homogenous material. Also BFR /CFR/PVC Free
-----------------	--

Solder Process Capability	Not reviewed for solder process capability
---------------------------	--

#### Product Compliance Disclaimer

This information is provided based on reasonable inquiry of our suppliers and represents our current actual knowledge based on the information they provided. This information is subject to change. The part numbers that TE has identified as EU RoHS compliant have a maximum concentration of 0.1% by weight in homogenous materials for lead, hexavalent chromium, mercury, PBB, PBDE, DBP, BBP, DEHP, DIBP, and 0.01% for cadmium, or qualify for an exemption to these limits as defined in the Annexes of Directive 2011/65/EU (RoHS2). Finished electrical and electronic equipment products will be CE marked as required by Directive 2011/65/EU. Components may not be CE marked. Additionally, the part numbers that TE has identified as EU ELV compliant have a maximum concentration of 0.1% by weight in homogenous materials for lead, hexavalent chromium, and mercury, and 0.01% for cadmium, or qualify for an exemption to these limits as defined in the Annexes of Directive 2000/53/EC (ELV). Regarding the REACH Regulation, the information TE provides on SVHC in articles for this part number is based on the latest European Chemicals Agency (ECHA) 'Guidance on requirements for substances in articles' posted at this URL: <https://echa.europa.eu/guidance-documents/guidance-on-reach>

## Compatible Parts

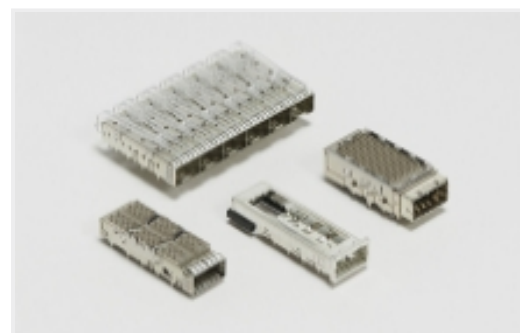


TE Part # 1761394-1  
DUST COVER, SFP, GANGED &  
STACKED

## Also in the Series | SFP56

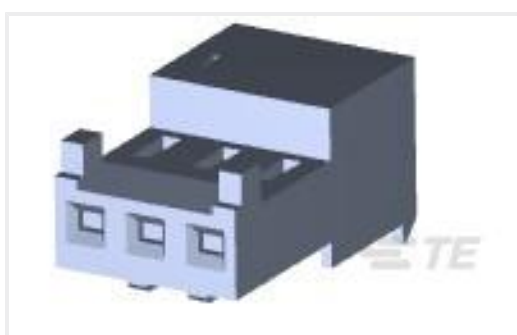


Pluggable I/O Cable Assemblies(17)



Pluggable IO Connectors & Cages(53)

## Customers Also Bought



TE Part #3-643815-3  
03P MTA100 CONN ASSY POL RIB



TE Part #3-640441-2  
02P MTA100 CONN ASSY WHT



TE Part #1-1600960-8  
CONT 8-10 AWG PWR, STD PLATE &



TE Part #2007820-2  
IMP100S,H,V4P10C,UG,OEWS39,4.9



TE Part #2007836-2  
IMP100S,H,V4P16C,UG,OEWS39,4.9



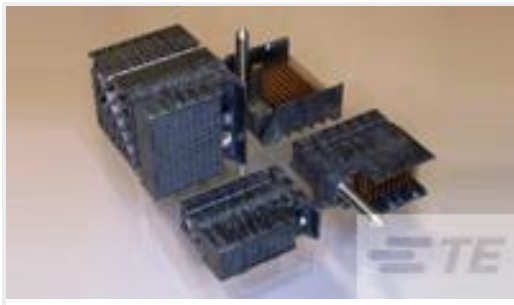
TE Part #2057416-1  
IMP100S,R,RA4P8C,RG,39



TE Part #2057750-2  
IMP100S,H,V2P16C,UG,DEWS39,4.9



TE Part #2057439-2  
IMP100S,H,V4P8C,RG,OEWS39,4.9



TE Part #2057743-2  
IMP100S,H,V2P16C,RG,LEW39,4.9



TE Part #2227671-9  
ZQSFP+ STACKED REC ASSEMBLY  
2X3,4LP R UP

## Documents

### CAD Files

#### 3D PDF

3D

#### Customer View Model

[ENG\\_CVM\\_CVM\\_2343522-7\\_A.2d\\_dxf.zip](#)

English

#### Customer View Model

[ENG\\_CVM\\_CVM\\_2343522-7\\_A.3d\\_igs.zip](#)

English

#### Customer View Model

[ENG\\_CVM\\_CVM\\_2343522-7\\_A.3d\\_stp.zip](#)

English

By downloading the CAD file I accept and agree to the [Terms and Conditions](#) of use.

### Product Specifications

#### Application Specification

English