



enetSEAL+ | DEUTSCH Common Contact

TE Internal #: 1062-16-0144

Socket Terminal, Nickel (Ni), 1.5 mm [.062 in] Pin Diameter, 18 – 14

AWG, .75 – 2 mm² Wire, Family Seal or Unsealed, DEUTSCH

Common Contact

[View on TE.com >](#)

Terminals & Splices > Automotive Terminals > DEUTSCH Size 16 Crimp Contacts



Terminal Type: **Socket**

Interface Plating: **Nickel (Ni)**

Mating Pin Diameter: **1.5 mm [.062 in]**

Terminal Transmits: **0 – 24 A (Low Power)**

Wire Size: **18 – 14 AWG**

[All DEUTSCH Size 16 Crimp Contacts \(32\)](#)

Features

Operation/Application

Compatible With Wire Base Material	Copper
------------------------------------	--------

Packaging Features

Packaging Method	Reel
Packaging Quantity	4000

Termination Features

Termination Method to Wire & Cable	Crimp
Product Terminates To	Wire

Product Type Features

Receptacle Style	180°
Sealable	No
Primary Locking Feature	Integrated in Housing

Dimensions

Compatible Insulation Diameter Range	1.9 – 3.6 mm [.075 – .14 in]
Wire Size	.75 – 2 mm ²
Wire Size Search	2 mm ² , 1 mm ² , 1.5 mm ² , .75 mm ²

Other



Customer Preferred Contact	Yes
Terminal Transmits	0 – 24 A (Low Power)
EU RoHS Compliance	Compliant
EU ELV Compliance	Compliant

Contact Features

Typical Current Rating	13 A
Crimp Type	F-Crimp
Contact Size	Size 16
Contact Fabrication	Stamped & Formed
Wire Contact Termination Area Plating Material	Tin
Terminal Type	Socket
Interface Plating	Nickel (Ni)
Mating Pin Diameter	1.5 mm [.062 in]

Body Features

Terminal Seal Type	Family Seal or Unsealed
--------------------	-------------------------

Usage Conditions

Operating Temperature (Max)	125 °C [257 °F]
Operating Temperature Range	-55 – 150 °C [-67 – 302 °F]

Product Compliance

[For compliance documentation, visit the product page on TE.com>](#)

EU RoHS Directive 2011/65/EU	Compliant
EU ELV Directive 2000/53/EC	Compliant
China RoHS 2 Directive MIIT Order No 32, 2016	No Restricted Materials Above Threshold
EU REACH Regulation (EC) No. 1907/2006	Current ECHA Candidate List: JUNE 2024 (241) Candidate List Declared Against: JUNE 2024 (241) Does not contain REACH SVHC
Halogen Content	Low Halogen - Br, Cl, F, I < 900 ppm per homogenous material. Also BFR/CFR/PVC Free
Solder Process Capability	Not reviewed for solder process capability

Product Compliance Disclaimer

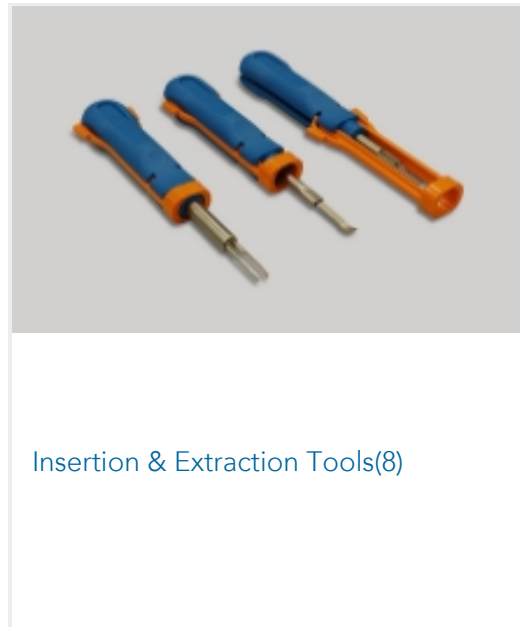
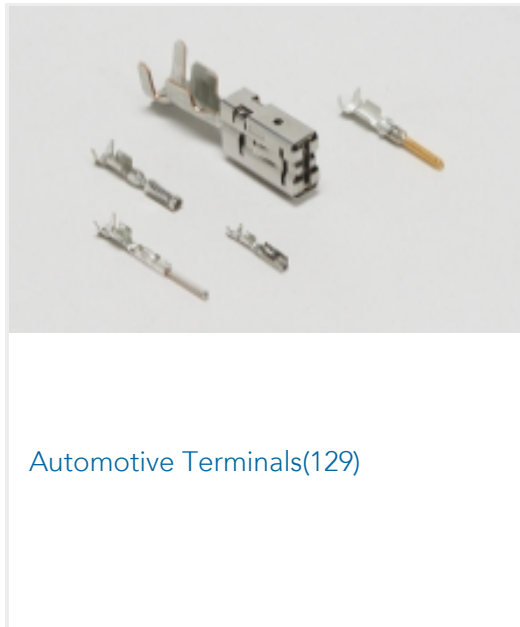
This information is provided based on reasonable inquiry of our suppliers and represents our current actual knowledge based on the information they provided. This information is subject to change. The part numbers that TE has identified as EU RoHS compliant have a maximum concentration of 0.1% by weight in homogenous materials for lead, hexavalent chromium, mercury, PBB, PBDE, DBP, BBP, DEHP, DIBP, and 0.01% for cadmium, or qualify for an exemption to these limits as defined in the Annexes of Directive 2011/65/EU (RoHS2). Finished electrical and electronic equipment products will be CE marked as required by Directive 2011/65/EU. Components may not be CE marked. Additionally, the part numbers that TE has identified as EU ELV compliant have a maximum concentration of 0.1% by weight in homogenous materials for lead, hexavalent chromium, and mercury, and 0.01% for cadmium, or qualify for an exemption to these limits as defined in the Annexes of Directive 2000/53/EC (ELV). Regarding the REACH Regulation, the information TE provides on SVHC in articles for this part number is based on the latest European Chemicals Agency (ECHA) 'Guidance on requirements for substances in articles' posted at this URL: <https://echa.europa.eu/guidance-documents/guidance-on-reach>

Compatible Parts

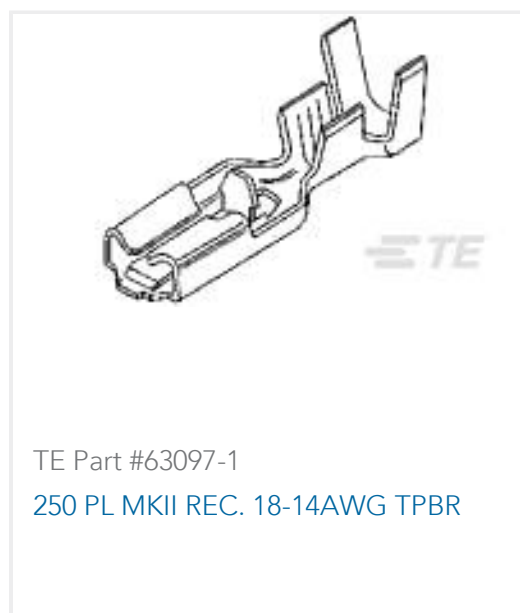
<p>TE Part # AEC16-40SCE PLG, 40P, BLK, E, C</p>	<p>TE Part # AEC16-40SBT-K001 PLG, 40P, BLK, T, BRN CAP, D</p>	<p>TE Part # AEC16-40SCE-E019 PLG, 40P, BLK, E, XCAP, C</p>	<p>TE Part # AEC16-40SAE PLG, 40P, BLK, E, A</p>
 <p>TE Part # 1-2303815-3 DT06-2S-TN32, PLG, 2P, BLK, N, SNAPCAP</p>	 <p>TE Part # 2-2303816-2 DT06-3S-TN81, PLG, 3P, GRY, N, SNAPXCAP</p>	 <p>TE Part # 5-2266104-1 OCEAN_2.0_APPLICATOR-S-090F068O-RSM</p>	 <p>TE Part # 5-2266103-1 OCEAN-2.0-APPLICATOR-S-090F080O-RSM</p>
 <p>TE Part # 5-2266100-1 OCEAN_2.0_APPLICATOR-S-090F126O-RSM</p>	 <p>TE Part # 2455359-2 38POS,Sz16,SOC HSG ASSY,SLD,COD B</p>	 <p>TE Part # 7-2266101-8 OCEAN_2.0_CONVERSIONKIT_DEUTSCH-090F110O</p>	 <p>TE Part # 1-2303815-4 DT06-2S-TE32, PLG, 2P, BLK, E, SNAPCAP</p>
 <p>TE Part # 5-2266101-2 OCEAN_2.0_APPLICATOR-S-090F110O-RSA</p>	 <p>TE Part # DT06-18SD PLG, 18P, BRN, N, D</p>	 <p>TE Part # 1-2303815-2 DT06-2S-TN31, PLG, 2P, GRY, N, SNAPCAP</p>	 <p>TE Part # 2-2303816-1 DT06-3S-TE81, PLG, 3P, GRY, E, SNAPXCAP</p>



Also in the Series | **DEUTSCH Common Contact**



Customers Also Bought



Documents

Product Drawings

SOC, SF, SIZE 16, 14-18, AU/SN

English

CAD Files

3D PDF

3D



Customer View Model

[ENG_CVM_CVM_1062-16-0144_J.2d_dxf.zip](#)

English

Customer View Model

[ENG_CVM_CVM_1062-16-0144_J.3d_igs.zip](#)

English

Customer View Model

[ENG_CVM_CVM_1062-16-0144_J.3d_stp.zip](#)

English

By downloading the CAD file I accept and agree to the [Terms and Conditions](#) of use.

Datasheets & Catalog Pages

[DEUTSCH HD30 & HDP20 CONNECTOR SERIES](#)

English

[CONNECTOR SELECTOR](#)

English

Product Specifications

[Engineering Report](#)

English