

2-2366509-1 ✓ ACTIVE

DEUTSCH | DEUTSCH NTSEAL

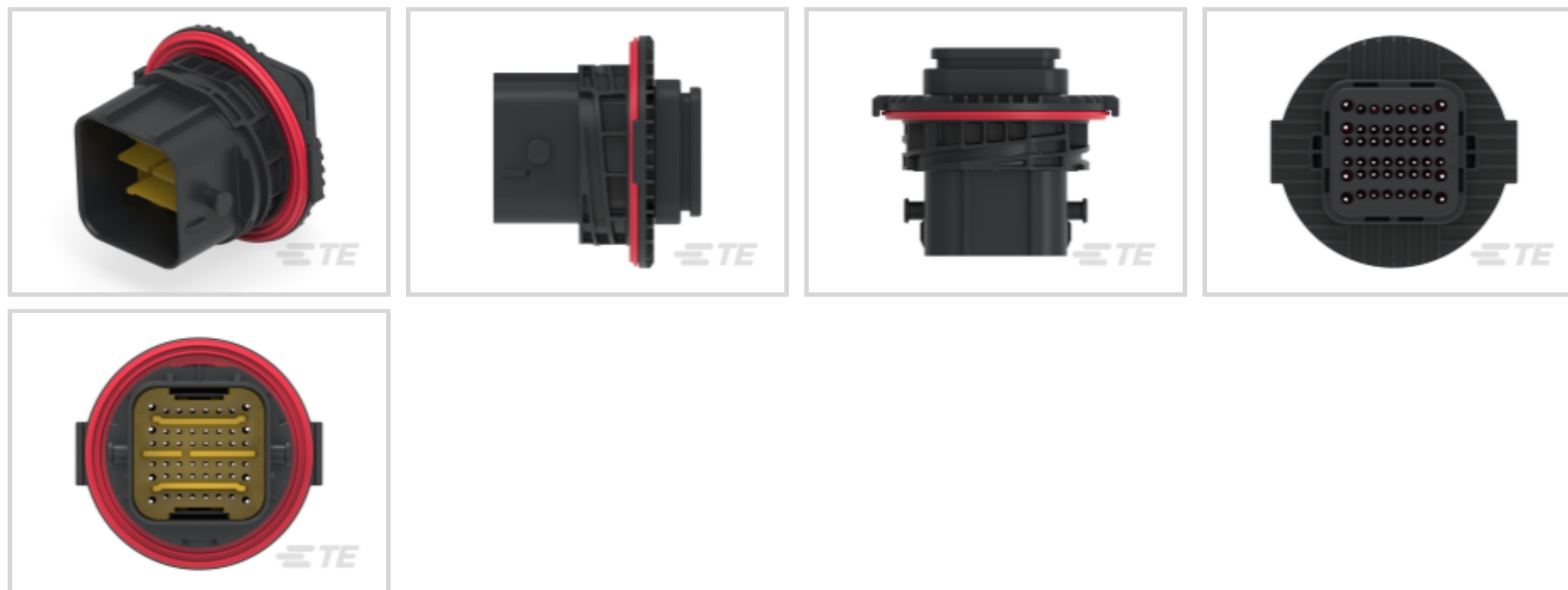
TE Internal #: 2-2366509-1

48 Position Housing, Housing for Male Terminals, Wire-to-Wire, 3.5 mm [.138 in] Centerline, Sealable, Black, Wire & Cable, Power, DEUTSCH NTSEAL

[View on TE.com >](#)



Connectors > Automotive Connectors > Automotive Housings



Number of Positions: **48**

Connector & Housing Type: **Housing for Male Terminals**

Mating Pin Diameter: **1 mm, 1.55 mm [.039 in, .061 in]**

Connector System: **Wire-to-Wire**

Centerline (Pitch): **3.5 mm [.138 in]**

Features

Mechanical Attachment

| | |
|-------------------------|----------------------------|
| Mating Alignment Type | Keyed |
| Mating Alignment | With |
| Connector Mounting Type | Cable Mount (Free-Hanging) |

Contact Features

| | |
|------------------------------|----------------------------------|
| Contact Size | Size 16, Size 20 |
| Contact Type | Pin |
| Mating Pin Diameter | 1 mm, 1.55 mm [.039 in][.061 in] |
| Contact Current Rating (Max) | 13 A |

Product Type Features

| | |
|--------------------------|----------------------------|
| Connector Shape | Rectangular |
| Mixed & Hybrid Connector | Yes |
| Connector & Housing Type | Housing for Male Terminals |
| Connector System | Wire-to-Wire |
| Sealable | Yes |



| | |
|-------------------------|-----------------------|
| Primary Locking Feature | Integrated in Housing |
|-------------------------|-----------------------|

| | |
|-----------------------------------|--------------|
| Connector & Contact Terminates To | Wire & Cable |
|-----------------------------------|--------------|

Configuration Features

| | |
|---------------------|----|
| Number of Positions | 48 |
|---------------------|----|

| | |
|----------------|---|
| Number of Rows | 6 |
|----------------|---|

Electrical Characteristics

| | |
|------------------------------|------|
| Nominal Voltage Architecture | 24 V |
|------------------------------|------|

Body Features

| | |
|-----------------------|-------|
| Primary Product Color | Black |
|-----------------------|-------|

| | |
|-------------------------|---|
| Connector & Keying Code | A |
|-------------------------|---|

Housing Features

| | |
|--------------------|------------------|
| Centerline (Pitch) | 3.5 mm [.138 in] |
|--------------------|------------------|

Usage Conditions

| | |
|-----------------------------|-----------------|
| Operating Temperature (Max) | 125 °C [257 °F] |
|-----------------------------|-----------------|

| | |
|-----------------------------|-----------------------------|
| Operating Temperature Range | -40 – 125 °C [-40 – 257 °F] |
|-----------------------------|-----------------------------|

Operation/Application

| | |
|---------------------|-------|
| Circuit Application | Power |
|---------------------|-------|

Other

| | |
|--------------------------------------|----|
| Connector Position Assurance Capable | No |
|--------------------------------------|----|

| | |
|--------------------|-----------|
| EU RoHS Compliance | Compliant |
|--------------------|-----------|

| | |
|-------------------|-----------|
| EU ELV Compliance | Compliant |
|-------------------|-----------|

Product Compliance

[For compliance documentation, visit the product page on TE.com>](#)

| | |
|------------------------------|-----------|
| EU RoHS Directive 2011/65/EU | Compliant |
|------------------------------|-----------|

| | |
|-----------------------------|-----------|
| EU ELV Directive 2000/53/EC | Compliant |
|-----------------------------|-----------|

| | |
|---|---|
| China RoHS 2 Directive MIIT Order No 32, 2016 | No Restricted Materials Above Threshold |
|---|---|

| | |
|--|--|
| EU REACH Regulation (EC) No. 1907/2006 | Current ECHA Candidate List: JUNE 2024 (241) Candidate List Declared Against: JUNE 2024 (241) SVHC > Threshold: Octamethylcyclotetrasiloxane (D4) (.5% in Component Part) |
|--|--|



Dodecamethylcyclohexasiloxane (D6) (.5% in Component Part)

Decamethylcyclopentasiloxane (D5) (.5% in Component Part)

Article Safe Usage Statements:

Wash thoroughly after handling. Recycle if possible and dispose of the article by following all applicable governmental regulations relevant to your geographic location.

Halogen Content

Low Halogen - Br, Cl, F, I < 900 ppm per homogenous material. Also BFR/CFR/PVC Free

Solder Process Capability

Not reviewed for solder process capability

Product Compliance Disclaimer

This information is provided based on reasonable inquiry of our suppliers and represents our current actual knowledge based on the information they provided. This information is subject to change. The part numbers that TE has identified as EU RoHS compliant have a maximum concentration of 0.1% by weight in homogenous materials for lead, hexavalent chromium, mercury, PBB, PBDE, DBP, BBP, DEHP, DIBP, and 0.01% for cadmium, or qualify for an exemption to these limits as defined in the Annexes of Directive 2011/65/EU (RoHS2). Finished electrical and electronic equipment products will be CE marked as required by Directive 2011/65/EU. Components may not be CE marked. Additionally, the part numbers that TE has identified as EU ELV compliant have a maximum concentration of 0.1% by weight in homogenous materials for lead, hexavalent chromium, and mercury, and 0.01% for cadmium, or qualify for an exemption to these limits as defined in the Annexes of Directive 2000/53/EC (ELV). Regarding the REACH Regulation, the information TE provides on SVHC in articles for this part number is based on the latest European Chemicals Agency (ECHA) 'Guidance on requirements for substances in articles' posted at this URL: <https://echa.europa.eu/guidance-documents/guidance-on-reach>

Compatible Parts

TE Part # 2366517-4
FIX RING,CONN KIT

TE Part # 2378521-1
BACKSHELL,CONN KIT

TE Part # 2366517-3
FIX RING,CONN KIT

TE Part # 2378527-1
BACKSHELL,CONN KIT

TE Part # 2366517-2
FIX RING,CONN KIT

TE Part # 2373921-3
CVTY PLUG,PIN DIA 2.5,CVTY DIA,2.5, BLU

TE Part # 2373921-4
CVTY PLUG,PIN DIA 1.6,CVTY DIA,2.0, GRN

TE Part # 2366517-1
FIX RING,CONN KIT



TE Part # 2366494-1
48POS, HYBRID, SOC HSG ASSY, SLD,
COD A

Also in the Series | DEUTSCH NTSEAL



Automotive Housings(68)



Connector Backshells(7)

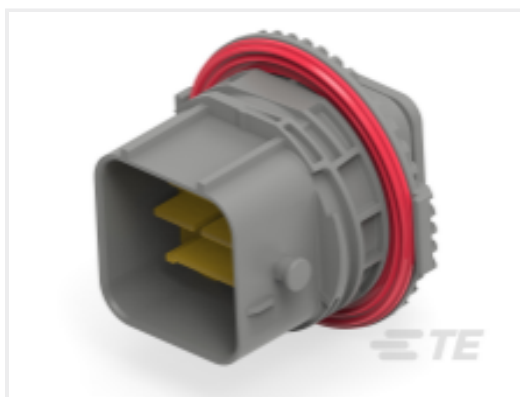


Connector Seals & Cavity Plugs(8)



Other Automotive Connector
Accessories(6)

Customers Also Bought



TE Part #2-2366509-2
48POS, HYBRID, PIN HSG ASSY, SLD,
COD B



TE Part #2366494-1
48POS, HYBRID, SOC HSG ASSY, SLD,
COD A



TE Part #2350891-1
20POS, HYBRID, PIN HSG ASSY, SLD,
COD A



TE Part #2378521-1
BACKSHELL, CONN KIT



TE Part #2378527-1
BACKSHELL, CONN KIT



TE Part #2366517-2
FIX RING, CONN KIT



TE Part #2357302-1
BACKSHELL, CONN KIT



TE Part #2-2350891-1
20POS, HYBRID, PIN HSG ASSY, SLD,
COD A



TE Part #2350890-1
20POS, HYBRID, SOC HSG ASSY, SLD,
COD A



TE Part #2366517-1
FIX RING, CONN KIT



Documents

Product Drawings

[48POS, HYBRID, PIN HSG ASSY, SLD, COD A](#)

English

[48POS, HYBRID, PIN HSG ASSY, SLD, COD A](#)

English

CAD Files

[3D PDF](#)

3D

Customer View Model

[ENG_CVM_CVM_2-2366509-1_B.2d_dxf.zip](#)

English

Customer View Model

[ENG_CVM_CVM_2-2366509-1_B.3d_igs.zip](#)

English

Customer View Model

[ENG_CVM_CVM_2-2366509-1_B.3d_stp.zip](#)

English

By downloading the CAD file I accept and agree to the [Terms and Conditions](#) of use.

Datasheets & Catalog Pages

[NTSEAL Sealed Wire-to-Wire Connectors](#)

English

Product Specifications

[Application Specification](#)

English

Agency Approvals

[UL Report](#)

English