



Connectors > Automotive Connectors > Automotive Connector Accessories > Automotive Connector Caps & Covers > DEUTSCH PCB Enclosures



Protection & Strain Relief Accessory Type: **Connector Enclosure**

Primary Product Color: **Black**

Primary Product Material: **PA66 GF15**

Operating Temperature (Max): **125 °C [257 °F]**

Operating Temperature Range: **-55 – 125 °C [-67 – 257 °F]**

[All DEUTSCH PCB Enclosures \(6\)](#)

## Features

### Industry Standards

IP Rating	IP6K9K, IP68
UL Flammability Rating	UL 94V-0

### Packaging Features

Packaging Method	Package
Packaging Quantity	1

### Product Type Features

Sealable	No
Protection & Strain Relief Accessory Type	Connector Enclosure

### Body Features

Primary Product Color	Black
Primary Product Material	PA66 GF15

### Usage Conditions

Operating Temperature (Max)	125 °C[257 °F]
-----------------------------	----------------

Operating Temperature Range	-55 – 125 °C[-67 – 257 °F]
-----------------------------	----------------------------

### Other

EU RoHS Compliance	Compliant
EU ELV Compliance	Compliant

### Product Compliance

[For compliance documentation, visit the product page on TE.com>](#)

EU RoHS Directive 2011/65/EU	Compliant
EU ELV Directive 2000/53/EC	Compliant
China RoHS 2 Directive MIIT Order No 32, 2016	No Restricted Materials Above Threshold
EU REACH Regulation (EC) No. 1907/2006	Current ECHA Candidate List: JUNE 2024 (241) Candidate List Declared Against: JUNE 2024 (241) Does not contain REACH SVHC
Halogen Content	Not Low Halogen - contains Br or Cl > 900 ppm.
Solder Process Capability	Not reviewed for solder process capability

#### Product Compliance Disclaimer

This information is provided based on reasonable inquiry of our suppliers and represents our current actual knowledge based on the information they provided. This information is subject to change. The part numbers that TE has identified as EU RoHS compliant have a maximum concentration of 0.1% by weight in homogenous materials for lead, hexavalent chromium, mercury, PBB, PBDE, DBP, BBP, DEHP, DIBP, and 0.01% for cadmium, or qualify for an exemption to these limits as defined in the Annexes of Directive 2011/65/EU (RoHS2). Finished electrical and electronic equipment products will be CE marked as required by Directive 2011/65/EU. Components may not be CE marked. Additionally, the part numbers that TE has identified as EU ELV compliant have a maximum concentration of 0.1% by weight in homogenous materials for lead, hexavalent chromium, and mercury, and 0.01% for cadmium, or qualify for an exemption to these limits as defined in the Annexes of Directive 2000/53/EC (ELV). Regarding the REACH Regulation, the information TE provides on SVHC in articles for this part number is based on the latest European Chemicals Agency (ECHA) 'Guidance on requirements for substances in articles' posted at this URL: <https://echa.europa.eu/guidance-documents/guidance-on-reach>

### Compatible Parts



## Also in the Series | DEUTSCH DT



Automotive Connector Caps & Covers (7)



Automotive Housings (109)



Connector Caps & Covers (1)

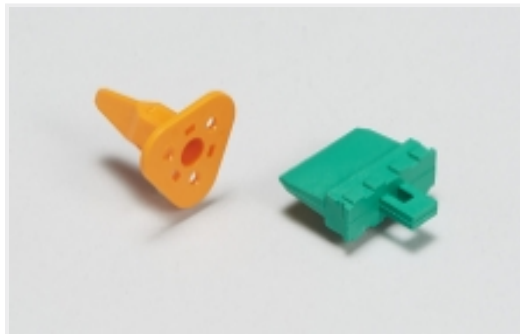


Connector Strain Relief (28)



Rectangular Backshells & Clamps (1)

## Also in the Series | DEUTSCH DTM



Automotive Connector Locks & Position Assurance (26)



Automotive Headers (38)



Automotive Housings (109)



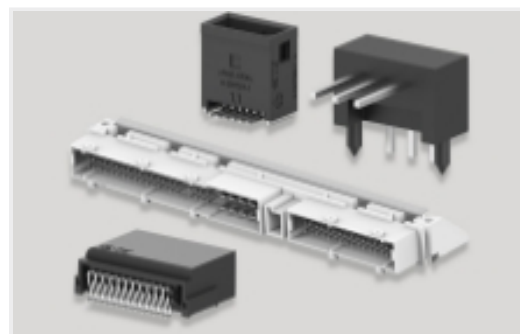
Connector Strain Relief (28)



Insertion & Extraction Tools (2)



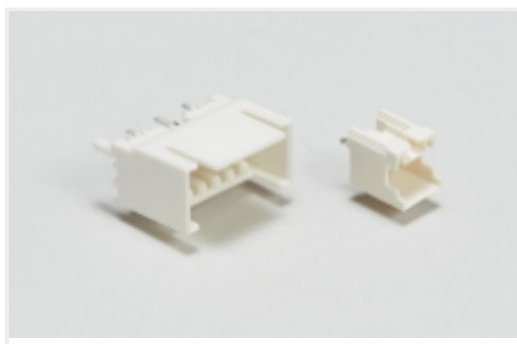
Other Automotive Connector Accessories (7)



PCB Headers & Receptacles (38)



Rectangular Backshells & Clamps (1)



Wire-to-Board Headers & Receptacles  
(38)

## Customers Also Bought



TE Part #DT6S-BT-BK  
BOOT, 6P, PLG, ST, BLK



TE Part #EH2301-000  
DWFR-52/13-0-STK



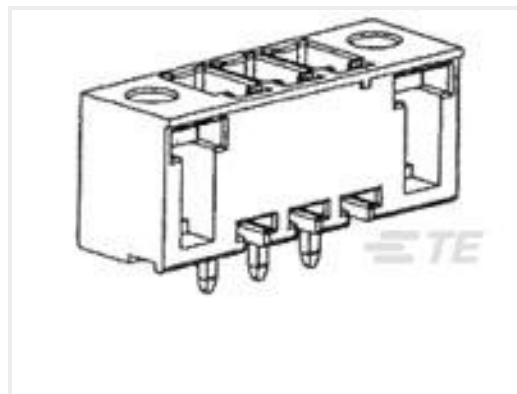
TE Part #DT6P-BT-BK  
BOOT, 6P, REC, ST, BLK



TE Part #HDP26-18-21SN  
PLG, 21P, BLK, N, 20, S



TE Part #7-6474566-3  
FSN-23.75Z-25



TE Part #1986799-4  
4P TERMIBLOK HDR DIR C VITI w/  
KEY FEAT



TE Part #926300-1  
6P UNIV.M-N-L.PLUG



TE Part #HD30-18BT-90-BK  
BOOT, 18SZ, RA, BLK



TE Part #1586359-8  
08P MINIMUMNL GANG WIRE SEAL DR



TE Part #HD30-18BT-BK  
BOOT, 18SZ, ST, BLK

## Documents

### Product Drawings

[ENCLOSURE, 3.25 X 4, BLK, VENT](#)

English

### CAD Files

[3D PDF](#)

3D

### Customer View Model

[ENG\\_CVM\\_CVM\\_EEC-325X4A\\_G.2d\\_dxf.zip](#)



English

**Customer View Model**

[ENG\\_CVM\\_CVM\\_EEC-325X4A\\_G.3d\\_igs.zip](#)

English

**Customer View Model**

[ENG\\_CVM\\_CVM\\_EEC-325X4A\\_G.3d\\_stp.zip](#)

English

By downloading the CAD file I accept and agree to the [Terms and Conditions](#) of use.

---

## Datasheets & Catalog Pages

[TERMINALS AND CONNECTORS](#)

English

[ICT Terminals and Connectors Catalogue](#)

English

[CONNECTOR SELECTOR](#)

English

---

## Product Specifications

[Engineering Report](#)

English