

Multipurpose Diecast Aluminium Enclosures

multicomp PRO

**RoHS
Compliant**



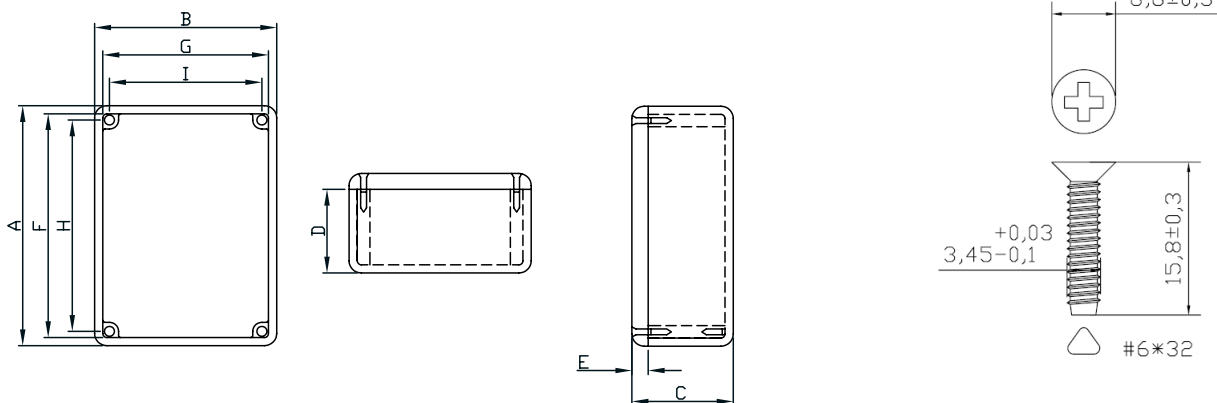
Description

Multipurpose molded aluminium enclosures are used for manufacturing of instruments, net filters, sensors, terminal boxes and other equipment.

Features

- Structural strength, light weight, easy physical treatment
- Ideal for radio equipment and devices that are intended for unfavourable weather conditions
- Ideal for heat-causing devices for the enclosure itself is a perfect heat-remover
- Aluminium alloy 380 (BS1490 LM24)
- Natural colour

Diagram



Dimension Table

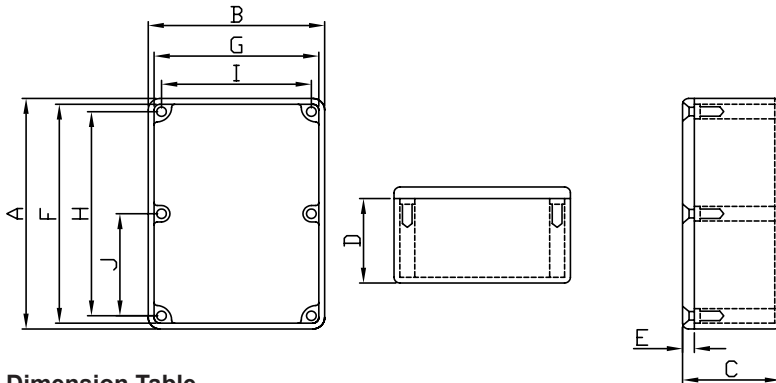
Part Number	A	B	C	D	E	F	G	H	I
MC003550	90	38	30	26	4	86.6	34.6	82.5	28.6
MC003551	111	60	30	26		107.2	56.2	101.6	50.8
MC003552	119	93.5	56.5	52.5		114.2	88.7	109.5	84.1
MC003555	50.8	50.8	31.8	27.8		47.4	47.4	41.2	41.2
MC003556	110	82.5	44.5	40.5		105.2	77.7	100.5	73
MC003557	120.5	80	59.2	55.2		115.7	75.2	111.1	70.5
MC003558	119	93.5	34	30		114.2	88.7	109.5	84.2
MC003559	120.5	120.5	59.2	55.2		115.7	115.7	111.1	111.1
MC003560	120.5	120.5	95.2	91.2		115.7	115.7	111.1	111.1
MC003564	111	60	54	50		107.2	56.2	101.6	50.8

Dimensions : Millimetres

Newark.com/multicomp-pro
Farnell.com/multicomp-pro
sg.element14.com/b/multicomp-pro

multicomp PRO

Multipurpose Diecast Aluminium Enclosures



Dimension Table

Part Number	A	B	C	D	E	F	G	H	I	J
MC003553	187	118	56.5	52.5	4	182.2	113.2	177.8	109.5	88.9
MC003554	187	118	81.7	77.7		182.2	113.2	177.8	109.5	88.9
MC003561	152.4	82.5	50.8	46.8		147.6	77.7	142.5	72.6	71.3
MC003562	187	118	38	34		182.2	113.2	177.8	109.5	88.9
MC003563	190.5	190.5	66.5	62.5		185.7	185.7	180.6	180.6	90.3

Dimensions : Millimetres

Part Number Table

Description	Dimensions L x W x H (mm)	Part Number
Multipurpose Diecast Aluminium Enclosures	90 x 38 x 30	MC003550
	111 x 60 x 30	MC003551
	119 x 93.5 x 56.5	MC003552
	187 x 118 x 56.5	MC003553
	187 x 118 x 81.7	MC003554
	50.8 x 50.8 x 31.8	MC003555
	110 x 82.5 x 44.5	MC003556
	120.5 x 80 x 59.2	MC003557
	119 x 93.5 x 34	MC003558
	120.5 x 120.5 x 59.2	MC003559
	120.5 x 120.5 x 95.2	MC003560
	152.4 x 82.5 x 50.8	MC003561
	187 x 118 x 38	MC003562
	190.5 x 190.5 x 66.5	MC003563
111 x 60 x 54	MC003564	

Important Notice : This data sheet and its contents (the "Information") belong to the members of the AVNET group of companies (the "Group") or are licensed to it. No licence is granted for the use of it other than for information purposes in connection with the products to which it relates. No licence of any intellectual property rights is granted. The Information is subject to change without notice and replaces all data sheets previously supplied. The Information supplied is believed to be accurate but the Group assumes no responsibility for its accuracy or completeness, any error in or omission from it or for any use made of it. Users of this data sheet should check for themselves the Information and the suitability of the products for their purpose and not make any assumptions based on information included or omitted. Liability for loss or damage resulting from any reliance on the Information or use of it (including liability resulting from negligence or where the Group was aware of the possibility of such loss or damage arising) is excluded. This will not operate to limit or restrict the Group's liability for death or personal injury resulting from its negligence. Multicomp Pro is the registered trademark of Premier Farnell Limited 2019.

