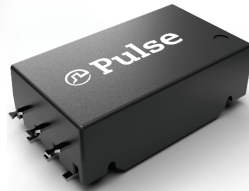
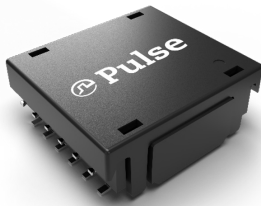


Next Generation approved BMS Transformers

HM2146NL, HM21466/67/68/69NL for NXP, ADI, TI or Infineon x-channel multi-cell battery monitor IC



Features and Benefits:

- ☉ Fully qualified with leading BMS Silicon
- ☉ Transformer only design provides for flexible PCB layout
- ☉ Construction meets IEC 61558 and IEC/UL62368-1
- ☉ High temperature performance up to +125°C
- ☉ Automated Winding and Production Process
- ☉ AEC-Q200 qualified, RoHS and REACH Compliant

Applications:

- ☉ Ideal for Electric Vehicles (EV), Energy Storage (ESS) and marine or aviation transportation.

Electrical Specifications @ 25°C - Operating Temperature -40°C to +125°C

Part Number	Inductance (100kHz, 100mVrms)	Number of Channels	Choke fitted	Isolation breakdown (Pri:Sec)	Working Voltage	Insulation Creepage (mm)	Winding Style	Qualified BMS Silicon
HM2162NL	150 uH min	Dual	YES	4300Vrms / 60sec	1600VDC	Functional	1CT : 1CT	NXP, ADI, Infineon, Texas
HM2166NL	150 uH min	Single	NO	4300Vrms / 60sec	1000VDC	Basic (>10)	1 : 1	NXP, ADI, Infineon, Texas
HM2167HL	150 uH min	Single	NO	3700Vrms / 60sec	1000VDC	Basic (>10)	1CT : 1CT	NXP, ADI, Infineon, Texas
HM2168NL	150 uH min	Dual	NO	4300Vdc / 60sec	1500VDC	Functional	1CT : 1CT	NXP, ADI, Infineon, Texas
HM2169NL	150 uH min	Single	YES	4300Vdc / 60sec	1000VDC	Basic (>10)	1CT : 1CT	NXP, ADI, Infineon, Texas

Additional Electrical performance

Electrical Specifications @ 25°C - Operating Temperature -40°C to +125°C

Part Number	Leakage Inductance (Max)	Winding DCR (Ω)		Insertion Loss	Return Loss Z out = 100 Ω	CMR (dB min)		Insulation Resistance (MOhms)
		PHY Side	Line Side			1 - 10MHz	10- 1000MHz	
HM2162NL	0.50 uH @ 100kHz	0.45 max	0.85 max	-0.25dB max @ 4MHz	-20 dB min @ 4MHz	35 min	20 min	400 MIN
HM2166NL	0.50 uH @ 100kHz	0.45 max	0.45 max	-0.50dB max @ 4MHz	-20 dB min @ 4MHz	-	-	-
HM2167HL	0.50 uH @ 100kHz	0.45 max	0.45 max	-0.50dB max @ 4MHz	-20 dB min @ 4MHz	-	-	-
HM2168NL	0.50 uH @ 100kHz	0.45 max	0.45 max	-0.25dB max @ 4MHz	-20 dB min @ 4MHz	-	-	-
HM2169NL	0.50 uH @ 100kHz	0.45 max	0.85 max	-0.50dB max @ 4MHz	-20 dB min @ 4MHz	35 min	20 min	400 MIN

Notes:

1. Storage Temperature: -50°C to +125°C
2. Compliance to J-STD:
 - A. J-STD-002: Solderability at 245°C Reflow Profile
 - B. J-STD-020: Moisture Sensitive Level 1
 - C. J-STD-075: R7, 245°C Maximum Through Reflow Solder
3. The NL suffix part comes in Tubes with 35pcs per tube. To order tape and reel packaging add a 'T' suffix to the part number (ie: HM2168NL becomes HM2168NLT). Quantity per reel is 350pcs and 500pcs /reel.
4. Header: DAP (Diallyl Phthalate) with flammability Rating UL 94V-0 or better
5. Lead Frame: Cooper Alloy
Under plated: Half Hard Ductile Nickel 50-100" (1.3-2.5um)
Over plated : 100% Tin electro-deposited per ASTM B545 300 - 50u"(8-13um)
Finish : Matte finish 100% Tin solder
6. AEC-Q200 Qualified, PPAP on request

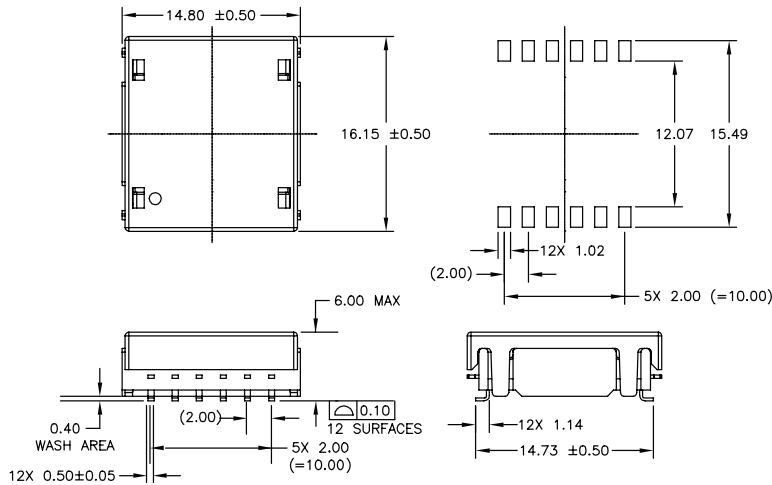
Next Generation approved BMS Transformers

HM2146NL, HM21466/67/68/69NL for NXP, ADI, TI or Infineon x-channel multi-cell battery monitor IC

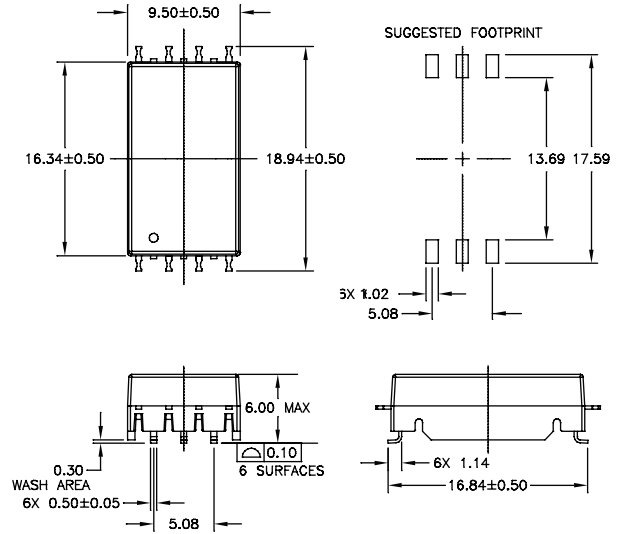


MECHANICALS

HM2162/68NL



HM2166/67/69NL

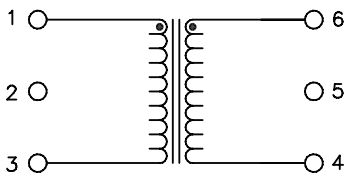


Dimensions:

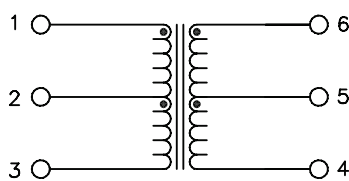
Unless otherwise specified,
all tolerances are $\pm 0,25$

SCHEMATICS

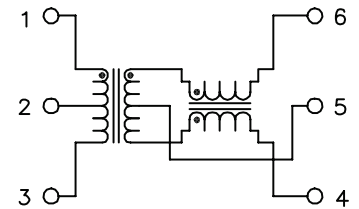
HM2162NL



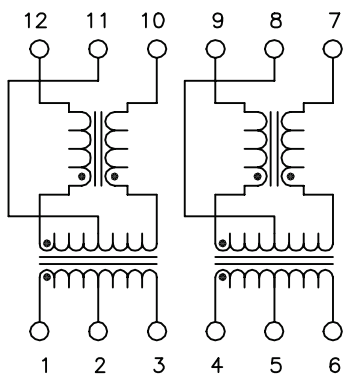
HM2167HL



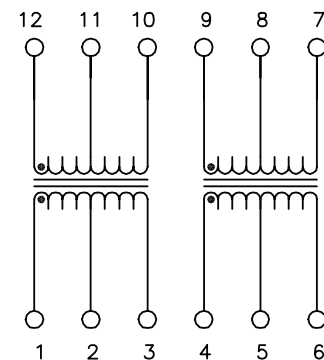
HM2169NL



HM2166NL



HM2168NL

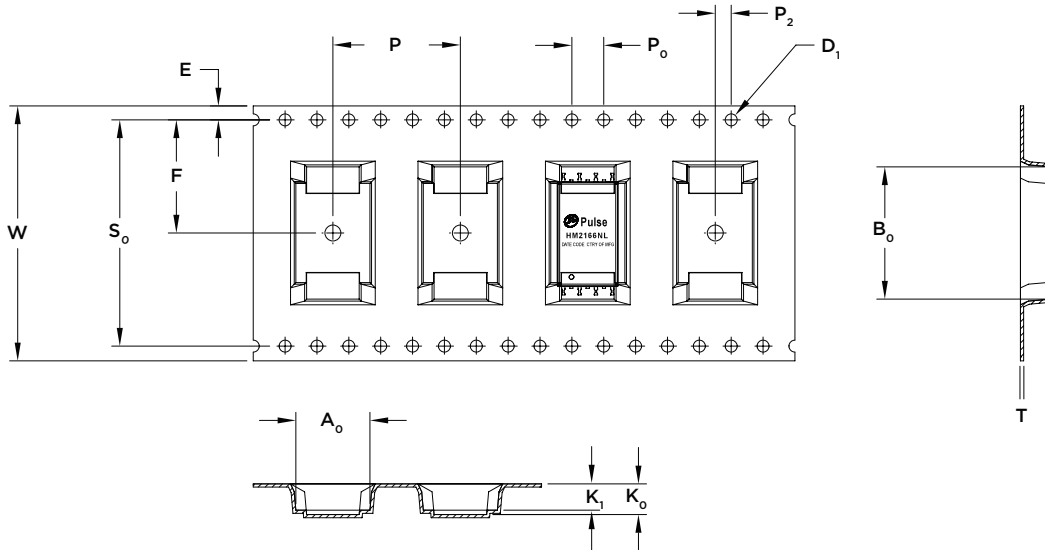


Next Generation approved BMS Transformers

HM2146NL, HM21466/67/68/69NL for NXP, ADI, TI or Infineon x-channel multi-cell battery monitor IC

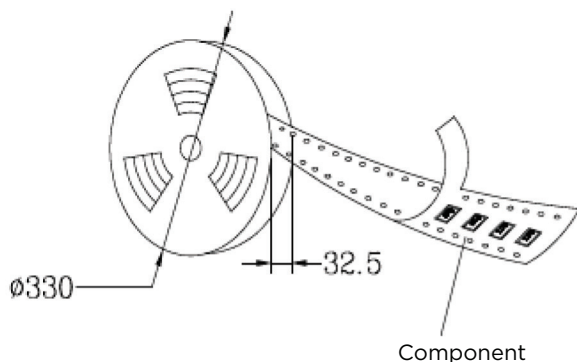
TAPE & REEL

HM2162/66/68/69NL, HM2167HL



HM2166/69NL, HM2167HL							
W	32.0±0.30	P	16.00	A ₀	9.90	B ₀	16.60
S ₀	28.40	P ₀	4.00	A ₁	-----	B ₁	-----
E	1.75	P ₂	2.00	A ₂	-----	B ₂	-----
F	14.20	D ₀	-----	K ₀	6.60	K ₁	5.80
T	0.50±0.05	D ₁	1.50 +0.10 -0.00	QUANTITY PER REEL		500 pcs	

HM2166/69NL, HM2167HL							
W	24.0±0.30	P	24.00	A ₀	16.10	B ₀	15.10
S ₀	28.40	P ₀	4.00	A ₁	-----	B ₁	-----
E	1.75	P ₂	2.00	A ₂	-----	B ₂	-----
F	14.20	D ₀	-----	K ₀	7.00	K ₁	5.60
T	0.50±0.05	D ₁	1.50 +0.10 -0.00	QUANTITY PER REEL		350 pcs	



1. **Material:** Black Conductive Polystyrene
2. **Components per Reel:** see table
3. **Quantity per carton:**
5reels x 350 = 1750 pcs
6reels x 500 = 2500 pcs

All Dimensions meet EIA-481-D requirements.

For More Information:

Americas - prodinfo_network_americas@yageo.com | Europe - prodinfo_network_emea@yageo.com | Asia - prodinfo_network_apac@yageo.com

Performance warranty of products offered on this data sheet is limited to the parameters specified. Data is subject to change without notice. Other brand and product names mentioned herein may be trademarks or registered trademarks of their respective owners. © Copyright, 2024. Pulse Electronics, Inc. All rights reserved.