



### Product Compliance

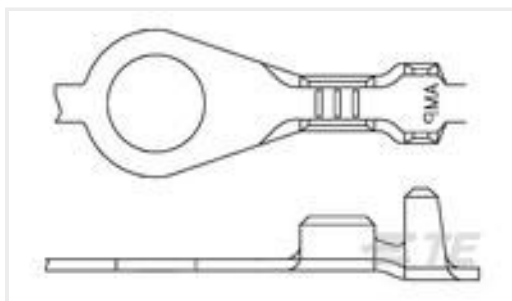
[For compliance documentation, visit the product page on TE.com>](#)

EU RoHS Directive 2011/65/EU	Compliant
EU ELV Directive 2000/53/EC	Compliant
China RoHS 2 Directive MIIT Order No 32, 2016	No Restricted Materials Above Threshold
EU REACH Regulation (EC) No. 1907/2006	Current ECHA Candidate List: JUNE 2024 (241) Candidate List Declared Against: JUNE 2022 (224) Does not contain REACH SVHC
Halogen Content	Not Low Halogen - contains Br or Cl > 900 ppm.
Solder Process Capability	Not applicable for solder process capability

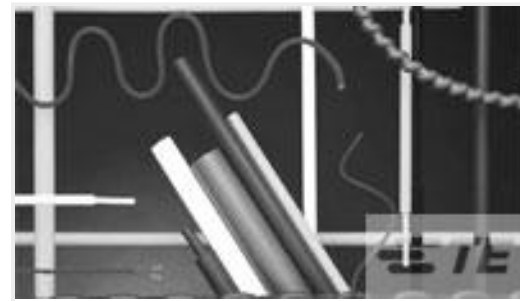
#### Product Compliance Disclaimer

This information is provided based on reasonable inquiry of our suppliers and represents our current actual knowledge based on the information they provided. This information is subject to change. The part numbers that TE has identified as EU RoHS compliant have a maximum concentration of 0.1% by weight in homogenous materials for lead, hexavalent chromium, mercury, PBB, PBDE, DBP, BBP, DEHP, DIBP, and 0.01% for cadmium, or qualify for an exemption to these limits as defined in the Annexes of Directive 2011/65/EU (RoHS2). Finished electrical and electronic equipment products will be CE marked as required by Directive 2011/65/EU. Components may not be CE marked. Additionally, the part numbers that TE has identified as EU ELV compliant have a maximum concentration of 0.1% by weight in homogenous materials for lead, hexavalent chromium, and mercury, and 0.01% for cadmium, or qualify for an exemption to these limits as defined in the Annexes of Directive 2000/53/EC (ELV). Regarding the REACH Regulation, the information TE provides on SVHC in articles for this part number is based on the latest European Chemicals Agency (ECHA) 'Guidance on requirements for substances in articles' posted at this URL: <https://echa.europa.eu/guidance-documents/guidance-on-reach>

### Customers Also Bought



TE Part #880665-2  
RING TONGUE



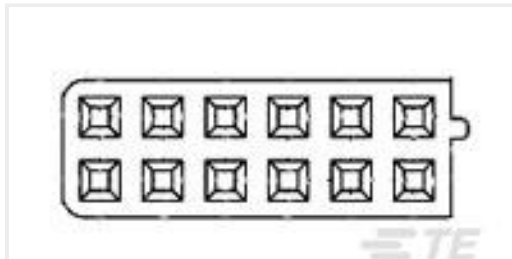
TE Part #5069856066  
CGPT-9.5/4.8-0-30MM



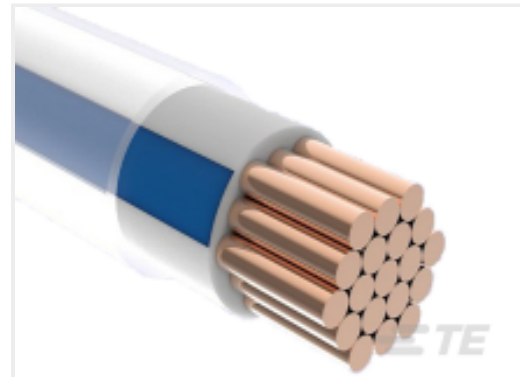
TE Part #CAT-T4827-CH8172  
Timer Connector Housing



TE Part #881016-2  
RING TONGUE 6.0-10.0 MM2 1.00X22.7 TPBR



TE Part #962321-1  
2X6P MOD4 BUCHS-GEH



TE Part #D812093001  
ACW0219-0.50-61(NS)



TE Part #CAT-M8793-T273  
MOS, RECEPTACLE AND TAB

## Documents

### Product Drawings

#### 22P MTA156 COVER F/T

English

### CAD Files

#### 3D PDF

3D

#### Customer View Model

[ENG\\_CVM\\_CVM\\_2-640643-2\\_N.2d\\_dxf.zip](#)

English

#### Customer View Model

[ENG\\_CVM\\_CVM\\_2-640643-2\\_N.3d\\_igs.zip](#)

English

#### Customer View Model

[ENG\\_CVM\\_CVM\\_2-640643-2\\_N.3d\\_stp.zip](#)

English

#### Customer View Model

[ENG\\_CVM\\_2-640643-2\\_R.3d\\_igs.zip](#)

English

#### Customer View Model

[ENG\\_CVM\\_2-640643-2\\_R.3d\\_stp.zip](#)

English

#### Customer View Model

[ENG\\_CVM\\_2-640643-2\\_R.2d\\_dxf.zip](#)

English

#### 3D PDF

English



By downloading the CAD file I accept and agree to the [Terms and Conditions](#) of use.

## Product Specifications

### Application Specification

Japanese

### Application Specification

English

### MTA 156 Ribbon Cable Connector Assemblies (English And Spanish)

English

### MTA 156 Ribbon Cable Connector Assemblies (English And Spanish)

Japanese