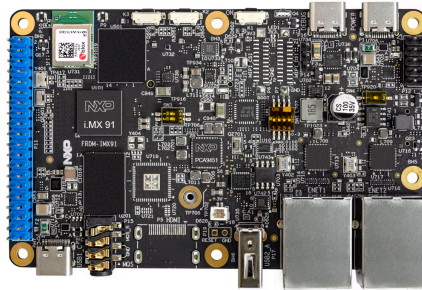


- Overview
- Product
- Documentation
- Design ⓘ
- Support
- BUY OPTIONS
- GET STARTED (/DOCUMENT/GUIDE/GETT
- Home (/) / Details (/products:PCPRODCAT) Resources ⓘ
- / Processors and Microcontrollers (/products/processors-and-microcontrollers:MICROCONTROLLERS-AND-PROCESSORS)
- / Arm Processors (/products/processors-and-microcontrollers/arm-processors:ARM-PROCESSORS)
- /
- i.MX Applications Processors (/products/processors-and-microcontrollers/arm-processors/i-mx-applications-processors:IMX_HOME)
- /
- i.MX 9 Processors (/products/processors-and-microcontrollers/arm-processors/i-mx-applications-processors/i-mx-9-processors:IMX9-PROCESSORS)
- / FRDM i.MX 91

FRDM i.MX 91 Development Board

FRDM-IMX91 NEW ACTIVE Receive alerts ⓘ



Roll over image to zoom in

assets/ima board-ima assets/ima board-ima assets/ima board-ima

The FRDM i.MX 91 development board is a low-cost and compact development board featuring the i.MX91 applications processor. Equipped with an onboard IW610 module, featuring NXP's Tri-Radio solution with Wi-Fi 6 + Bluetooth Low Energy 5.4 + 802.15.4, the board is ideal for developing modern Industrial and IoT applications. This development board includes LPDDR4, eMMC storage for quick boot times, PMIC and expansion capabilities.

The FRDM iMX91 is a part of NXP's developer experience that includes support for Debian, Yocto & GoPoint for Applications Processors.

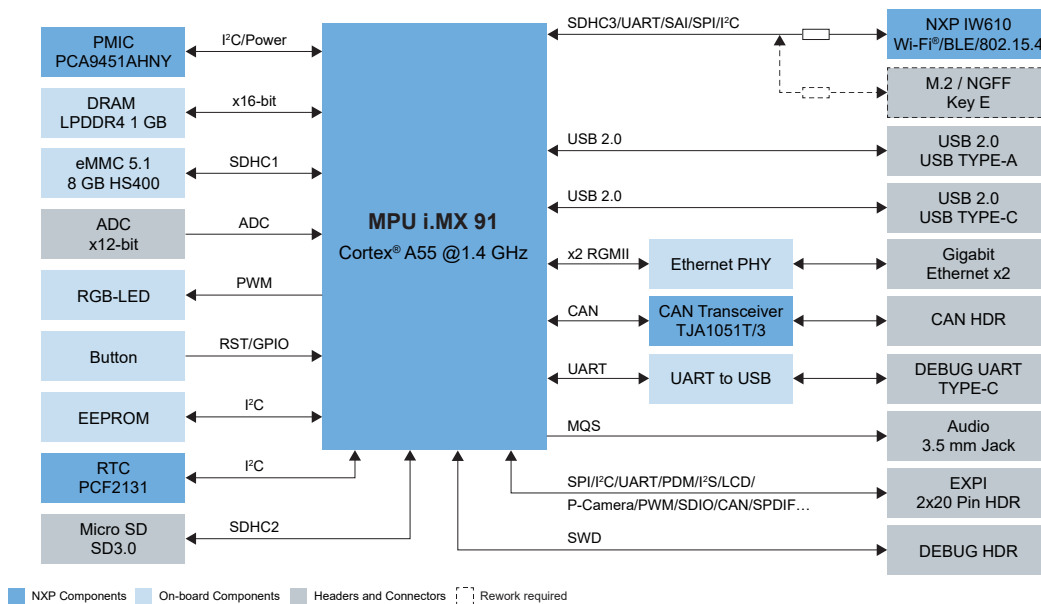
[DESIGN FILES](#)
[SOFTWARE](#)

Product Details

[Block Diagram](#) |
 [Supported Devices](#) |
 [Features](#) |
 [Applications](#)

Block Diagram

FRDM i.MX 91 development board



[GET DIAGRAM PDF \(/ASSETS/BLOCK-DIAGRAM/EN/FRDM-IMX91.PDF\)](#)



Supported Devices

[Overview](#)
[Product Details](#)
[Documentation](#)
[Design Resources](#)
[Support](#)
[BUY OPTIONS](#)
[GET STARTED \(/DOCUMENT/GUIDE/GETT](#)

Analog and Mixed Signal

Real-Time Clocks

- **PCF2131** (/products/PCF2131): Nano-Power Highly Accurate RTC with Integrated Quartz Crystal

Interfaces

General Purpose I/O (GPIO)

- **PCAL6524** (/products/interfaces/ic-spi-i3c-interface-devices/general-purpose-i-o-gpio/ultra-low-voltage-translating-24-bit-fm-plus-ic-bus-smbus-i-o-expander:PCAL6524): Ultra-Low-Voltage Translating 24-Bit Fm+ I²C-Bus/SMBus I/O Expander
- **PCAL6408A** (/products/interfaces/ic-spi-i3c-interface-devices/general-purpose-i-o-gpio/low-voltage-translating-8-bit-ic-bus-smbus-i-o-expander:PCAL6408A): Low-Voltage Translating, 8-Bit I²C-Bus/SMBus I/O Expander

3.3 V / 5 V IO CAN Transceivers

- **TJA1051** (/products/interfaces/can-transceivers/can-with-flexible-data-rate/high-speed-can-transceiver:TJA1051): High-Speed CAN Transceiver

Power Management

PMICs

- **PCA9451A** (/products/PCA9451A): PCA9451A Power Management IC for i.MX 93x/91x Application Processor

Processors and Microcontrollers

i.MX 9 Processors

- **i.MX91** (/products/i.MX91): Secure, Energy-Efficient i.MX 91 Family Brings Essential Linux® Capabilities for Thousands of Edge Applications

Features

Processor

- i.MX 91 Applications Processor
- Cortex-A55 @1.4G
- EdgeLock® Secure Enclave

Memory

- 1 GB LPDDR4
- 8 GB eMMC5.1
- MicroSD slot
- EEPROM



Display and Camera Interfaces

- Parallel RGB LCD interface (40-pin Expansion Interface)
- Parallel Camera interface (40-pin Expansion Interface)

[Overview](#)[Product
Details](#)[Documentation](#)[Design
Resources](#)[Support](#)[BUY OPTIONS](#)[GET STARTED \(/DOCUMENT/GUIDE/GETT](#)**Wireless**

- u-blox MAYA-W476-00B Tri-Radio Wi-Fi 6, Bluetooth LE 5.4, and 802.15.4 module
- Dual-Band 2.4GHz / 5 GHz Wi-Fi
- 802.15.4 radio supporting Thread and Zigbee
- Matter over Wi-Fi and Thread

Audio

- 3.5mm headphone jack for MQS support

Connectivity

- USB2.0 Type-C connector
- USB2.0 type A connector
- GbE RJ45 x 2
- CAN (HDR)
- 40-pin(2x20)
- Expansion Interface
- I²C HDR
- ADC HDR

Debug

- SWD connector
- UART via USB-Type C

Tools and OS Support

- Linux®
- FreeRTOS

Less ^

Applications**Automotive**[Audio and Speech Recognition](#)[Domain Controller Compute Off-load Engine](#)[Driver Monitoring Systems \(DMS\) and Occupant Monitoring Systems \(/applications/DRIVER-MONITORING-SYSTEMS\)](#)**Consumer**[Air Conditioning \(AC\) \(/applications/AIR-CONDITIONING\)](#)[Audio/Video \(AV\) Receivers](#)[Major Home Appliances \(/applications/consumer/home-appliances/major-home-appliance:MAJOR-HOME-APPLIANCE\)](#)[Robotic Appliance \(/applications/consumer/home-appliances/robotic-appliance:ROBOTIC-APPLIANCE\)](#)[Small and Medium Appliances](#)[\(/applications/consumer/home-appliances/small-and-medium-appliance:SMALL-MEDIUM-APPLIANCE\)](#)**Industrial**[Building Safety Detectors \(/applications/BUILDING-SAFETY\)](#)