



# PUIaudio



Data Sheet

LAI-1441-TB-WP

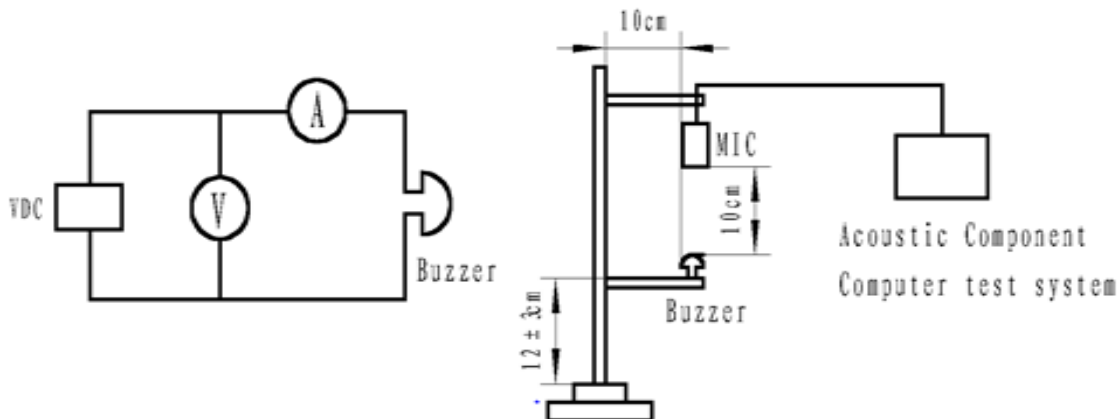
PUI Audio's Lighted Buzzer is designed for low current consumption while delivering high output at 4100 Hz in a small through hole package.

- Low current draw of less than 12 mA at 12 VDC
- Minimum 83 dBA output with 12 VDC input
- -20°C to +100°C operating temperature

## Specifications

Parameters	Values	Units
Rated Voltage	12	VDC
Operating Voltage Range	6 ~ 15	VDC
Current Draw at Rated Voltage	≤12	mA
Minimum SPL @ 10cm	≥83	dBA
Resonant Frequency	4100 ± 500	Hz
Housing Material	PBT transparent	-
Weight	1	Grams
Tone	Constant	-
LED Color	Blue	-
Environmental Compliances	RoHS	-
IP Rating (Waterproof)	IP68	-
Storage Temperature	-30 ~ +110	°C
Operating Temperature	-20 ~ +100	°C

## Measurement Method (12 VDC, 10cm)

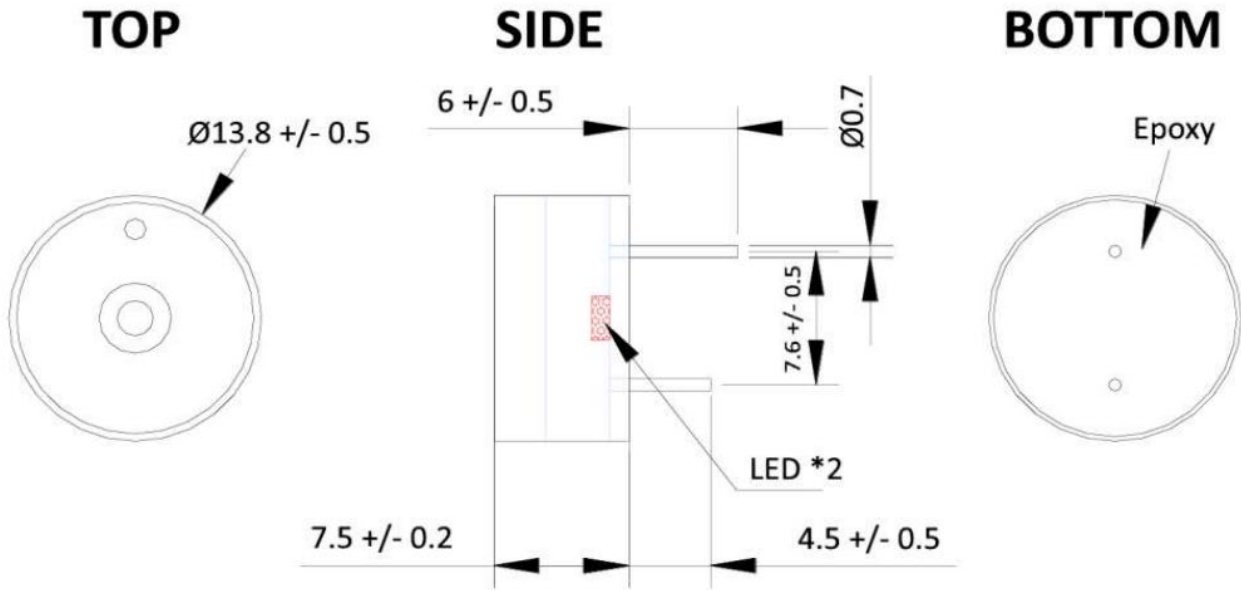


## Reliability Testing

Type of Test	Test Specifications
High Temperature Test	The part shall be capable of withstanding a storage temperature of +80°C for 96 hours
Low Temperature Test	The part shall be capable of withstanding a storage temperature of -40°C for 96 hours
Humidity Test	40±2°C, 90~95% RH, 96 hours
Temperature Cycle Testing	Total 5 cycles, 1 cycle containing: -40±2°C, 30 minutes 20±5°C, 15 minutes 80±2°C, 30 minutes 20±5°C, 15 minutes
Vibration Test	The part shall be subjected to a vibration cycle of 10Hz in a period of 1 minute. Total peak amplitude shall be 1.52 mm (9.3g). The vibration test shall consist of 2 hours per plane in each three mutually perpendicular planes for a total time of 6 hours
Shock Test	Part shall be measured after being applied a shock (980m/s <sup>2</sup> ) for each three mutually perpendicular directions to each of 3 times by half sine wave.
Drop Test	Drop part from 700mm height onto the surface of 10mm thick wooden board. 2 directions-upper and side of the part are to be applied.
Solderability Test	Soldering temp.:260±5°C Heat applying time: 3±0.5sec.

**After the test the part shall meet specifications without any degradation in appearance and performance except SPL shall be initial value±5dB.**

**Dimensions** (Tolerance:  $\pm 0.5\text{mm}$  Except when Specified)



**Packaging**

100 pcs / tray

**Specifications Revisions**

Revision	Description	Date
A	Released from Engineering	12/19/2024

Note:

- Unless otherwise specified:
  - All dimensions are in millimeters.
  - Default tolerances are  $\pm 0.5\text{mm}$  and angles are  $\pm 3^\circ$ .
- Specifications subject to change or withdrawal without notice.