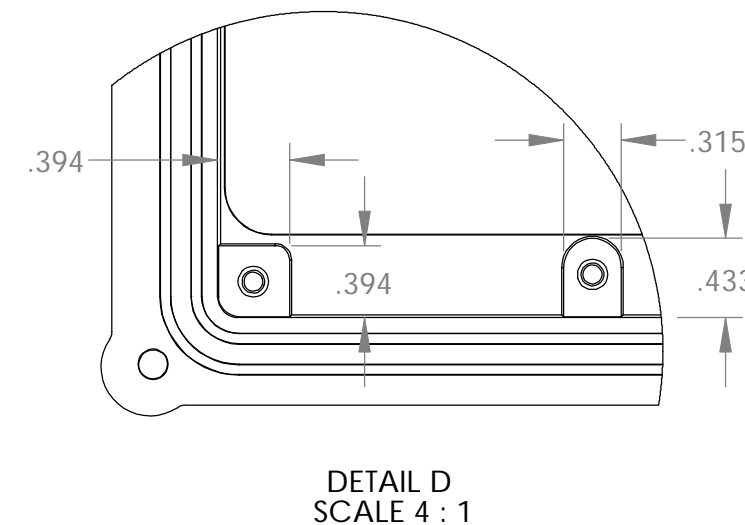


Φ .125 x .315 DEEP BLIND HOLE  
(6x) IN BODY  
(4x) IN COVER  
{ACCEPTS M3.5 x 6mm (.236") LG.  
SELF-TAPPING SCREWS (NOT SUPPLIED)}

Φ .176 x .315 DEEP BLIND HOLE (2x)  
{ACCEPTS M5 x 10mm (.394") LG.  
SELF-TAPPING SCREWS (NOT SUPPLIED)}



MEETS NEMA 1, 2, 4, 4X, 12, 13 AND IP65 RATINGS

MATERIAL - ALUMINUM ALLOY ADC-12

FINISH - NATURAL (NO SUFFIX PART NO.)  
- SMOOTH BLACK (-B SUFFIX PART NO.)

TOLERANCES: ALL HOLE DIAMETERS ±.005  
ALL OTHER DIMENSIONS ±.015